

# 214w-10 Yeti Cap



## Suggested yarn:

- Pierrot Yarns Momo Little [100% merino; 118yds/108m per 1.06oz/30g skein]; color #09 greige, 1 skein [25g]
- Pierrot Yarns Savon [100% nylon; 61yds/56m per 1.41oz/40g skein]; color #02 nude beige, 2 skeins [75g]

## Tools/Notions:

- 7.0mm (no US equivalent) crochet hook or size necessary to achieve gauge
- 7.0mm (no US equivalent) knitting needles or size necessary to achieve gauge
- 3.9mm (approx. US 6), 4.5mm (US 7), and 7.0mm (no US equivalent) double-pointed knitting needles or sizes necessary to achieve gauge

## Finished measurements:

- Please refer to finishing schematic.

## Gauge (10cm/4" square):

- stockinette stitch (with 2 strands of Savon yarn): 10 sts and 10 rounds

*Gauge may vary according to individual knitting style. Change needle size if necessary to achieve gauge. Alternatively, rework pattern with your own gauge measurements.*

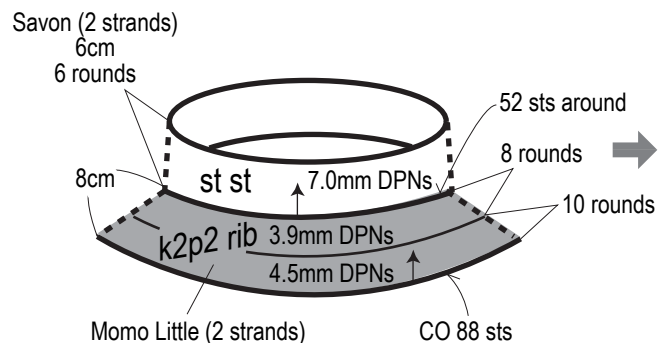
## Summary

**Body of balaclava:** With 2 strands of Momo Little held together, cast on with long-tail cast-on method and join into the round. Work in k2p2 ribbing in the round. Change to Savon (also using 2 strands of yarn held together) and work 56 sts around for 6 rounds. Bind off 16 sts, then work remaining 34 sts back-and-forth for 34 rows. Crochet a chain of 17 chain sts to connect the two ends of the 34-st section (see schematic). Work top in the round, decreasing according to schematic. With 2 strands of Savon held together, crochet sc edging around face opening.

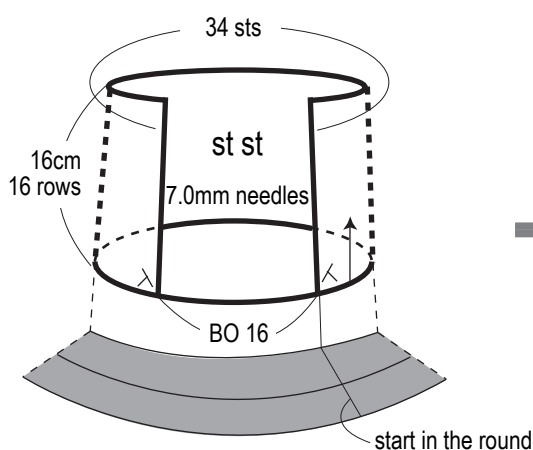
## Abbreviations:

BO = bind off   ch = chain stitch   CO = cast on   k = knit   p = purl   PU = pick up   RE = round(s) even   sc = single crochet (US)   st st = stockinette stitch  
#-#-#-# = rounds-stitches-places-times [for evenly spaced decreases across entire width of an item]. For example, 1-2-3-4 means "every 1 row, decrease 2 stitches in each of 3 places across the round; do this 4 times total."

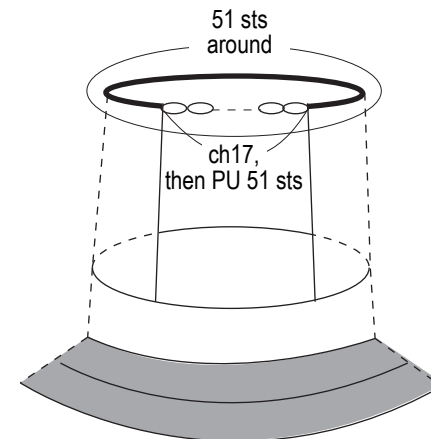
## Yeti Cap instructions (in order)



① CO 88 sts with 2 strands of Momo Little and work k2p2 ribbing in the round. Change needle size, then continue in stockinette stitch with 2 strands of Savon (now with 52 sts).

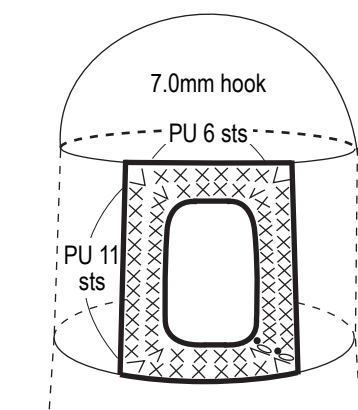
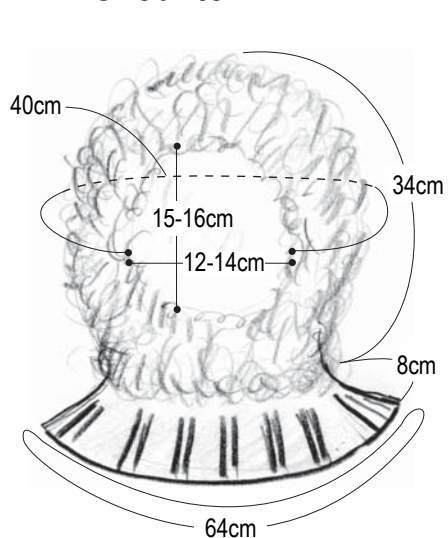


② With 2 strands of Savon held together, BO 16 sts, then work 16 rows with remaining 34 sts.



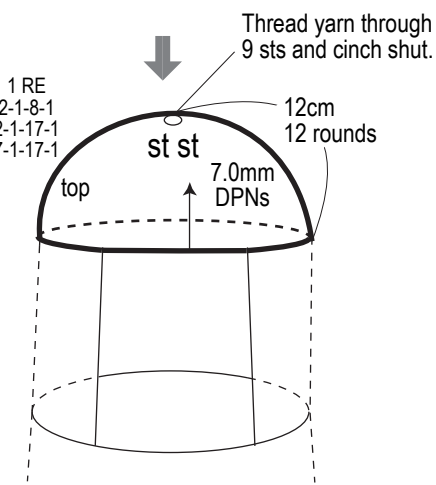
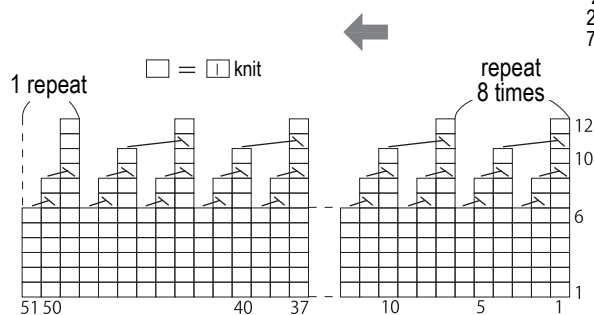
③ With 2 strands of Savon held together, connect top row at each end by working 17 ch sts. Begin working in the round again by picking up 17 knit sts from the 17 ch sts (51 sts total in final round).

## Finished item



⑤ With 2 strands of Savon held together, work 2 rounds of sc around face opening.

## Top decreases 7.0mm DPNs



④ With 2 strands of Savon held together, work 51 sts in the round for 6 rounds. On next round, begin working decreases as indicated. After final round, thread yarn tail through all remaining stitches and cinch top shut tightly.