

214w-12 Herringbone Sweater



Suggested yarn:

- Pierrot Yarns Foire DK [100% wool; 90yds/82m per 1.41oz/40g skein];
 - ladies' medium: color #21 ivory, 10 skeins [400g]
 - ladies' large: color #21 ivory, 10 skeins [430g]
 - girls' medium: color #21 ivory, 10 skeins [235g]
 - girls' large: color #21 ivory, 10 skeins [250g]

Tools/Notions:

- 3.6mm (approx. US 5) and 4.2mm (approx. US 6) knitting needles or sizes necessary to achieve gauge
- 3.6mm (approx. US 5) double-pointed knitting needles or size necessary to achieve gauge
- cable needle

Finished measurements:

- | | | | |
|---|--|---|--|
| • ladies' medium: <ul style="list-style-type: none">• bust 92cm/36.22"• cross back width 36cm/14.17"• back length 55.5cm/21.85"• sleeve length 54cm/21.26" | • ladies' large: <ul style="list-style-type: none">• bust 98cm/38.58"• cross back width 38cm/14.96"• back length 58.5cm/23.03"• sleeve length 56cm/22.05" | • girls' medium: <ul style="list-style-type: none">• chest 72cm/28.35"• cross back width 26.5cm/10.43"• back length 40cm/15.75"• sleeve length 36cm/14.17" | • girls' large: <ul style="list-style-type: none">• chest 78cm/30.71"• cross back width 28.5cm/11.22"• back length 43cm/16.93"• sleeve length 39cm/15.35" |
|---|--|---|--|

Gauge (10cm/4" square):

- pattern stitch: 24 sts and 28 rows
- k1p1 ribbing: 20 sts and 30 rows

Gauge may vary according to individual knitting style. Change needle size if necessary to achieve gauge. Alternatively, rework pattern with your own gauge measurements.

Summary

Body & sleeves: Cast on with long-tail cast-on method. Work in k1p1 ribbing. Continue in pattern stitch.

Finishing: Seam shoulders with crochet slip stitch seam. Seam sides and sleeve undersides with mattress stitch. Pick up stitches around neckline & work edging in k1p1 ribbing in the round. Bind off in pattern. Seam sleeves to body with crochet slip stitch seam.

Abbreviations:

BO = bind off CO = cast on PU = pick up RE = row(s) even ### = rows-stitches-times

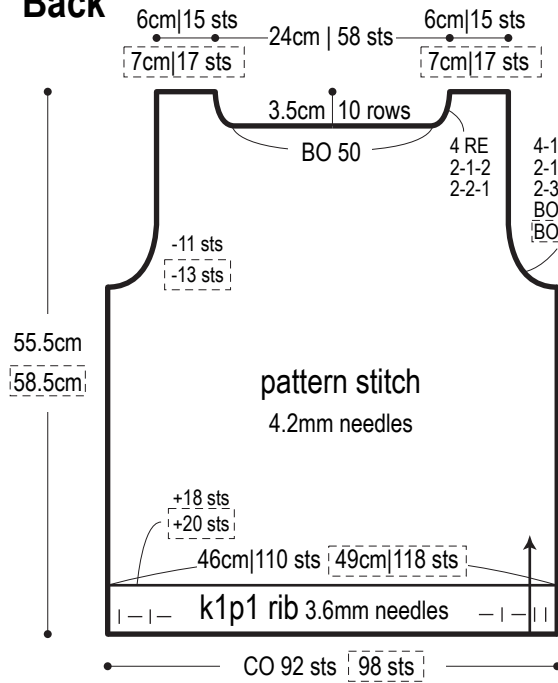
Ladies' size

no outline = ladies' medium and girls' medium

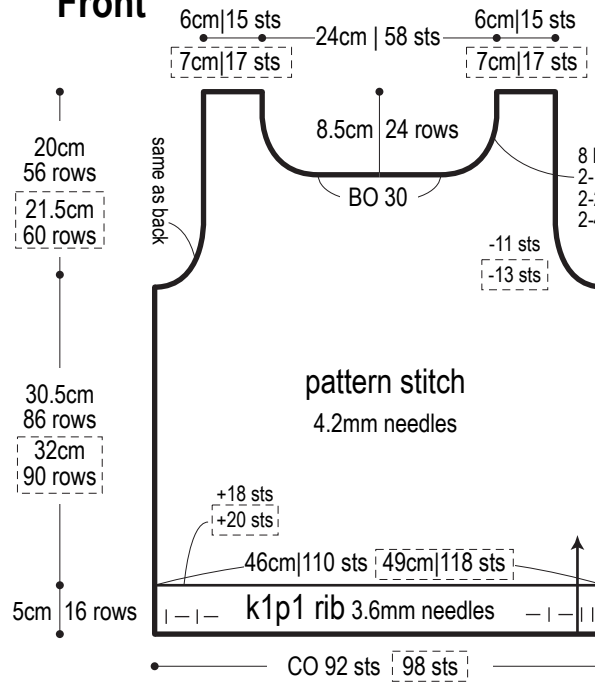
--- = ladies' large and girls' large

※Where only one set of numbers is given, it refers to all sizes.

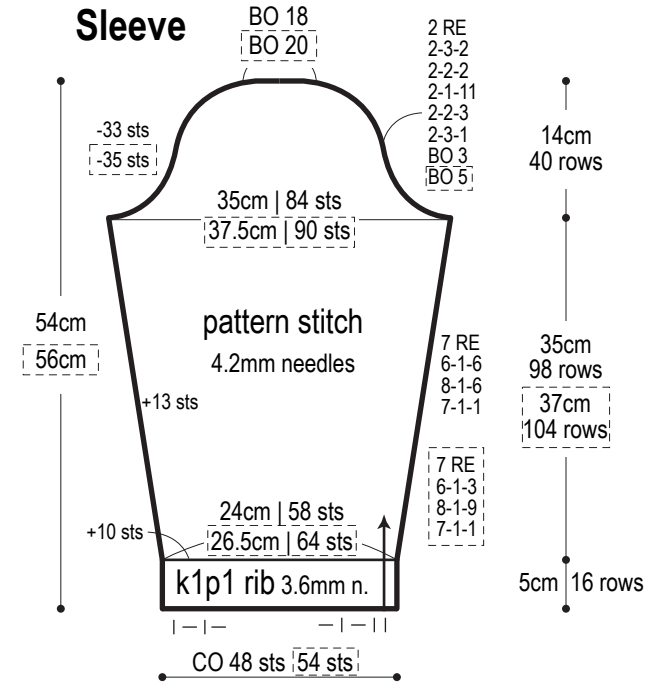
Back



Front

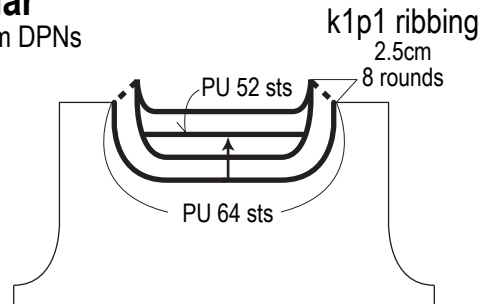


Sleeve



Collar

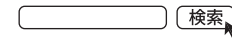
3.6mm DPNs



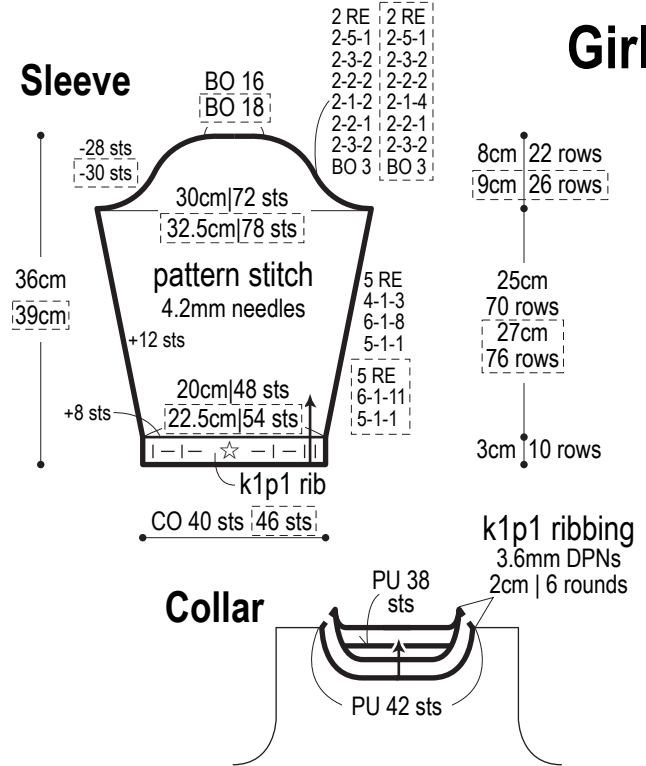
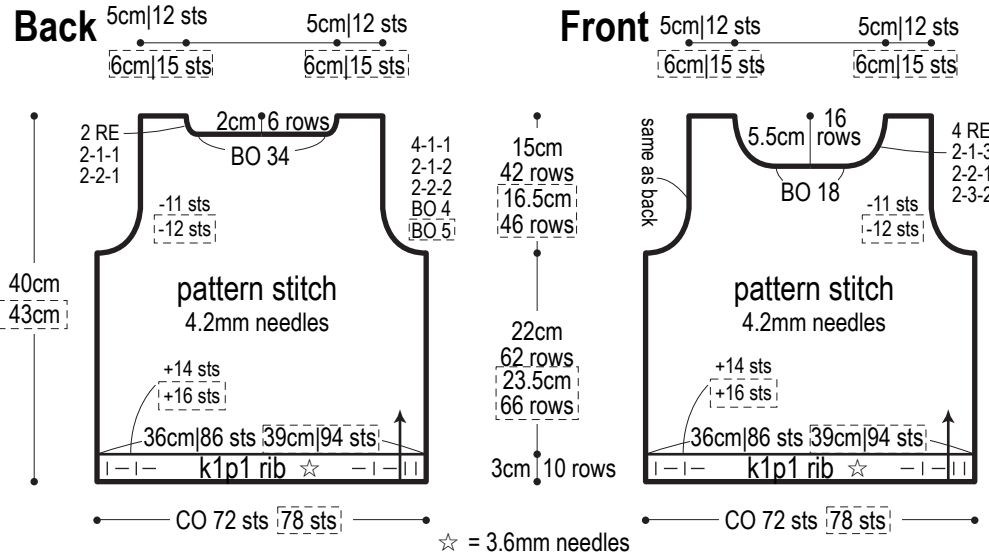
Use this QR code on your smartphone to view a video about how to work the herringbone pattern stitch.



※To view on computer, search on the Pierrot Yarns website or YouTube channel instead.



Girls' sizes



Pattern stitch (4.2mm needles)

■ = 17 sts & 12 rows = 1 repeat □ = 1 purl

