

361pm Pointed Muffler

「トンガリ」が可愛い
ポイントッドマフラー。



この作り方は、ポイントッドマフラーの定番
レシピと糸の色の組み合わせが、11
でもおススメの組み合わせです。
スカラーとポイントッドマフラーの
両方を同時に作ることもできます。
詳しくは、この作り方のページを
ご覧ください。



Suggested yarn:

- Pierrot Yarns Lady Wool [99% wool, 1% polyester; 98yds/90m per 1.76oz/50g skein];
 - adult size:
 - color #05 platinum beige, 1 skeins [30g]
 - color #09 dark blue, 1 skeins [30g]
 - color #12 hard grey, 1 skein [50g]
 - kids' size:
 - color #01 off-white, 1 skeins [30g]
 - color #07 rose grey, 1 skeins [30g]
 - color #06 elegant pink, 1 skein [50g]

Tools/Notions:

- 4.5mm (US 7) knitting needles or size necessary to achieve gauge

Finished measurements:

- adult size:
 - length 140cm/55.12"
 - width 19cm/7.48"
- kids' size:
 - length 107cm/42.13"
 - width 14cm/5.51"

Gauge (10cm/4" square):

- garter stitch: 17.5 sts and 36 rows

Gauge may vary according to individual knitting style. Change needle size if necessary to achieve gauge. Alternatively, rework pattern with your own gauge measurements.

Summary

✳️Note: refer to schematics for color sequences.

Begin with section B, using crochet provisional cast-on method. After picking up stitches from the crochet chain, work in garter stitch. Work decreases in section A, then bind off last remaining stitch by drawing yarn through the stitch and cinching shut. Remove provisional cast-on method, picking up live stitches as you go. Work section C in garter stitch, shaping and binding off as for section A.

Abbreviations:

CO = cast on

k = knit

p = purl

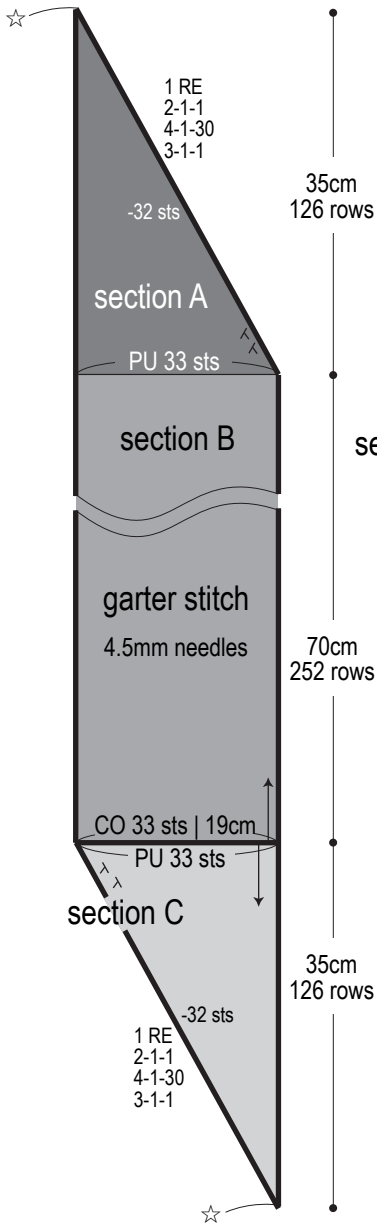
PU = pick up

RE = row(s) even

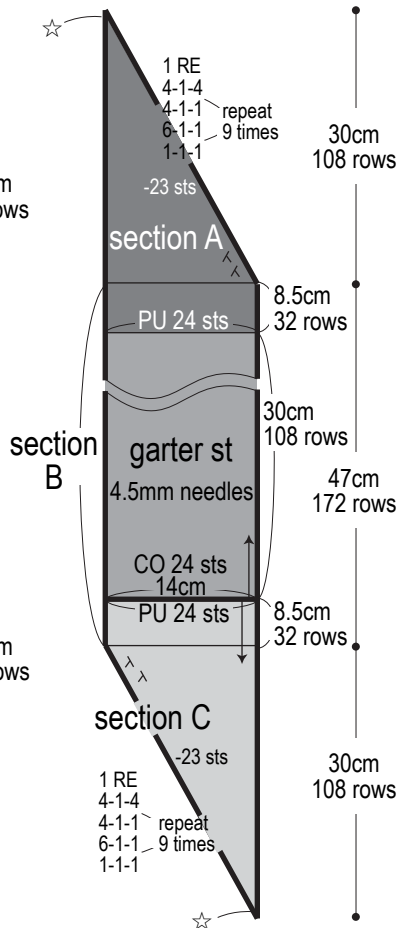
= rows-stitches-times

☆ = Thread yarn through stitch; cinch shut.

Adult size

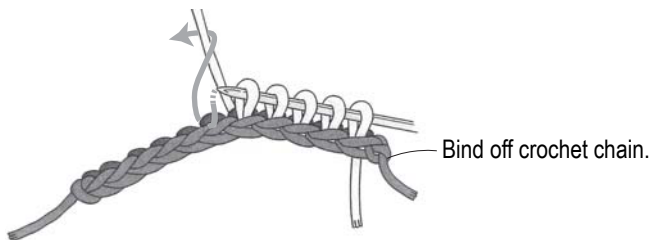


Kids' size



- = A (adult) color 12 hard gray
B (kids') color 06 elegant pink
- ※ Kids' size: Alternatively, cut this yarn after section C decreases are complete & begin using yarn for section B.
- = A (adult) color 09 dark blue
B (kids') color 01 off-white
- = A (adult) color 05 platinum beige
B (kids') color 07 rose gray

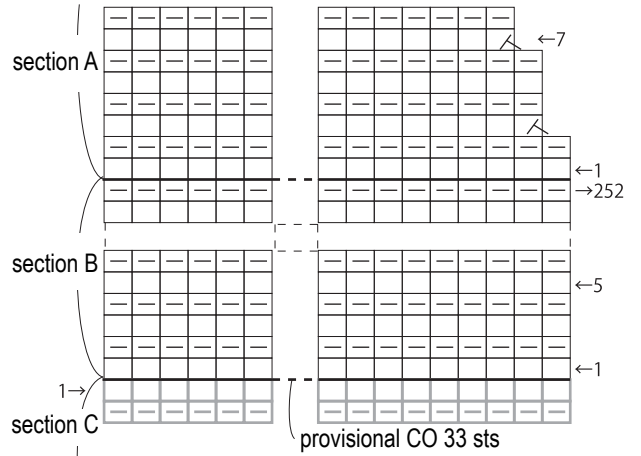
Crochet provisional cast-on method



Pattern stitch: adult size

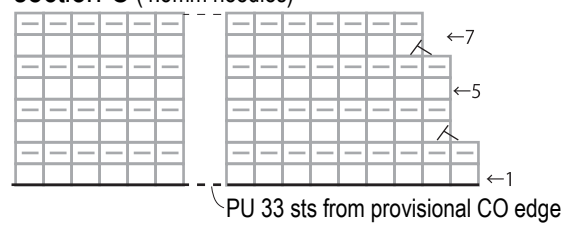
4.5mm needles

□ = □ knit



section C (4.5mm needles)

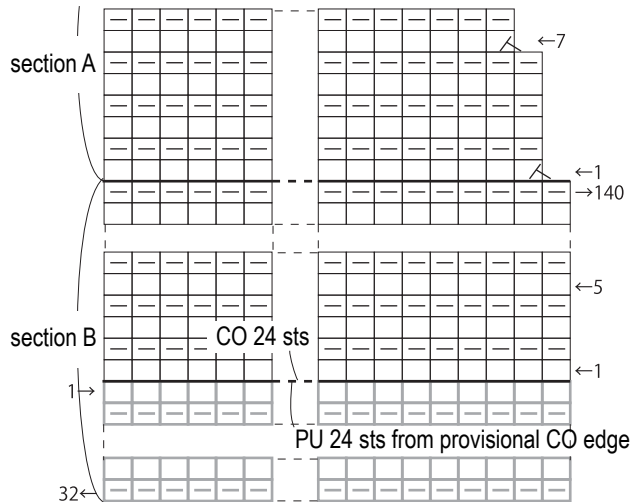
□ = □ knit



Pattern stitch: kids' size

4.5mm needles

□ = □ knit



section C (4.5mm needles)

□ = □ knit

