

27-28-260SC Cashmere Striped Sweater & Beanie



Suggested yarn:

- Pierrot Yarns New Cashmere 100 [100% cashmere; 71yds/65m per 0.71oz/20g skein];
 - beanie:
 - color #503, 2 skeins [35g]
 - color #501, 1 skein [15g]
 - sweater:
 - color #503, 6 skeins [120g]
 - color #501, 3 skein [60g]

Tools/Notions:

- 5.7mm (approx. US 9) knitting needle or size necessary to achieve gauge
- 5.1mm (approx. US 8) and 5.7mm (approx. US 9) double-pointed knitting needles or sizes necessary to achieve gauge
- 4.0mm (US G) crochet hook or size necessary to achieve gauge

Finished measurements:

- sweater:
 - chest 68cm/26.77"
 - cross back width 24cm/9.54"
 - back length 42cm/16.54"
 - sleeve length 34cm/13.39"
- beanie:
 - head circumference 46cm/18.11"
 - depth 19.5cm/7.68"

Gauge (10cm/4" square):

- beanie:
 - striped k3p2 ribbing: 16.5 sts and 23 rounds
- sweater:
 - striped k3p2 ribbing: 15 sts and 19 rows

Gauge may vary according to individual knitting style. Change needle size if necessary to achieve gauge. Alternatively, rework pattern with your own gauge measurements.

Summary

✳️**Note:** worked with 2 strands of yarn held together.

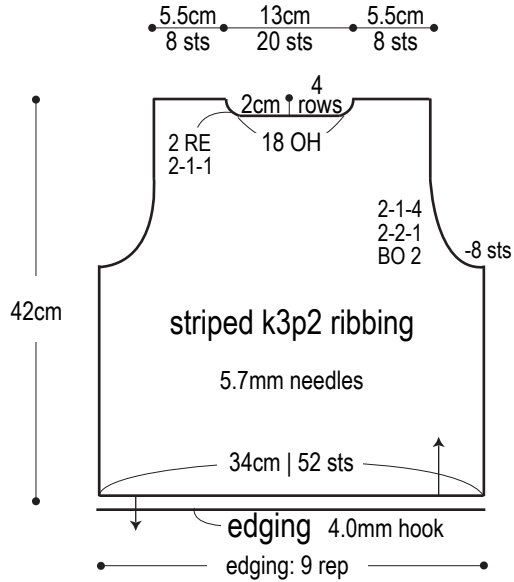
Body: Cast on with long-tail cast-on method. Work in striped k3p2 ribbing. Shape armhole by binding off stitches as indicated and by working decreases at edges. Put neckline stitches on hold as indicated. Work sleeves in the same manner as body. Seam shoulders together with three-needle bind-off method. Seam sides and sleeve undersides with mattress stitch. Seam sleeves to body with crochet slip stitch seam. Work edging around hem, collar, and cuffs.

Finishing: Cast on as for body, but join into the round. Working in the round, refer to chart and/or schematic for top decreases. Work edging around cast-on edge.

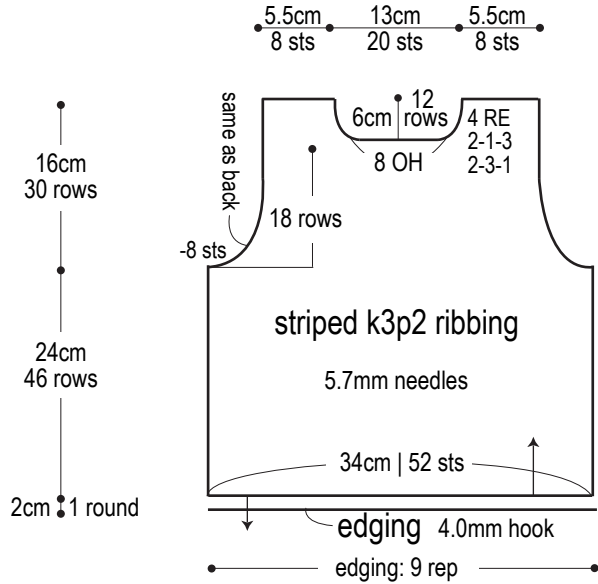
Abbreviations:

BO = bind off
CO = cast on
m = magic ring
OH = on hold (that is, place on stitch holder)
PU = pick up
RE = row(s) even
rep = pattern repeat(s)
= rows-stitches-times

Back

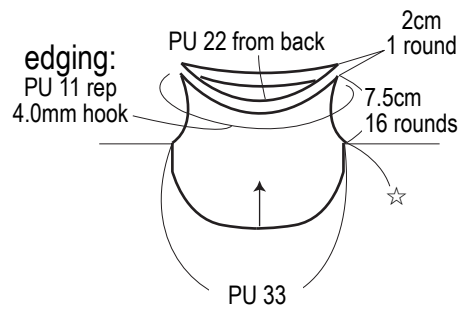


Front

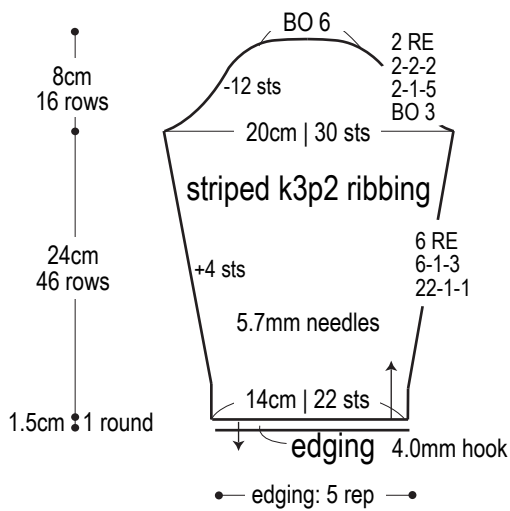


Collar

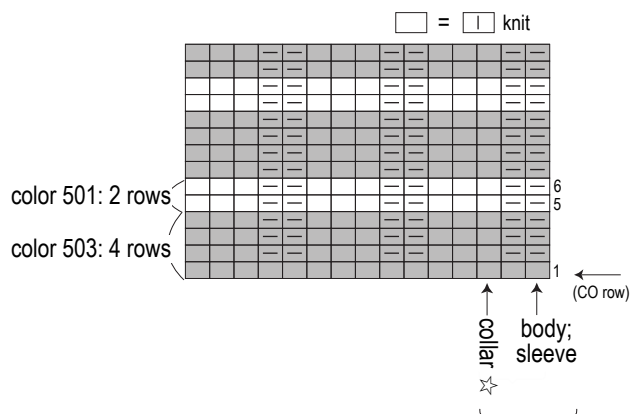
striped k3p2 ribbing, 5.7mm needles



Sleeve

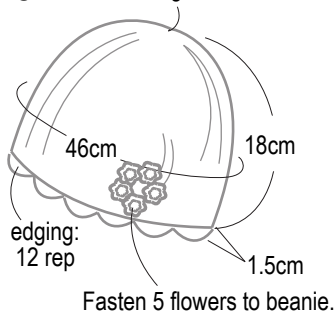


Pattern stitch & color sequence

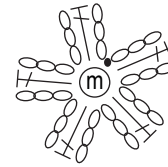


Beanie

Thread yarn through remaining 8 sts; cinch shut.



Decorative flower for beanie

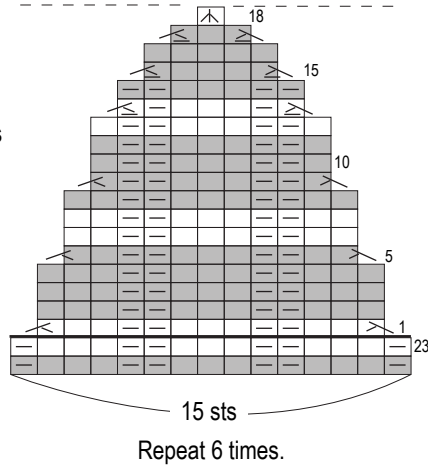


※Make 5 flowers. Fasten to hat.

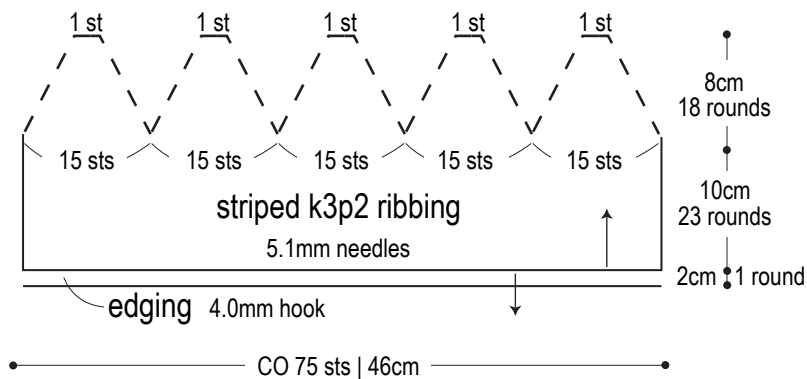
Beanie decreases

5.1mm DPNs

★ top decreases

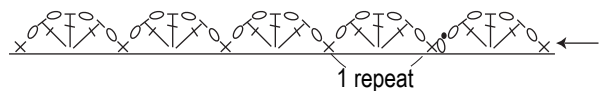


Beanie schematic



Edging

4.0mm hook



※Work edging and flowers with color 501 only.