

28-3 Pearl Lamé Linen Summer Top



Suggested yarn:

- Pierrot Yarns Pearl Rame Linen [73% rayon, 25% linen, 2% polyester; 60yds/55m per 1.06oz/30g skein]; color #4 pink, 13 skeins [380g]

Tools/Notions:

- 2.5mm (approx. US B or C) crochet hook or size necessary to achieve gauge

Finished measurements:

- bust 94cm/37.01"
- cross back width 38cm/14.96"
- back length 53.5cm/21.06"

Gauge (10cm/4" square):

- pattern stitch: 33 sts and 9 rows

Gauge may vary according to individual crochet style. Change hook size if necessary to achieve gauge. Alternatively, rework pattern with your own gauge measurements.

Summary

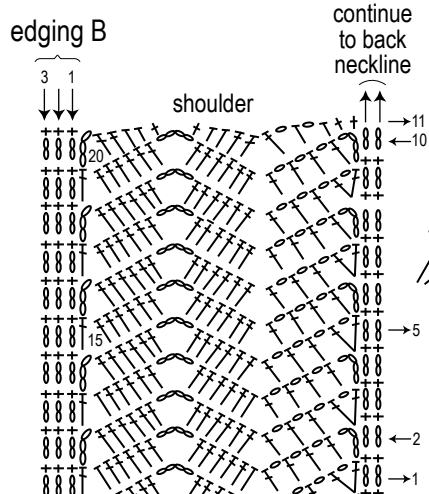
Body: Work foundation chain to begin. Work pattern stitch (chevron pattern) in mesh stitch and double crochet (US). Shape armscyes, back neckline, and front neckline by working shaping according to charts.

Finishing: Work edging A at concave section of collar. Seam shoulders with whipstitch, working seam stitches through only one loop of each crochet stitch. Seam sides with chain seam as follows: *ch3, slip stitch*, repeat from * to *. Work edging B along each side of collar and along armscyes. Work edging A along hem.

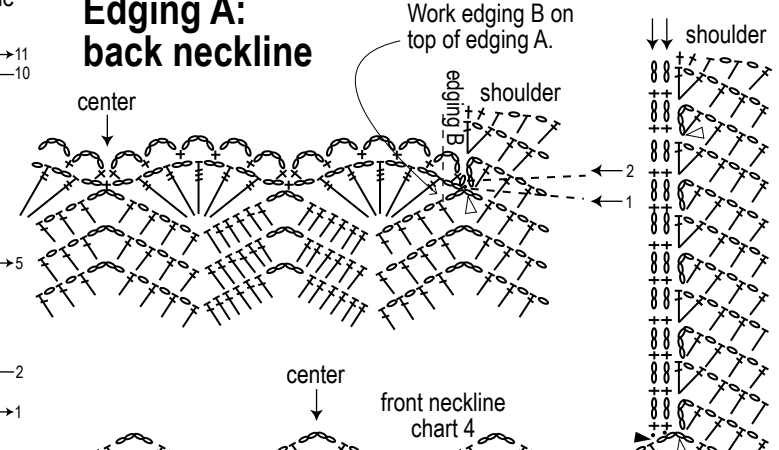
Abbreviations:

ch = chain

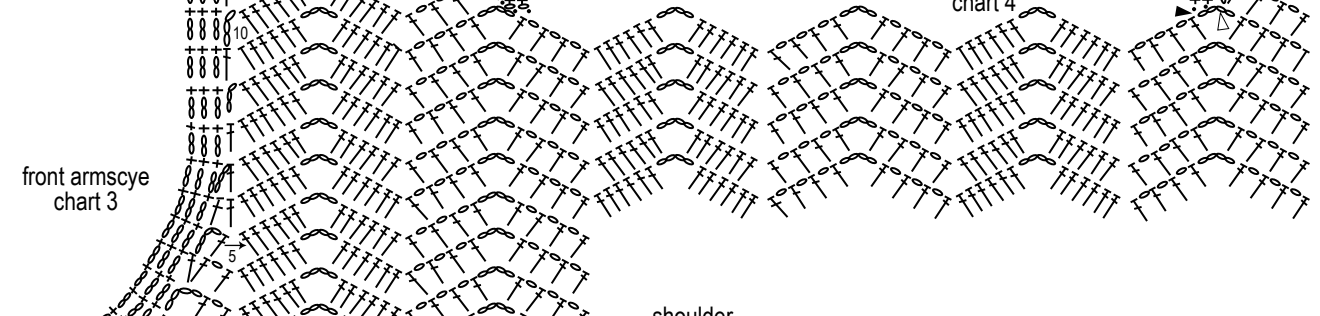
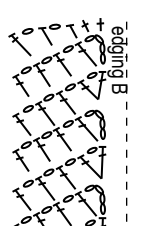
rep = pattern repeat(s)



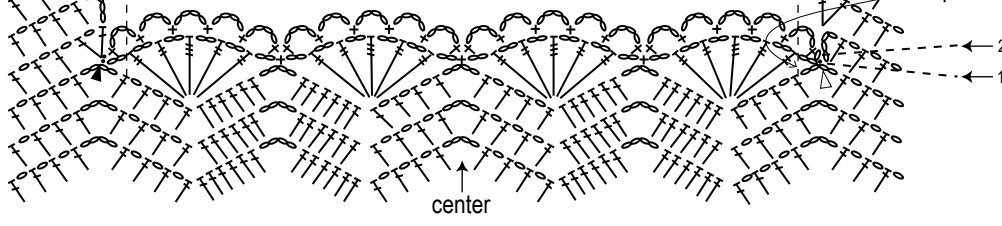
Edging A: back neckline



front armscye chart 3

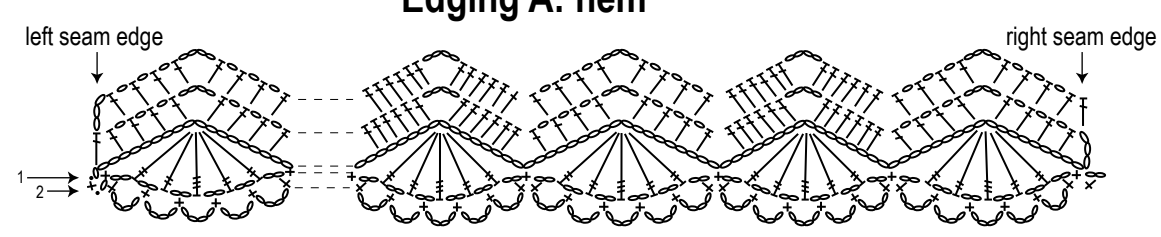


Edging A: front neckline



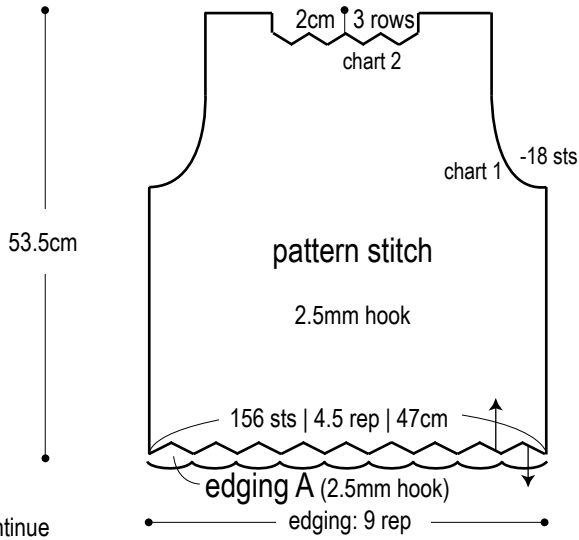
▷ = join yarn
 ▶ = cut yarn

Edging A: hem



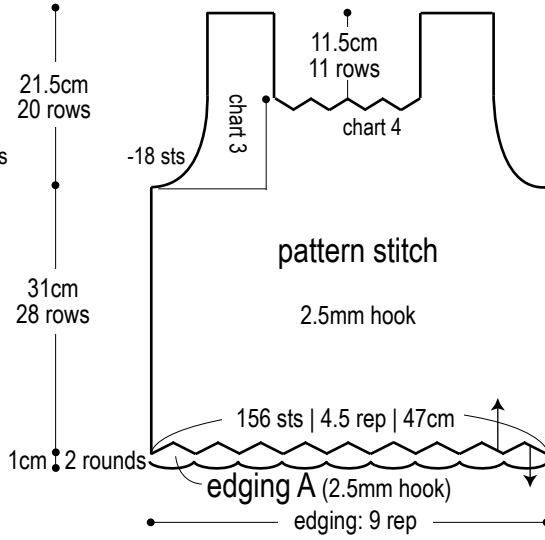
Back

7.75cm 20.5cm 7.75cm
26 sts 68 sts 26 sts

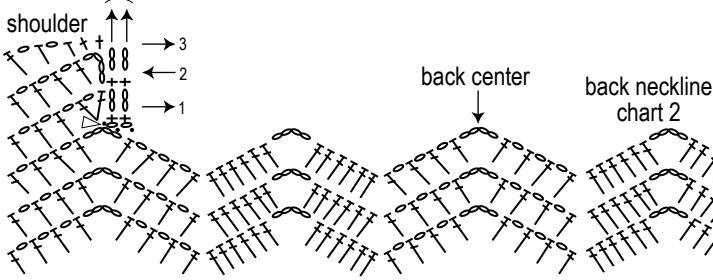


Front

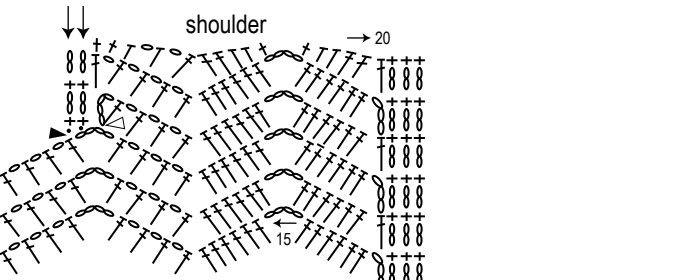
7.75cm 20.5cm 7.75cm
26 sts 68 sts 26 sts



continue to front neckline

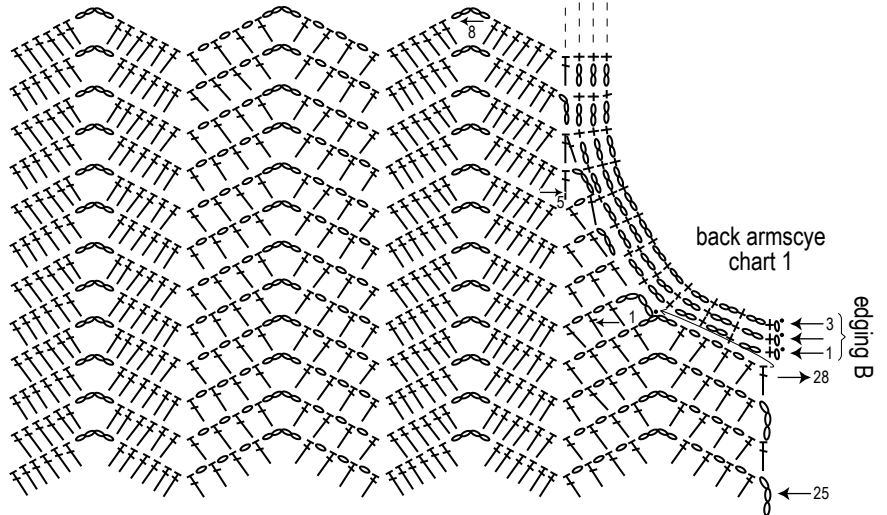
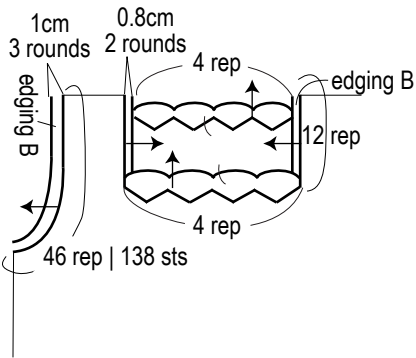


continue from front neckline



Armscye & neckline

edging, 2.5mm hook



Pattern stitch (2.5mm hook)

