

214s-26 Headband



Suggested yarn:

- Pierrot Yarns Pochette [50% Merino, 50% Cotton; 131yds/120m per 1.41oz/40g skein];
 - kids' size: color #04 fruity pink, 1 skein [15g]
 - ladies' size: color #06 baby leaf, 1 skein [20g]

Tools/Notions:

- both sizes: 3.6mm (approx. US 5) knitting needle or size necessary to achieve gauge
- kids' size only:
 - 20 beads (4mm/0.16")
 - 2 pieces of elastic cord (6cm/2.36")
- ladies' size only:
 - cable needle
 - 2 pieces of elastic cord (7cm/2.76")

Finished measurements:

- Please see finishing schematics.

Gauge (10cm/4" square):

- pattern stitch A: 28 sts and 34 rows
- pattern stitch B: 31 sts and 42 rows

Gauge may vary according to individual knitting style. Change needle size if necessary to achieve gauge. Alternatively, rework pattern with your own gauge measurements.

Summary

Ladies' size: Cast on with long-tail cast-on method. Work in pattern stitch A with garter stitch border on each side. Bind off tightly. Seam cast-on edge to bind-off edge with right sides facing each other using whipstitch. Sew elastic to headband where indicated.

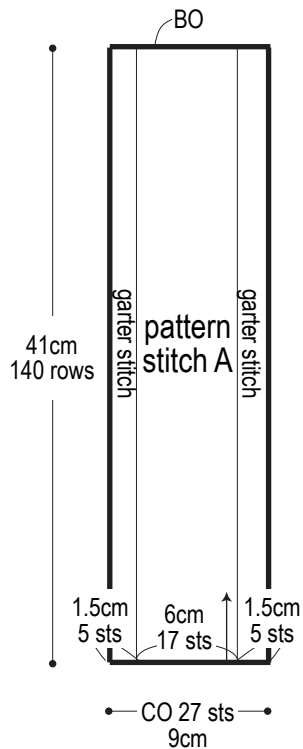
Kids' size: Thread beads onto working yarn. Cast on with long-tail cast-on method. Work in pattern stitch B with garter stitch border on each side. Work beads into pattern stitch B within gray shaded area of schematic, placing them in a balanced manner throughout the shaded region. Bind off tightly. Twist headband once, then seam cast-on edge to bind-off edge with right sides facing each other using whipstitch (wrong side to right side). Sew elastic to headband where indicated.

Abbreviations:

BO = bind off CO = cast on RS = right side WS = wrong side

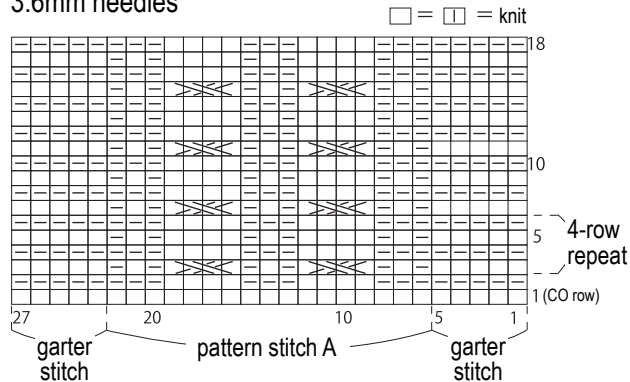
Ladies' headband

3.6mm needles
color #06 baby leaf

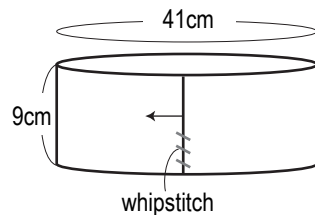


Pattern stitch: ladies'

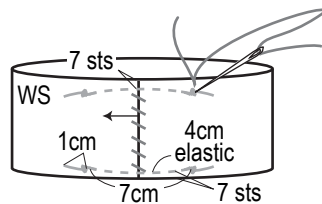
3.6mm needles



Finishing



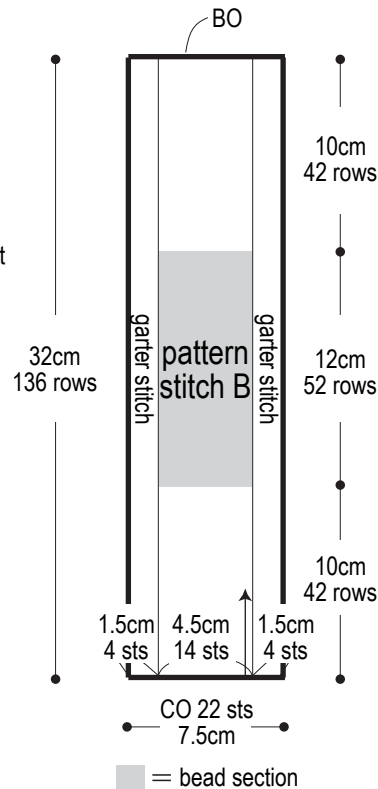
Elastic



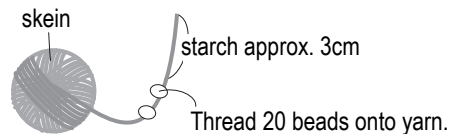
※Thread elastic cord through stitches. Tie knots after shortening knit section from 7cm to 4cm. Insert needle into knot; sew to body and knot sewing thread.

Kids' headband

3.6mm needles
color #04 fruity pink



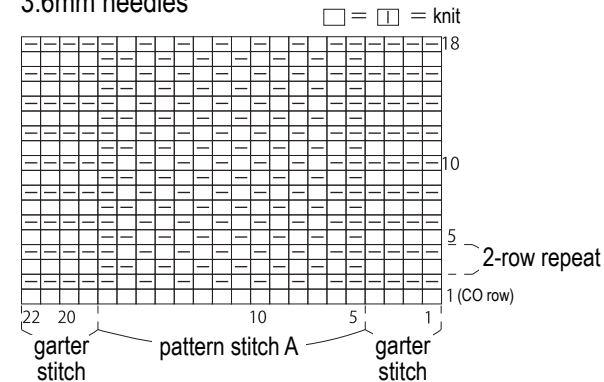
※Thread beads onto yarn. Begin knitting, sliding beads out of the way until needed. Work beads into desired stitches between rows 43 and 52 of pattern stitch B.



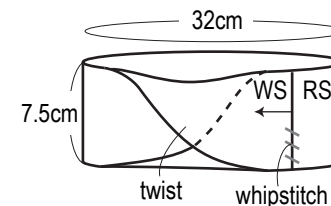
※Starch last 3cm of yarn tail to stiffen it. After starch has dried, it should be easier to thread beads onto yarn.

Pattern stitch: kids'

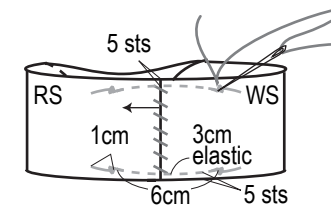
3.6mm needles



Finishing



Elastic



※Thread elastic cord through stitches. Tie knots after shortening knit section from 6cm to 3cm. Insert needle into knot; sew to body and knot sewing thread.