

214s-21 Ruffled Camisole



Suggested yarn:

- Pierrot Yarns Julien [95% silk, 5% polyester; 192yds/176m per 1.41oz/40g skein]; color #77 Powder Pink Rose, 4 skeins [130g]

Tools/Notions:

- 3.0mm (US 3) knitting needle or size necessary to achieve gauge
- 2.3mm (US B) or 2.5mm (approx. US B or C) crochet hooks or sizes necessary to achieve gauge

Finished measurements:

- chest 67cm/26.38"
- cross back width 21cm/8.27"
- back length 42cm/16.54"

Gauge (10cm/4" square):

- stockinette stitch: 32 sts and 45 rows
- pattern stitch (2.3mm hook): 36 sts and 23 rows
- pattern stitch (2.5mm hook): 33 sts and 22 rows

Gauge may vary according to individual knitting style. Change needle size if necessary to achieve gauge. Alternatively, rework pattern with your own gauge measurements.

Knitting Tips

Body: Cast on with long-tail cast-on method. Work hem ruffle in stockinette stitch, referring to chart for decreases. Bind off. Crochet body in pattern stitch, working first row into wrong side of bound-off ruffle piece.

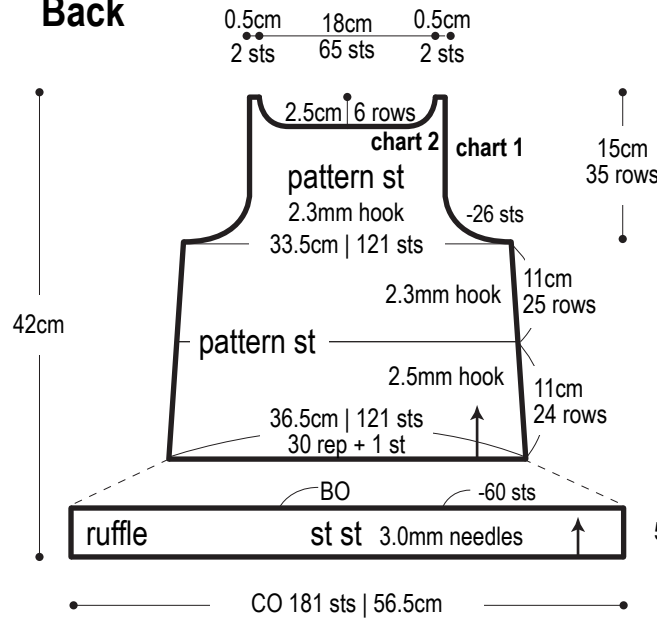
Sleeves: Cast on with long-tail cast-on method. Work sleeves in stockinette stitch. Crochet edging along cast-on edge.

Finishing: Seam stockinette section of side edges with mattress stitch. Seam pattern stitch section of side edges with chain seam (alternating chain stitch and slip stitch as needed to maintain pattern). For neckline edging, work sc in the round along body and separate piece of crochet chain (worked in advance for this purpose). Work sc edging in the round around armholes as well. Finish sleeve by forming gathers in sleeve cap as you seam sleeve to body with crochet slip stitch seam.

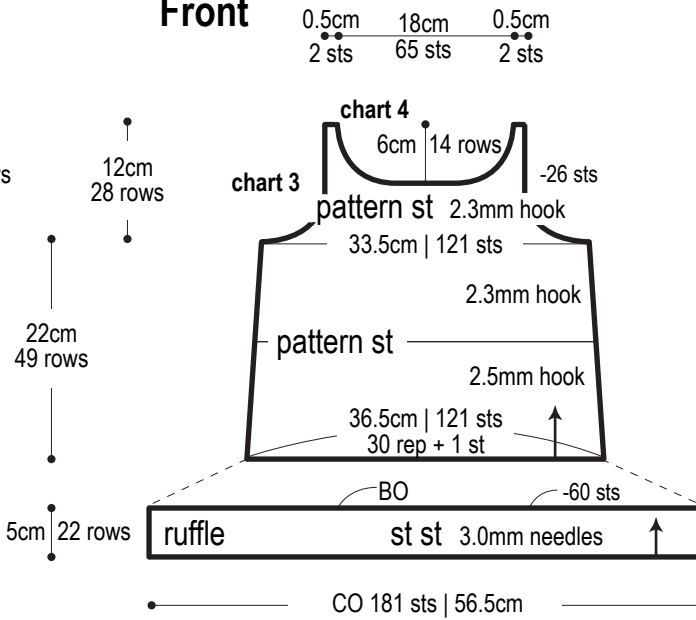
Abbreviations:

BO = bind off ch = chain stitch CO = cast on RE = row(s) even rep = pattern repeat(s) sc = single crochet (US) st st = stockinette st
= rows-stitches-times

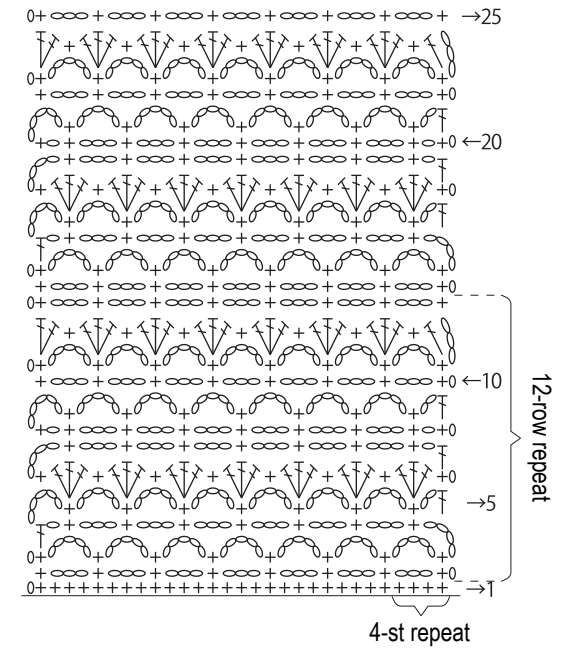
Back



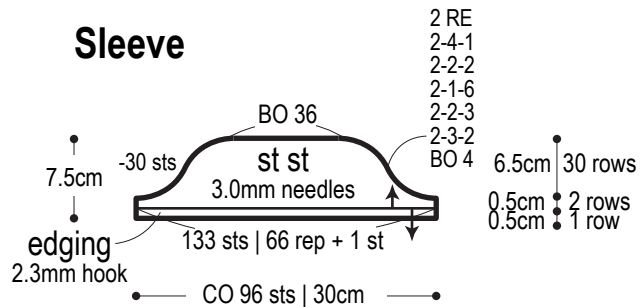
Front



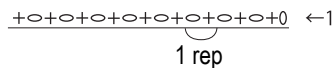
Pattern stitch (2.3mm hook)



Sleeve

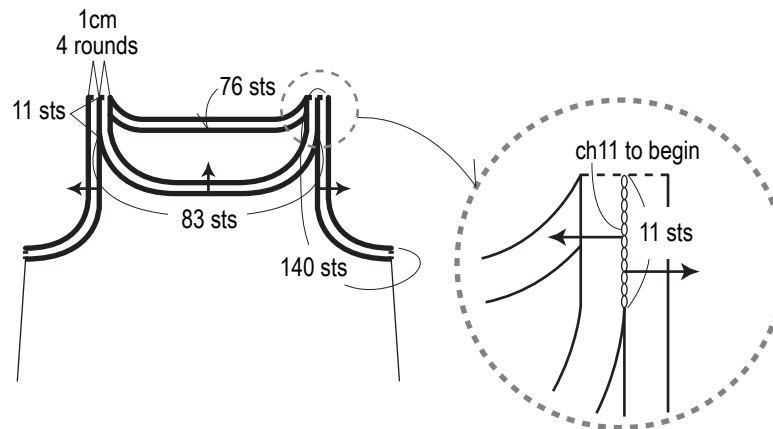


Edging 2.3mm hook

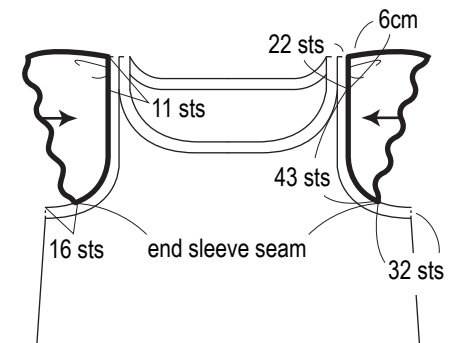


Neckline & armhole edging

sc, 2.3mm hook



Sleeve finishing



*Gather sleeve cap section (6cm) while seaming sleeve to body with crochet slip stitch seam.

