

214s-20 Sundress



Suggested yarn:

- Pierrot Yarns Marshmallow Cotton [100% cotton; 153yds/140m per 1.06oz/30g skein]; color #05 yellow, 5 skeins [130g]
- Pierrot Yarns Carta [90% cotton, 10% silk; 133yds/122m per 1.41oz/40g skein]; color #51 milky white, 1 skein [30g]

Tools/Notions:

- 3.3mm (approx. US 4) knitting needle or size necessary to achieve gauge
- 2.5mm (approx. US B or C) crochet hook or size necessary to achieve gauge

Finished measurements:

- chest 66cm/25.98"
- back length (excluding shoulder straps) 44cm/17.32"

Gauge (10cm/4" square):

- stockinette stitch (stripes): 27 sts and 36 rows
- k1p1 ribbing (stripes): 26 sts and 36 rows

Gauge may vary according to individual knitting style. Change needle size if necessary to achieve gauge. Alternatively, rework pattern with your own gauge measurements.

Knitting Tips

Skirt: Cast on with long-tail cast-on method. Work in striped stockinette stitch.

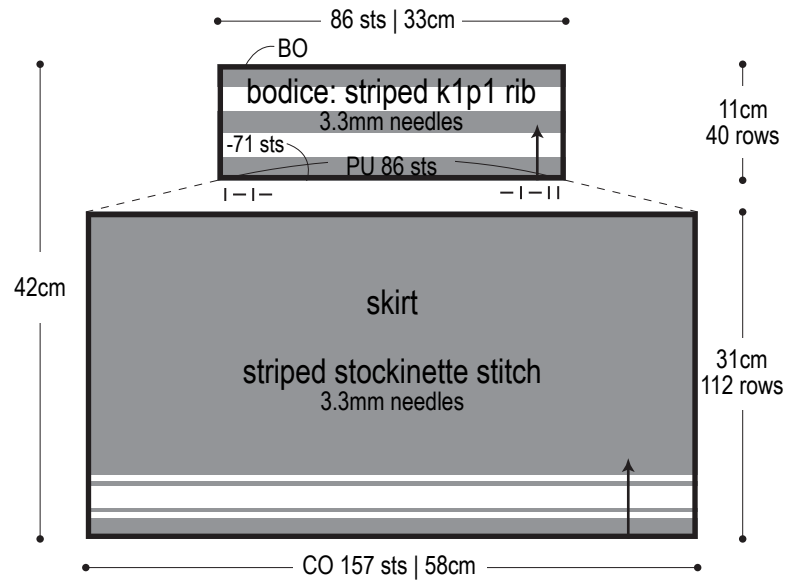
Bodice (make 2): Continuing from skirt section, decrease on first row of k1p1 ribbing. Continue in striped k1p1 ribbing. Bind off in pattern.

Finishing: Seam sides with mattress stitch. Work sc edging in the round along hem. Work edging in the round along top edge of bodice. Crochet 4 shoulder strap pieces. Seam straps to bodice.

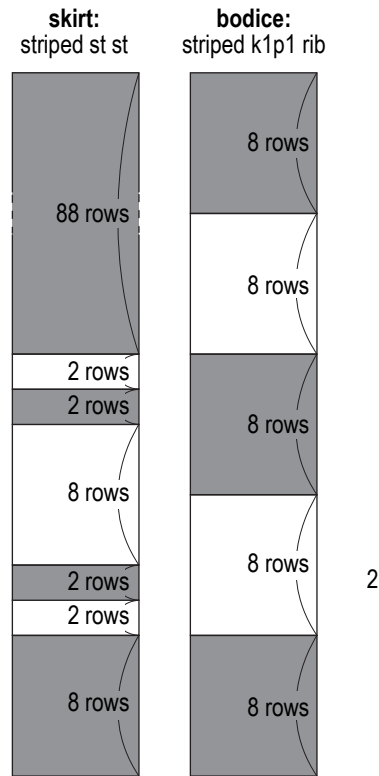
Abbreviations:

BO = bind off CO = cast on k = knit stitch p = purl stitch PU = pick up rep = pattern repeat(s)

Sundress

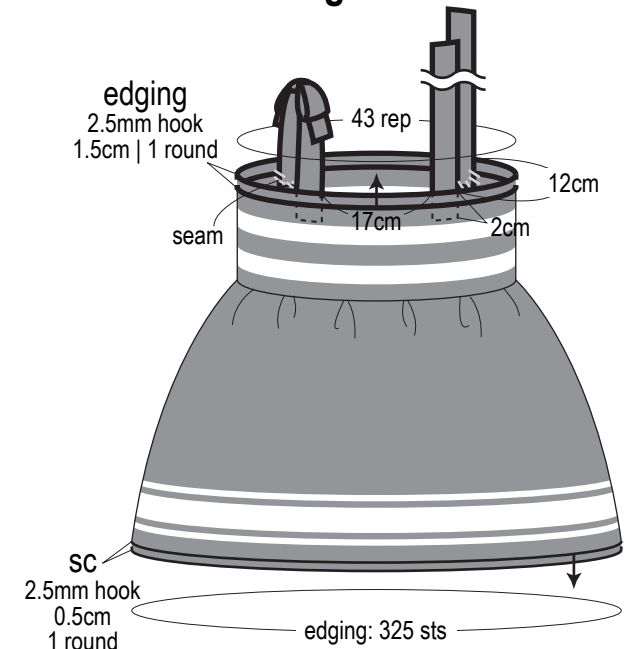


Color sequences



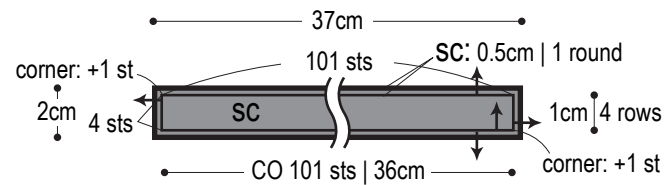
■ = Marshmallow Cotton color #05
 □ = Carta color #51

Finishing



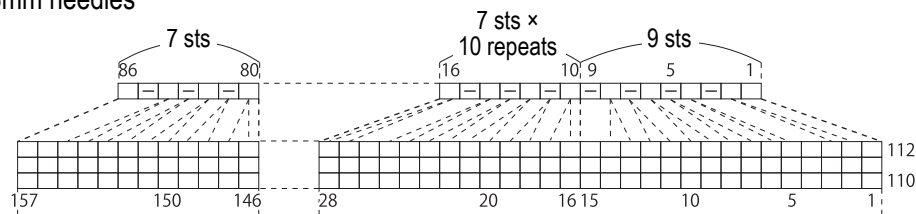
Shoulder strap (make 4)

2.5mm hook, Marshmallow Cotton color #05



Bodice decreases

3.3mm needles



Edging

2.5mm hook, Marshmallow Cotton color #05

