

# 214ss-22 Smocked Cardigan



## Suggested yarn:

- Pierrot Yarns Marshmallow Cotton [100% cotton; 153 yds/140m per 1.06 oz./30g skein];
  - color #03 pink, 6 skeins [175g]
  - color #06 light green, 1 skein [5g]

## Tools/Notions:

- 3.0mm (US 2½) and 3.3mm (approx. US 3) knitting needles or sizes necessary to achieve gauge
- 2.5mm (approx. US B or C) crochet hook or size necessary to achieve gauge
- 3 buttons (15mm/0.59")

## Finished measurements:

- bust 92cm/36.22"
- cross back width 28.5cm/11.22"
- back length 40.5cm/15.94"
- sleeve length 34cm/13.39"

## Gauge (10cm/4" square):

- stockinette stitch (with largest needles): 27 sts and 37 rows
- k1p2 ribbing (with smallest needles): 40 sts and 37 rows - note that this gauge is measured after the smocking is complete.

*Gauge may vary according to individual knitting style. Change needle size if necessary to achieve gauge. Alternatively, rework pattern with your own gauge measurements.*

## Knitting Tips

**Back & front body:** Cast on with crochet chain cast-on method (using the same yarn for the chain as for the body of the cardigan). Work in stockinette stitch, then continue in k1p2 ribbing. Finish k1p2 ribbing section by embroidering it with smocking stitch.

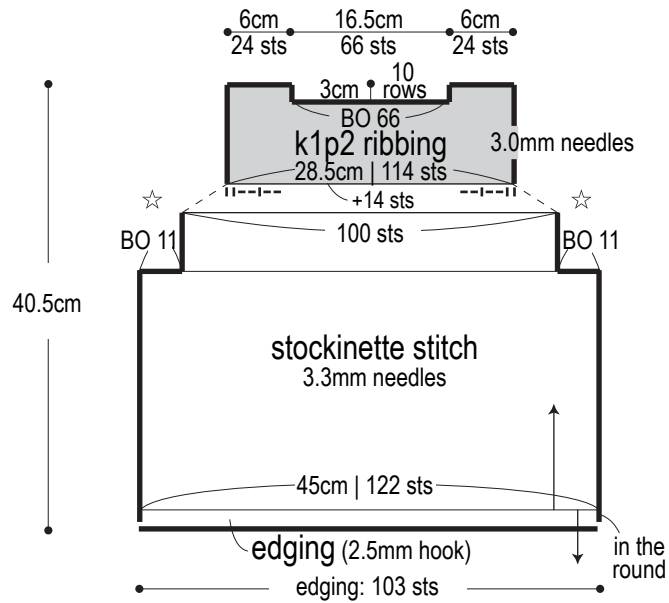
**Sleeve:** Cast on with crochet chain cast-on method (using the same yarn for the chain as for the body of the cardigan). Work in stockinette stitch.


**Finishing:** Seam shoulders with crochet slip stitch seam. (Be sure to work shoulder seams somewhat tightly.) Seam sleeve to body with crochet slip stitch seam as well, but in areas marked with ☆ and ★ use stitches-to-rows mattress stitch instead. Seam sides and sleeve undersides (in one continuous line per side of body) with mattress stitch. Work cuff edging in the round. Work edging along hem, front edges, and neckline in the round.

## Abbreviations:

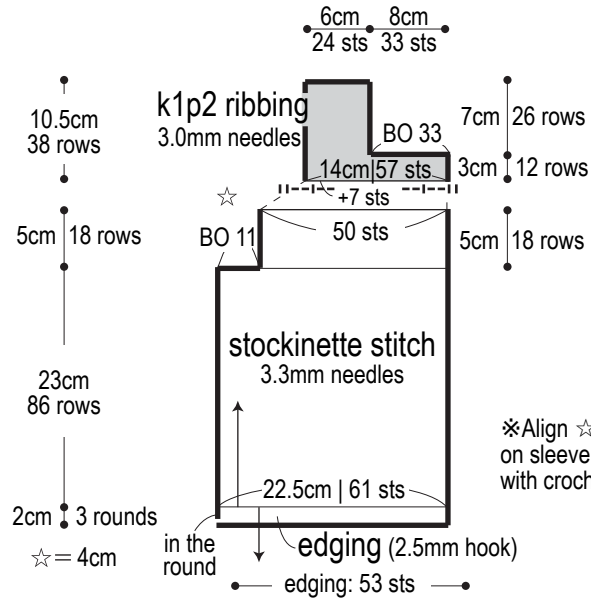
BO = bind off      hdc = half double crochet (US)      k = knit      p = purl      RE = row(s) even      sc = single crochet (US)      sc2tog = sc 2 stitches together  
sc3tog = sc 3 stitches together      #-#-# = rows-stitches-times

## Back



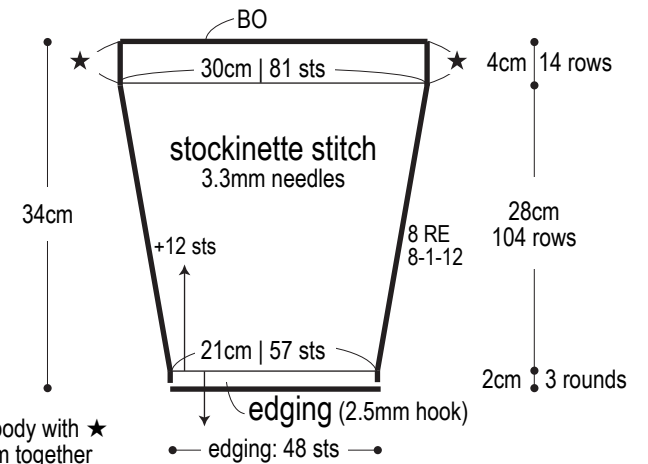
 = Work smocking here. Gauge measurements taken after smocking stitch worked.

## Right front



\*Reverse shaping of right front for left front.

## Sleeve



\*Align ☆ on body with ★ on sleeve; seam together with crochet slip stitch seam.

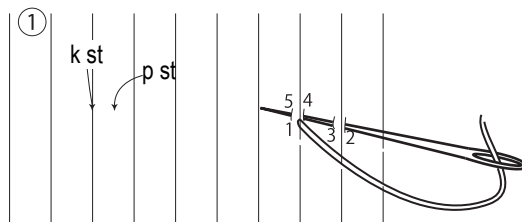
Use this QR code on your smartphone to view a video about how to work smocking. →



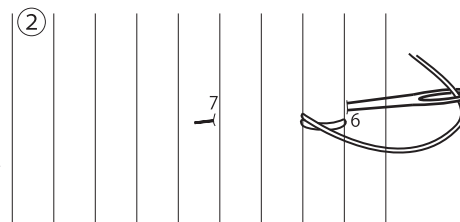
検索

\*To view on computer, search on the Pierrot Yarns website instead.

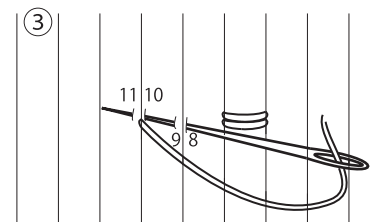
## Smocking stitch instructions



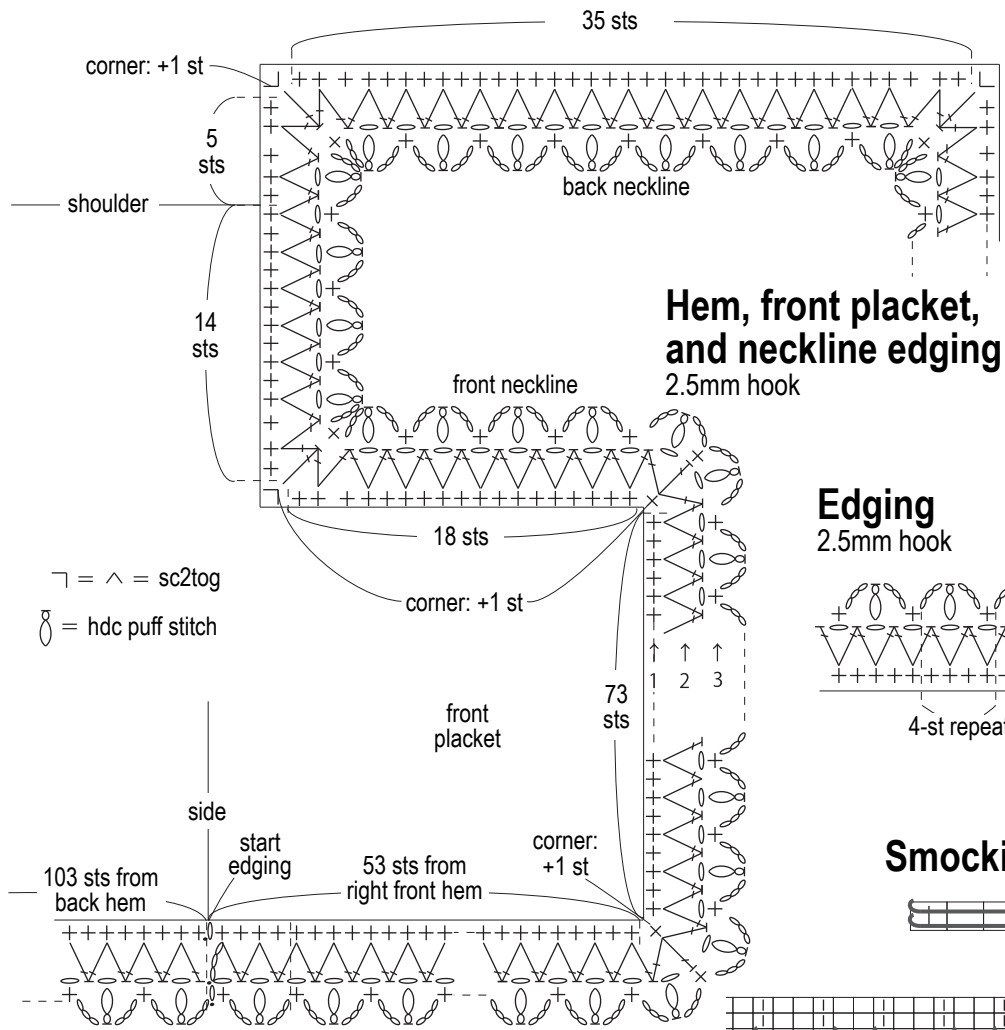
Bring needle out from back to front at 1, in at 2 and under knit stitch, then out again at 3. Push needle in at 4 and under knit stitch, then out at 5 and pull taut.



Insert needle at 6 and under knit stitch. Bring needle out from back to front at 7.



Insert needle from front to back at 8 and under knit stitch, then out again at 9. Insert needle at 10 and under knit stitch. Bring needle back out at 11 and pull taut. Repeat steps ② to ③.

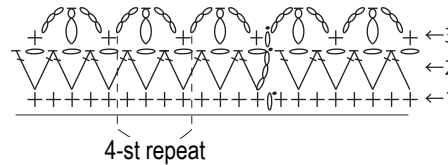


### Hem, front placket, and neckline edging

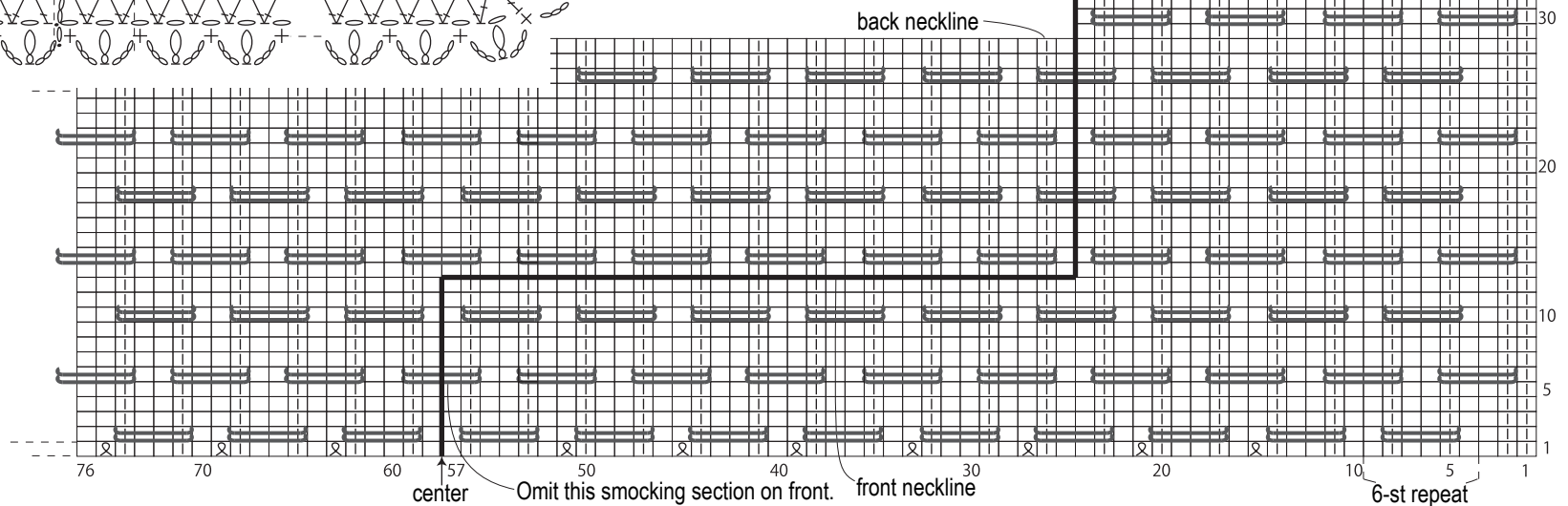
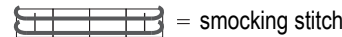
2.5mm hook

### Edging

2.5mm hook

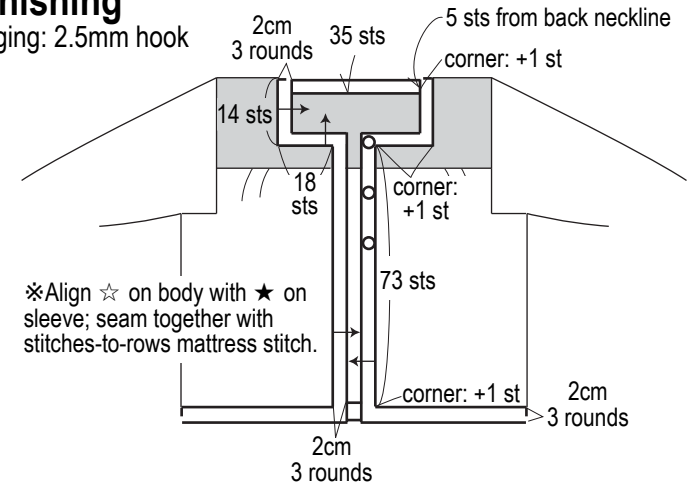


### Smocking placement



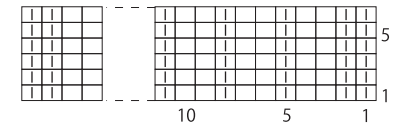
### Finishing

edging: 2.5mm hook



### k1p2 ribbing

3.0mm needles



□ = purl

□ = purl