

# 213w-25 Fine Mall Hooded Jacket



## Suggested yarn:

- Pierrot Yarns Fine Mall [100% nylon; 53 yds/48m per 1.41 oz./40g skein]; color #93 teddy bear, 5 skeins [200g]

## Tools/Notions:

- 5.7mm (approx. US 9) knitting needles or size necessary to achieve gauge
- 4 buttons (21mm/0.83")

## Finished measurements:

- chest 79cm/31.10"
- center back neck-to-cuff 47cm/18.50"
- back length 37.5cm/14.76"

## Gauge (10cm/4" square):

- garter stitch: 9.5 sts and 15.5 rows

*Gauge may vary according to individual knitting style. Change needle size if necessary to achieve gauge. Alternatively, rework pattern with your own gauge measurements.*

## Knitting Tips

**Body:** Cast on with long-tail cast-on method. Work in garter stitch. Place markers at front and back neckline, then place neckline stitches on stitch holders (or waste yarn). Place markers where sleeve will be attached as well. Work buttonholes in left front. Seam shoulders with crochet slip stitch seam.

**Sleeves:** Cast on with long-tail cast-on method. Work in garter stitch. When finished, place all stitches on stitch holder. Seam sleeves to body with stitches-to-rows mattress stitch.

**Hood:** Pick up stitches around neckline. Work in garter stitch. After working all necessary rows, seam top of hood with Kitchener stitch with wrong sides facing each other.

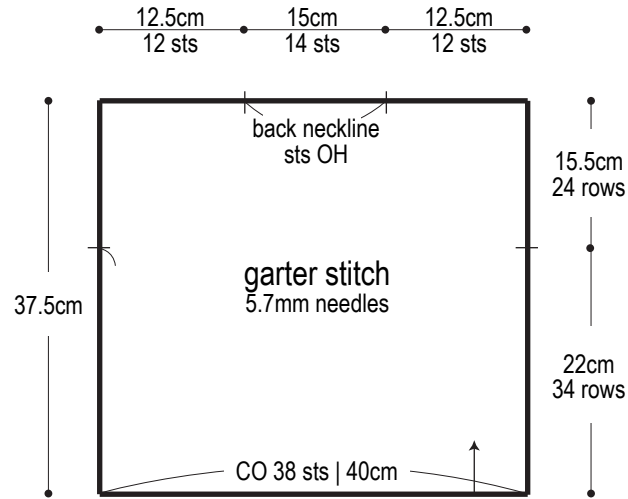
**Finishing:** Seam sides of body and sleeve undersides in one continuous mattress stitch seam (per side of body). Knit pockets, then seam to body where indicated. Fasten buttons to body.

※In the event that seaming with Fine Mall is too difficult, use a smooth yarn in the same color instead.

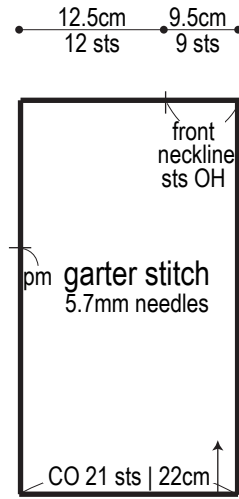
## Abbreviations:

BO = bind off    CO = cast on    OH = on hold (that is, place on stitch holder)    pm = place marker    PU = pick up    RE = row(s) even    ### = rows-stitches-times

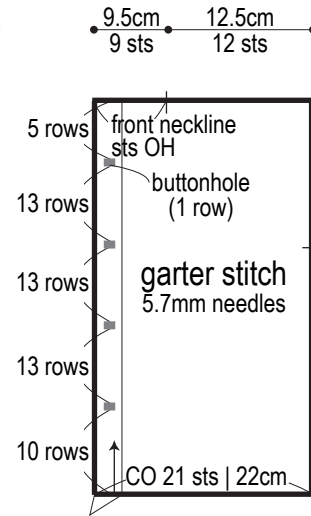
## Back



## Right front

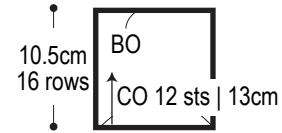


## Left front



## Pocket (make 2)

garner stitch, 5.7mm needles

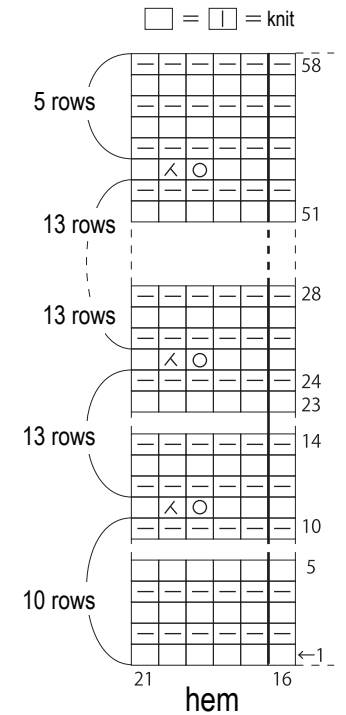


※Because chenille yarn can be stiff at bind-off edges, take care to bind off loosely.

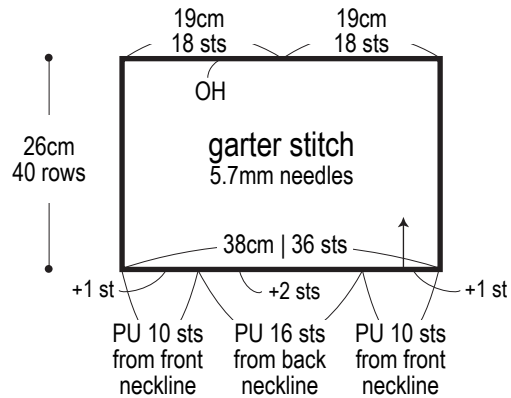
## Buttonholes

5.7mm needles

left front

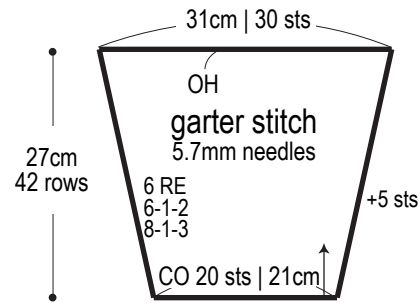


## Hood



※Use lifted increase for hood increases.

## Sleeve



## Finishing

