

# 213fw-24 Soft Merino Stranded Jacket



## Suggested yarn:

- Pierrot Yarns Soft Merino [100% merino wool; 104 yds/95m per 1.41 oz./40g skein];
  - color #6 light beige, 6 skeins [240g]
  - color #15 turquoise, 2 skeins [80g]
  - color #16 purple, 2 skeins [50g]
  - color #18 mustard, 1 skein [30g]

## Tools/Notions:

- 4.8mm (approx. US 7) and 5.1mm (approx. US 8) knitting needles or sizes necessary to achieve gauge
- 5 buttons (20mm/0.79")

## Finished measurements:

*This is designed for children approximately 4 years old.*

- chest 81.5cm/32.09"
- cross back width 32.5cm/12.80"
- length 41.5cm/16.34"
- sleeve length 34cm/13.39"

## Gauge (10cm/4" square):

- pattern stitch: 15 sts and 18 rows
- k1p1 ribbing: 16 sts and 20 rows

*Gauge may vary according to individual knitting style. Change needle size if necessary to achieve gauge. Alternatively, rework pattern with your own gauge measurements.*

## Knitting Tips

✳️ **Note:** Entire garment worked with 2 strands of yarn held together.

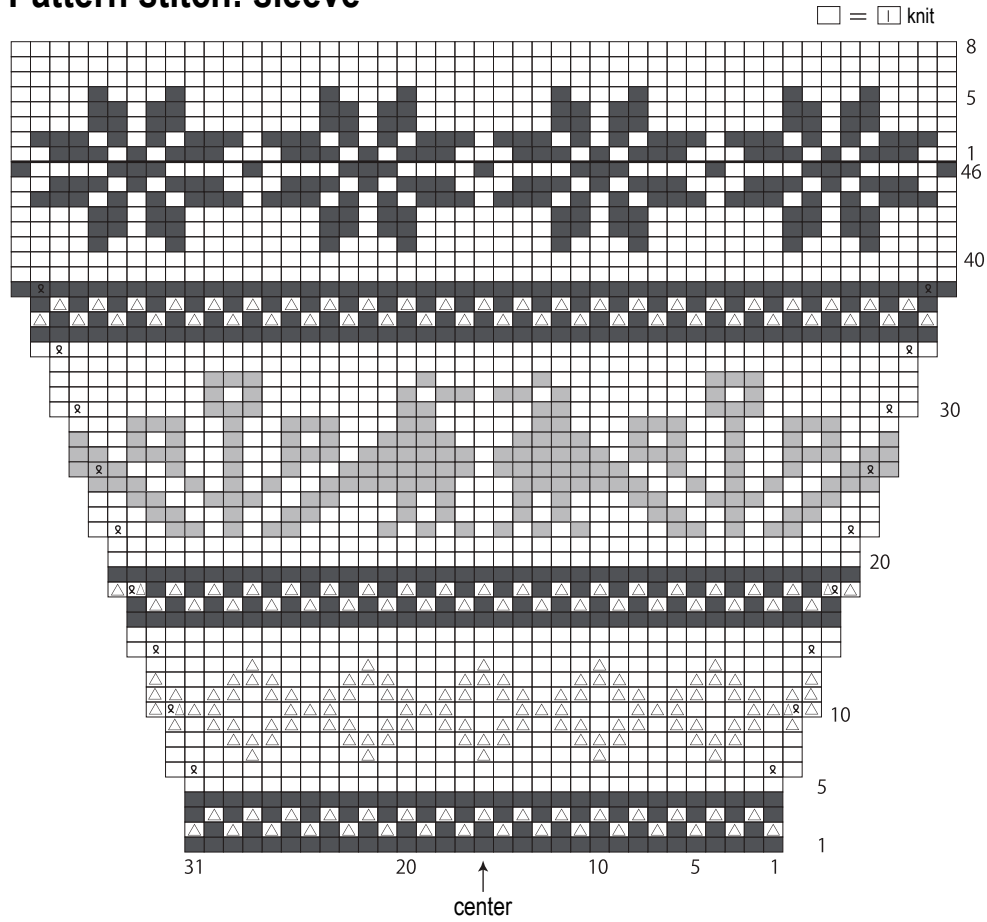
**Body & sleeves:** Cast on with long-tail cast-on method. Work in k1p1 ribbing, then continue in pattern stitch. Reverse shaping of right front for left front. Bind off sleeves in pattern.

**Finishing:** Seam shoulders with crochet slip stitch seam. Align sleeve ends between markers on body; seam sleeves to body with crochet slip stitch seam. Seam sides of body and sleeve undersides in one continuous seam (per side) using mattress stitch. Pick up stitches around neckline; work collar in k1p1 ribbing. Bind off in pattern. Pick up stitches along front edges (right front and left front) and collar. Work edging in k1p1 ribbing, working buttonholes in left front buttonband as you go. Bind off as for collar. Fasten buttons to buttonband.

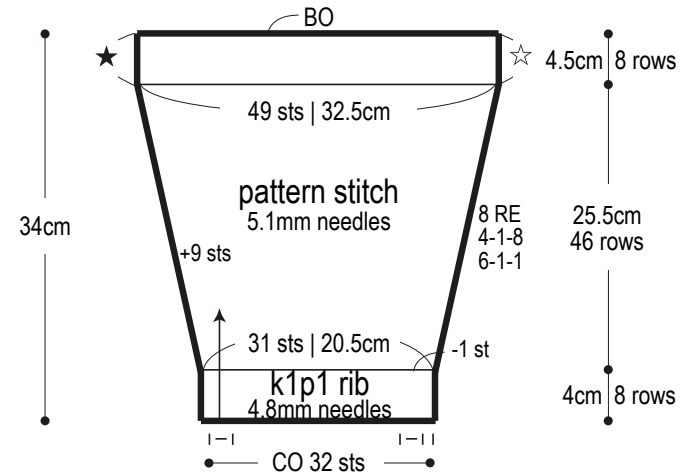
## Abbreviations:

BO = bind off      CO = cast on      k = knit      p = purl      PU = pick up      RE = row(s) even      #-#-# = rows-stitches-times

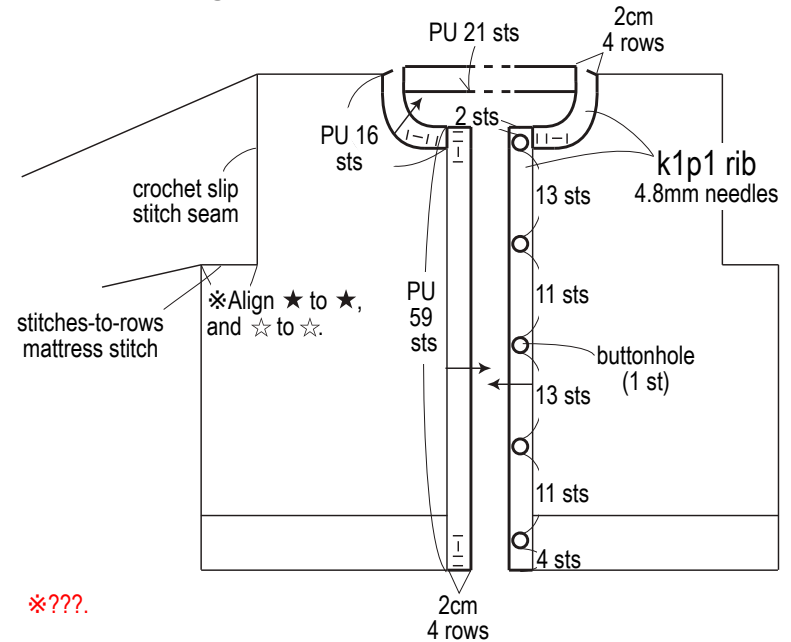
## Pattern stitch: sleeve



## Sleeve schematic



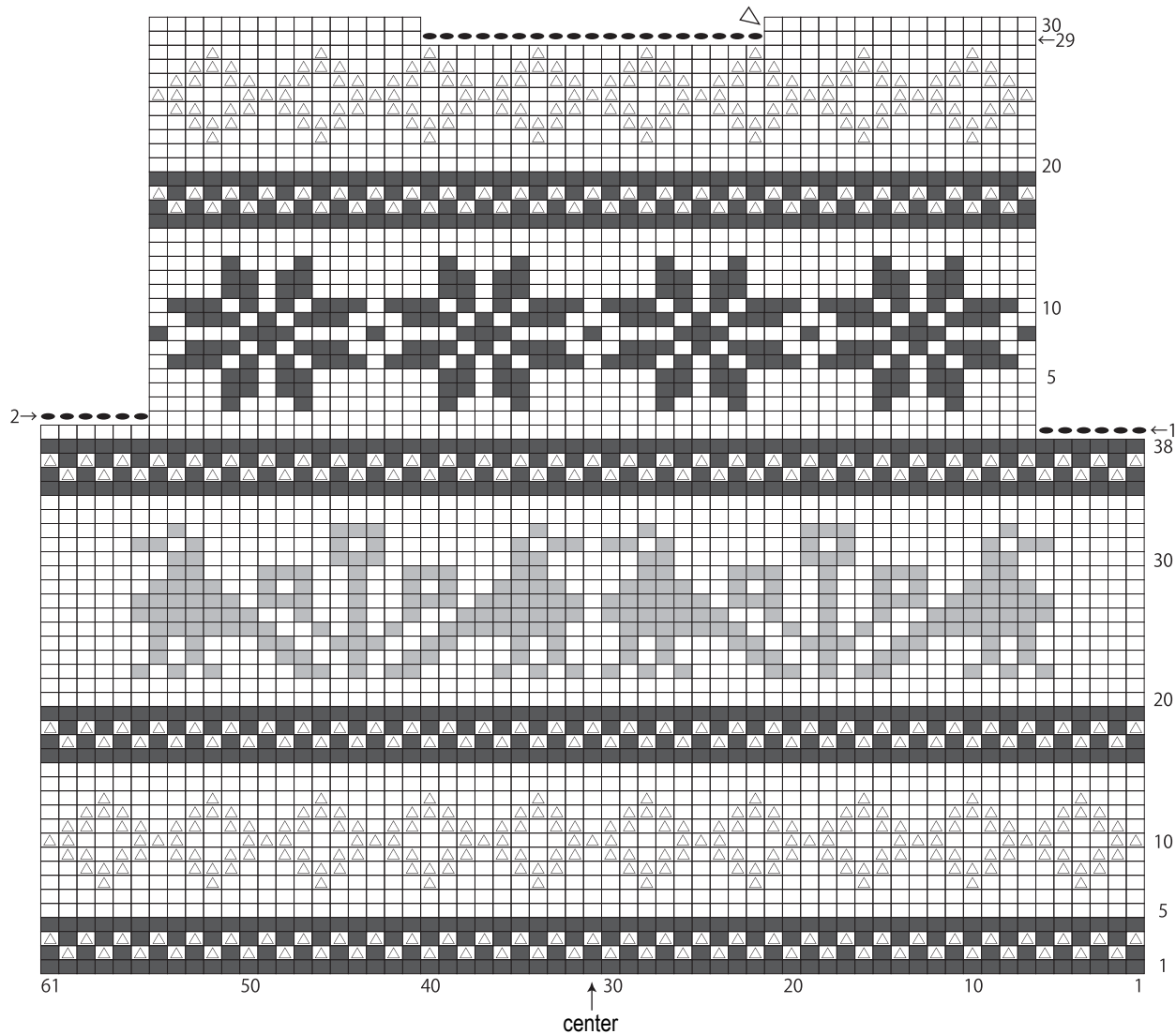
## Finishing



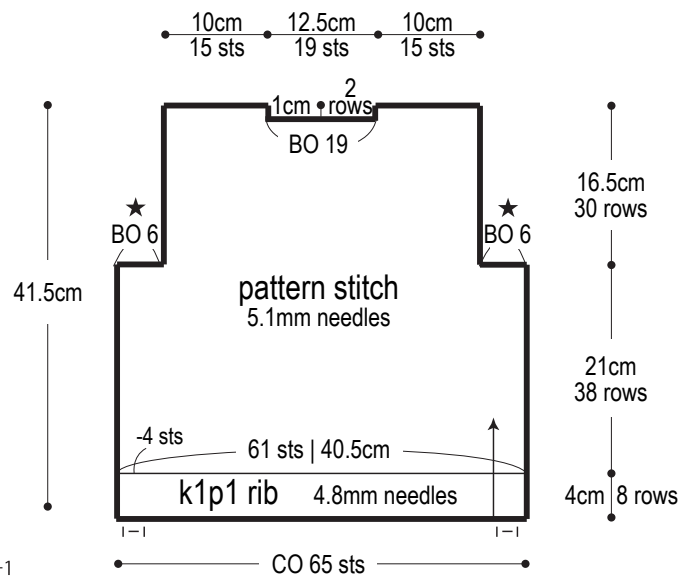
# Pattern stitch: back

5.1mm needles

□ = □ knit



# Back schematic



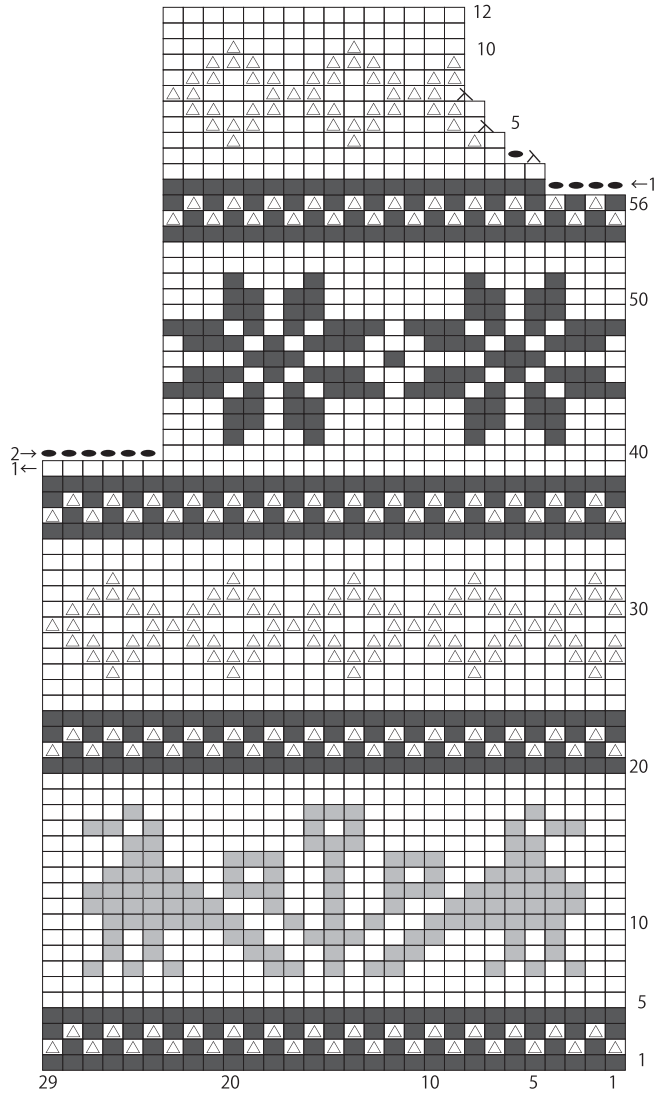
◁ = join yarn

- = #6 light beige
- = #15 turquoise
- ◻ = #16 purple
- ◻ = #18 mustard

### Pattern stitch: right front

5.1mm needles

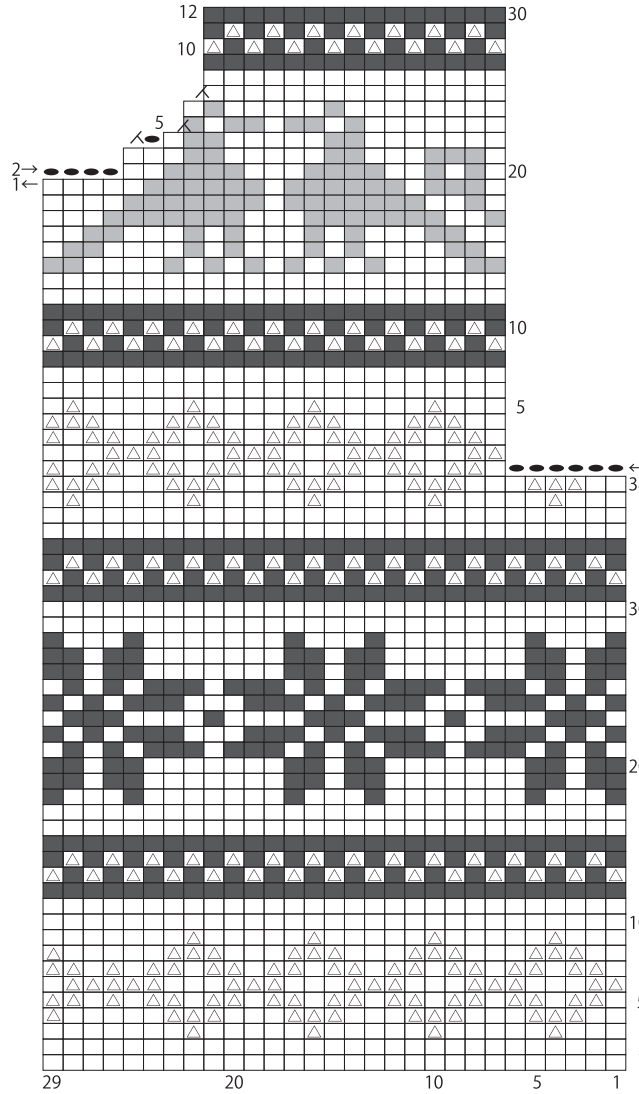
□ = □ knit



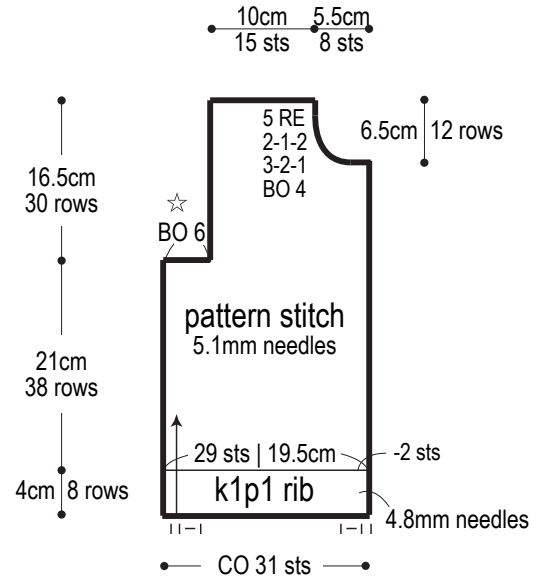
### Pattern stitch: left front

5.1mm needles

□ = □ knit



### Right front



### Buttonholes

k1p1 rib, 4.8mm needles

