

Coquelicot Skirt



Suggested yarn:

- Keito-Zakka Stores Coquelicot [100% cotton; 83 yds/76m per 1.41 oz./40g skein]; color #06 chamomile, 5 skeins [200g]

Tools/Notions:

- 3.5mm (US E) crochet hook or size necessary to achieve gauge
- elastic for waistband (2.5cm/0.98" wide, 52cm/20.47" long)

Finished measurements:

- waist 50cm/19.69"
- length 35.5cm/13.98"

Gauge (10cm/4" square):

- pattern stitch A: 22.5 sts and 10.5 rows
- pattern stitch B: 22.5 sts and 16.5 rows

Gauge may vary according to individual crochet style. Change hook size if necessary to achieve gauge. Alternatively, rework pattern with your own gauge measurements.

Crochet Tips

Skirt section: Work chain to begin, then work in pattern stitch A, increasing as indicated. Make 2 of the same piece.

Finishing: Seam sides with chain seam (alternation chain stitches and slip stitches as needed to maintain pattern). Work 1 round of edging. Working into bottom loops of foundation chain at waist, work pattern stitch B in the round. Fold waistband where indicated on schematic. Tack down waistband with whipstitch while inserting elastic into waistband casing as you go.

Abbreviations:

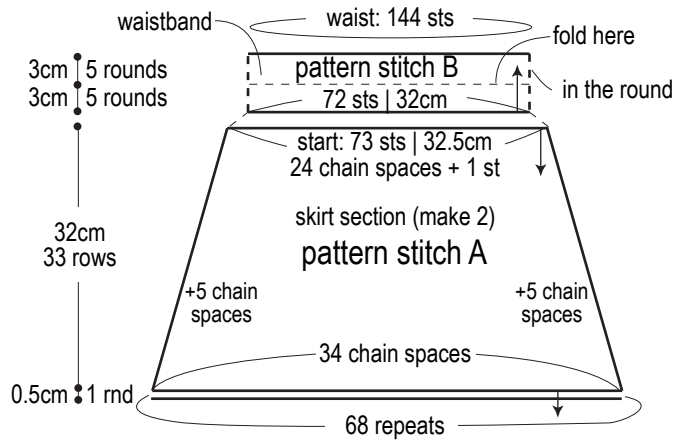
ch = chain

m = magic ring

rep = pattern repeat(s)

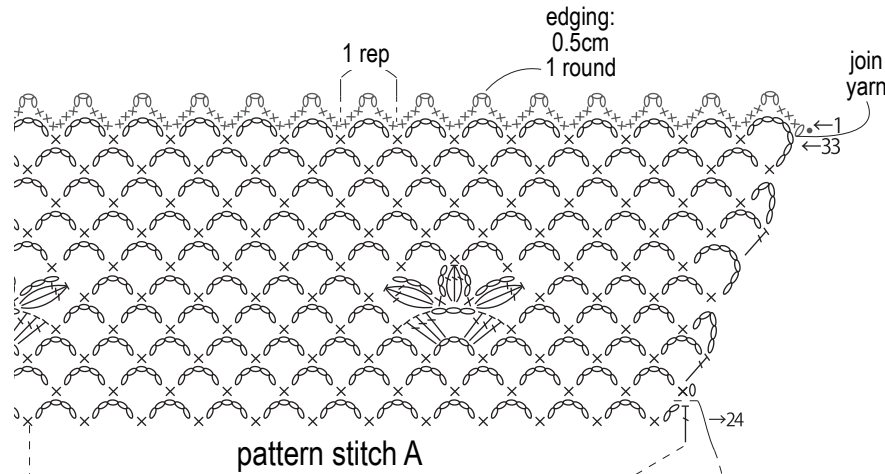
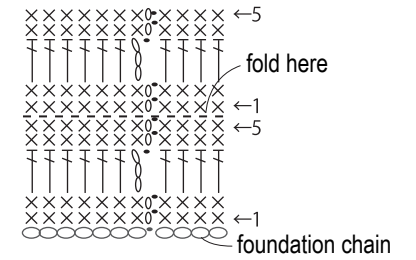
Skirt

2.3mm hook

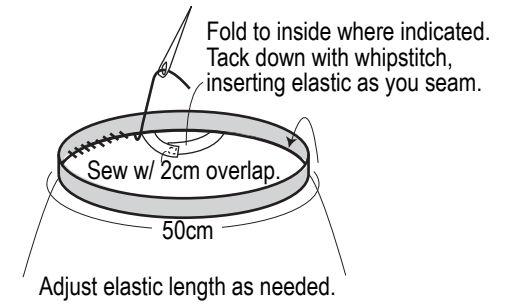


Pattern stitch B

3.5mm hook



Waistband



Finishing

