

# 211w-23 Rover Hat and Scarf



## Suggested yarn:

- Pierrot Yarns Rover [100% wool; 61 yds/56m per 1.41 oz./40g skein];
  - hat:
    - color #01 off-white, 1 skein [35g]
    - color #02 grage, 2 skeins [75g]
  - scarf:
    - color #01 off-white, 1 skein [25g]
    - color #02 grage, 2 skeins [130g]

## Tools/Notions:

- 6.0mm (US 10) straight knitting needles or size necessary to achieve gauge
- 6.0mm (US 10) double-pointed knitting needles or size necessary to achieve gauge

## Finished measurements:

- hat:
  - head circumference 51cm/20.09"
  - length 18cm/7.09"
- scarf:
  - width 16cm/6.30"
  - length 131cm/51.57"

## Gauge (10cm/4" square):

- garter stitch: 14 sts and 24 rows
- pattern stitch: 14 sts and 17.5 rows

*Gauge may vary according to individual knitting style. Change needle size if necessary to achieve gauge. Alternatively, rework pattern with your own gauge measurements.*

## Knitting Tips

**Body of hat:** Cast on with long-tail cast-on method. Work in garter stitch and pattern stitch in the round. Work evenly spaced decreases at top of hat. Thread yarn through remaining 12 stitches and cinch top of hat shut.

**Earflaps:** Cast on as for body of hat. Work in garter stitch. Seam to body of hat where indicated. Repeat for second ear.

**Hat finishing:** Braid ties and seam to earflaps. Fasten pompom to top of hat.

**Scarf:** Cast on with long-tail cast-on method. Work in garter stitch and pattern stitch.

## Abbreviations:

BO = bind off

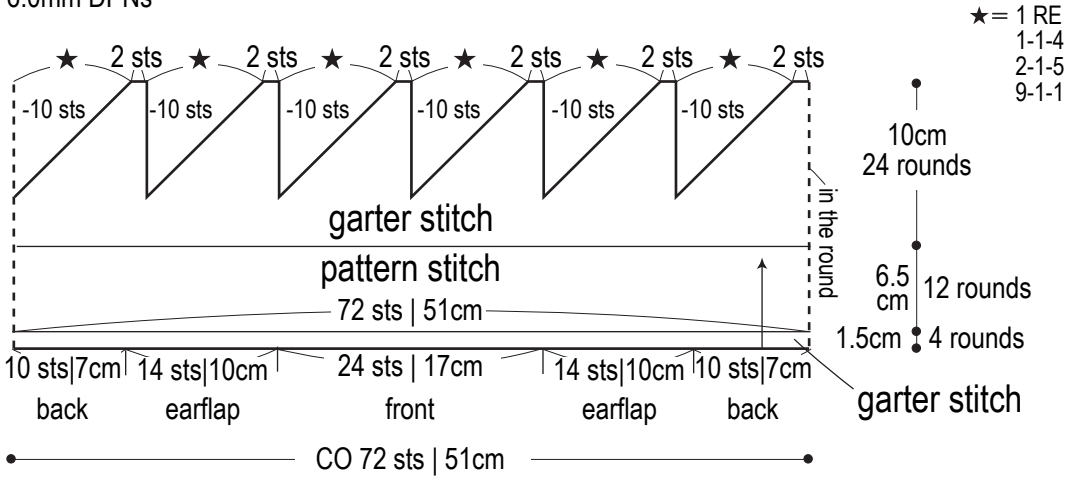
CO = cast on

RE = row(s) even

### = rows-stitches-times

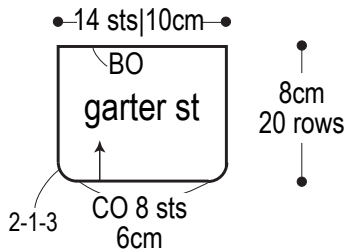
# Hat schematic

6.0mm DPNs

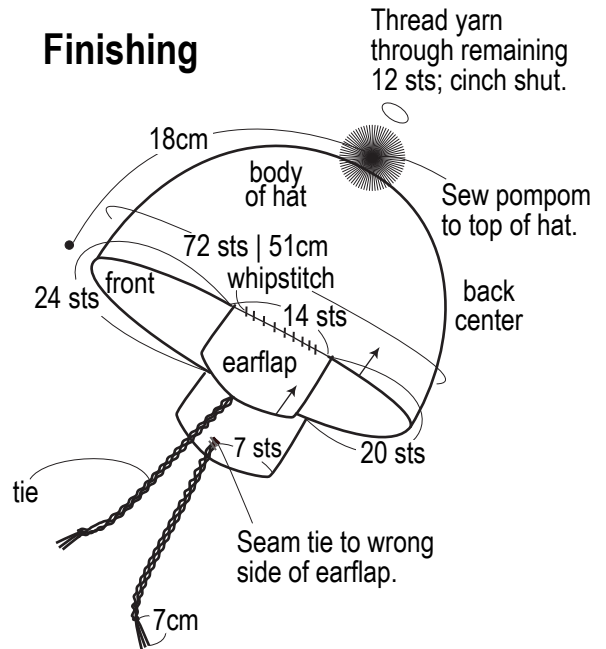


## Earflap (make 2)

6.0mm needles

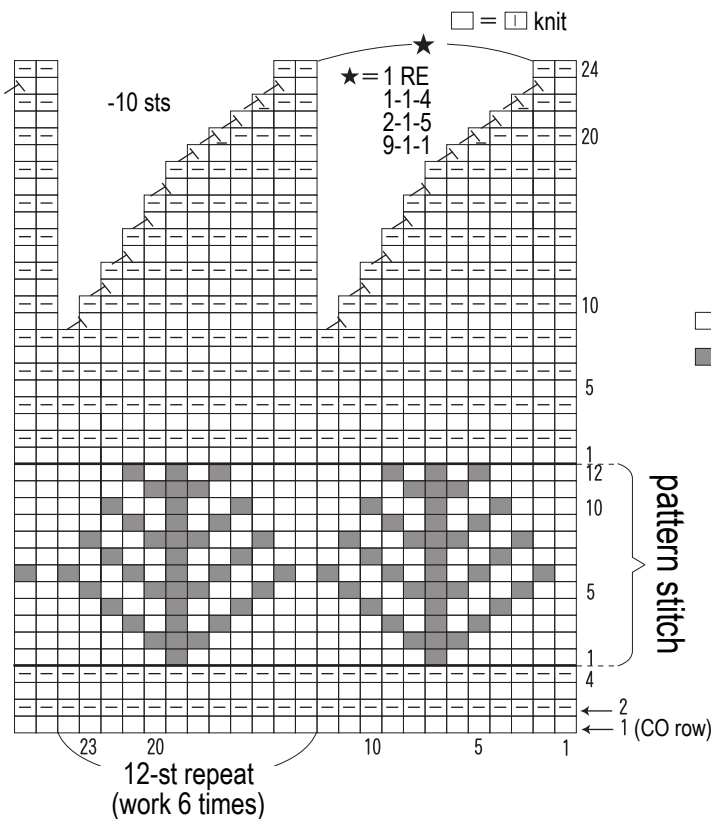


## Finishing



## Pattern stitch & decreases for top

6.0mm DPNs

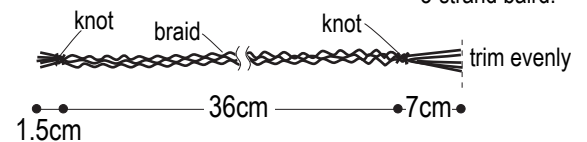


□ = #01 off-white  
 ■ = #02 grage

## Tie (make 2)

#01 off-white: 6 strands, each 60cm long  
 #02 grage: 6 strands, each 60cm long

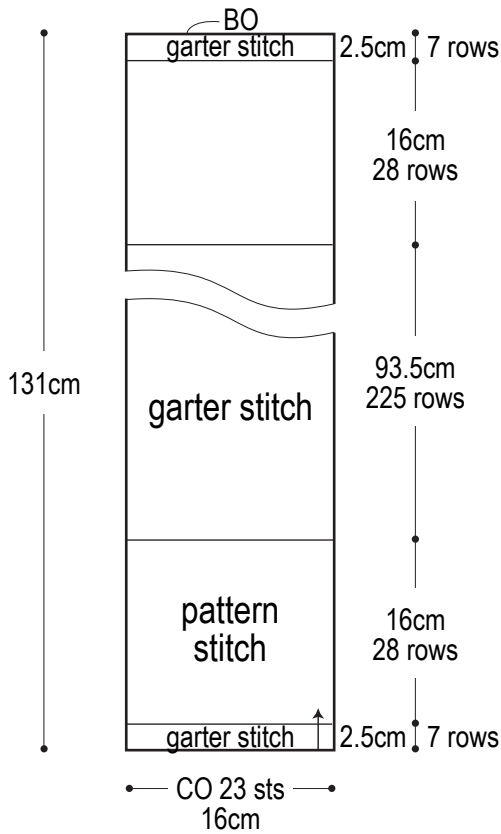
Divide into 3 groups of 2 strands each (#01 and #02). Work 3-strand braid.



\*Make each braid 44.5cm long (including tassel).

## Scarf schematic

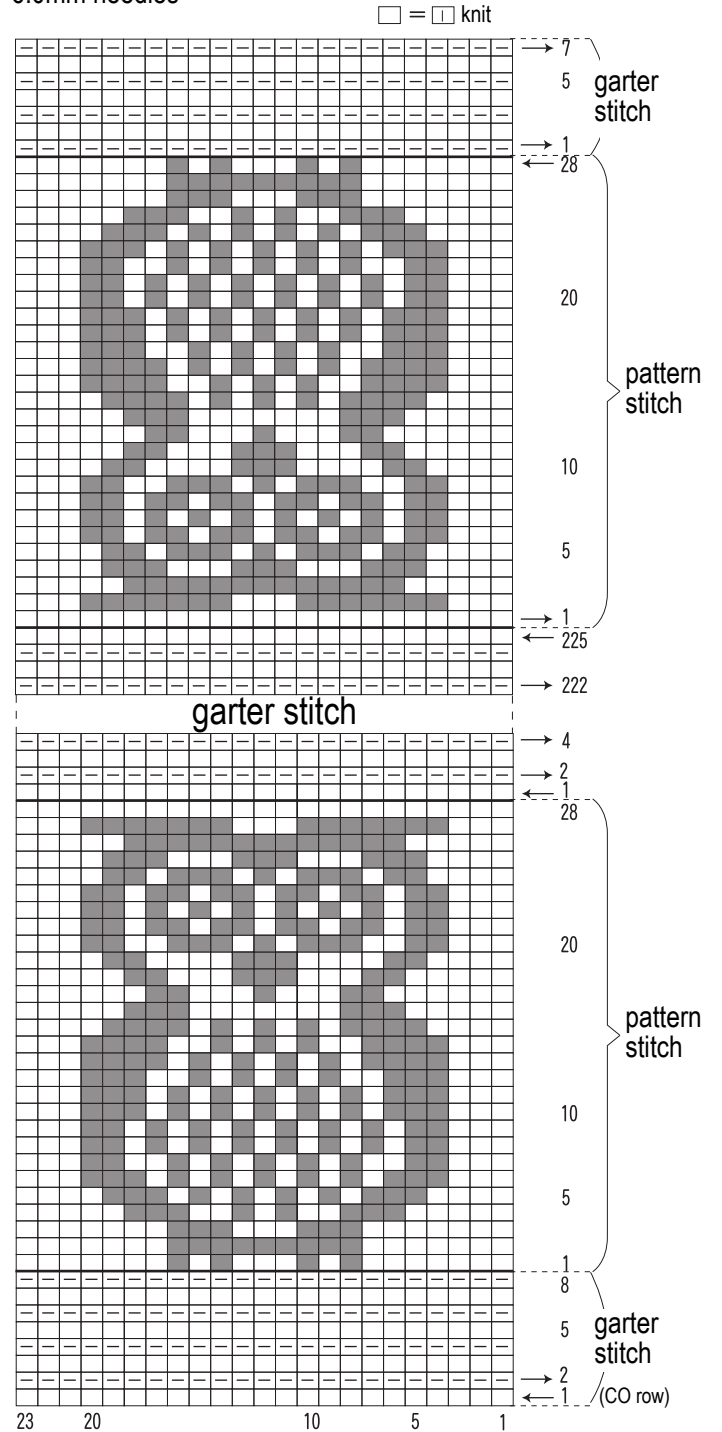
6.0mm needles



□ = #01 off-white  
 ■ = #02 grage

## Scarf: pattern stitch

6.0mm needles



## Pompom instructions

#01 off-white } 2 strands (1 of each color)  
 #02 grage

