

# 210-211-11-1 Marshmallow Baby Set



## Suggested yarn:

- Pierrot Yarns Marshmallow Cotton [100% cotton; 153 yds/140m per 1.06 oz./30g skein]; natural undyed color, 7 skeins [195g]

## Tools/Notions:

- 3.3mm (approx. US 3) straight knitting needles or size necessary to achieve gauge
- 3.0mm (US 2½) & 3.3mm (approx. US 3) double-pointed knitting needles or sizes necessary to achieve gauge
- 2.3mm (approx. US B) crochet hook or size necessary to achieve gauge
- 4 buttons (20mm/0.79")
- elastic for waistband: 1cm/0.39" wide, 46cm/18.11" long

## Finished measurements:

- jacket:
  - chest 68cm/26.77"
  - cross back width 27cm/10.63"
  - back length 30.5cm/12.01"
  - sleeve length 23cm/9.06"
- pants:
  - hip circumference 47cm/18.50"
  - thigh circumference 40cm/15.75"
- hat:
  - head circumference 45cm/17.72"

## Gauge (10cm/4" square):

- stockinette stitch: 27 sts and 34 rows
- seed stitch: 27 sts and 37 rows

*Gauge may vary according to individual knitting style. Change needle size if necessary to achieve gauge. Alternatively, rework pattern with your own gauge measurements.*

## Knitting Tips

### JACKET

**Back and front body & sleeves:** Cast on with long-tail cast-on method, then work in seed stitch and stockinette stitch.

**Pockets & button loops:** Cast on for pocket with long-tail cast-on method. Work in seed stitch. Crochet 4 button loops according to schematic.

**Finishing:** Seam shoulders with crochet slip stitch seam. Seam sleeves to body with crochet slip stitch seam, but where indicated, seam with mattress stitch instead. Seam sides and sleeve undersides in one continuous mattress stitch seam (per side). Pick up stitch around neckline and along front edges; work collar and button band in seed stitch. Work sc edging around hem, front bands, and collar in one continuous round. Also work sc edging in the round around cuff edge of sleeves. Sew pockets, button loops, and buttons to jacket where indicated.

### PANTS

Cast on with long-tail cast-on method, then work in seed stitch according to schematic. [\*Note: reverse shaping of left side to work right side.] Seam inseam with mattress stitch, then change to circular needles and work waistband in stockinette stitch in the round. At both right and left cuff edges, work hem edging in k1p1 ribbing in the round.

**Finishing:** Fold waistband to inside at fold line, securing elastic inside waistband and sewing BO edge to inside.

### HAT

Cast on with long-tail cast-on method, then work seed stitch and stockinette stitch in the round. From round 25 of stockinette section onward, work decreases evenly spaced around hat (in 12 locations). Work 1 round of sc edging around hem. Knit earflaps and crochet ties, then sew them to hat where indicated.

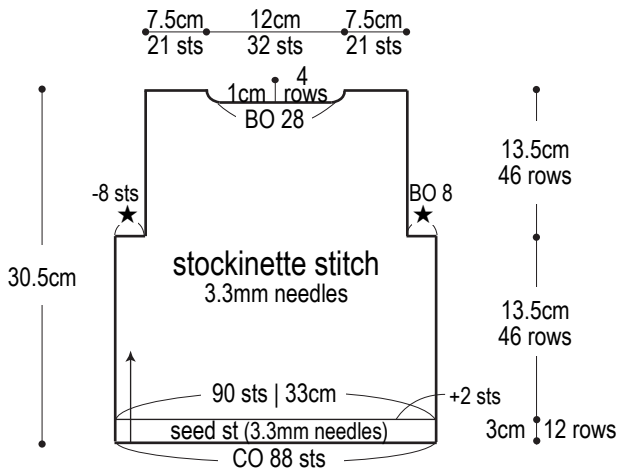
### Abbreviations:

BO = bind off  
ch = chain stitch  
CO = cast on

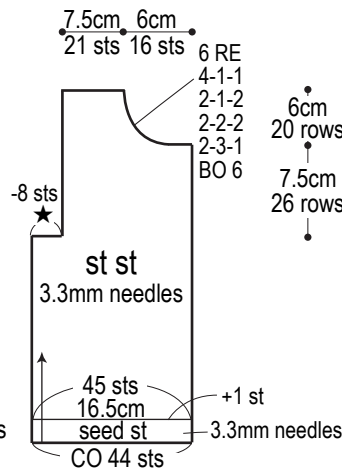
DPNs = double-pointed knitting needles  
PU = pick up  
RE = row(s) even

sc = single crochet (US)  
### = rows-stitches-times

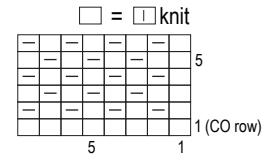
## Back



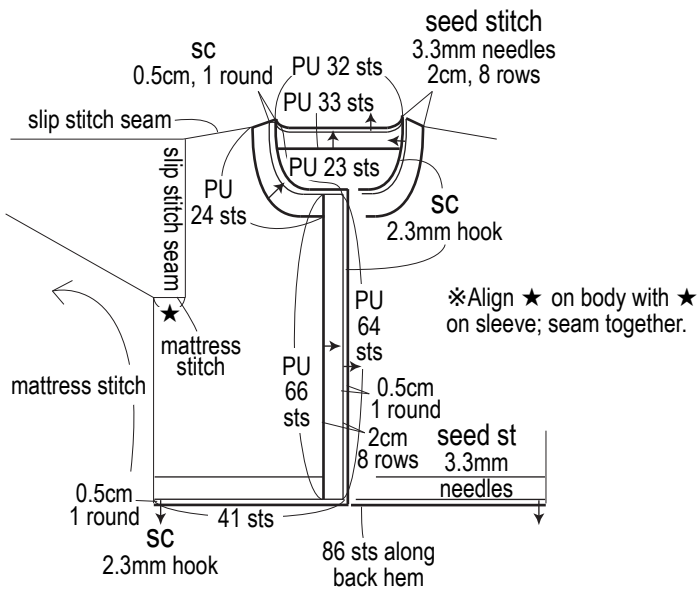
## Front



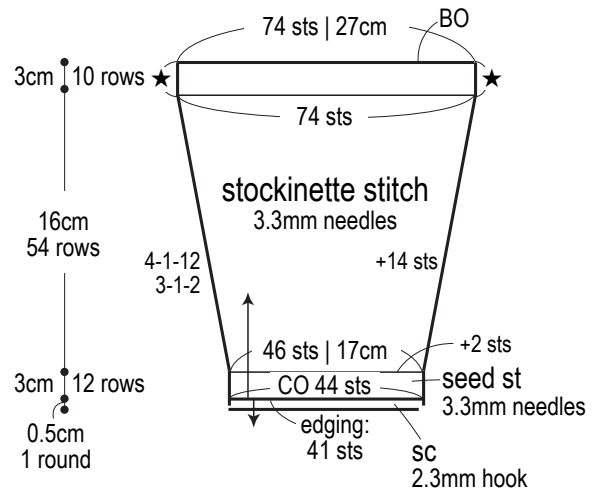
## Seed stitch



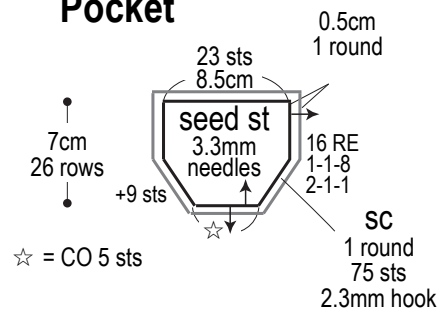
## Finishing



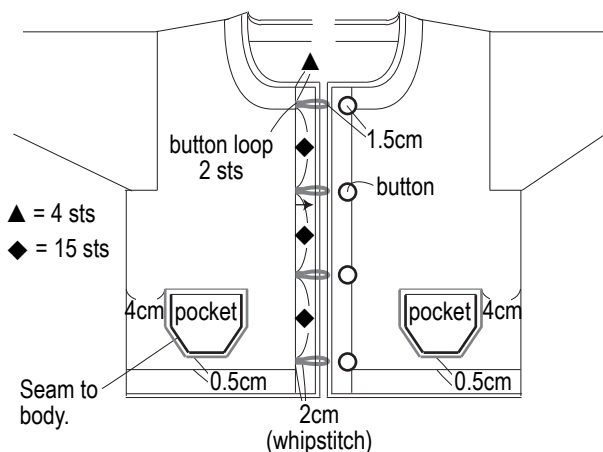
## Sleeve



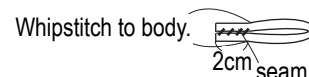
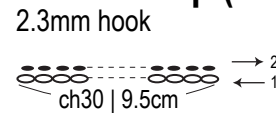
## Pocket



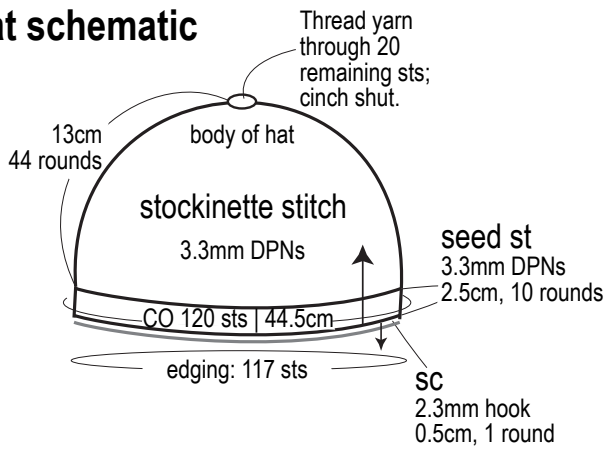
## Finished jacket



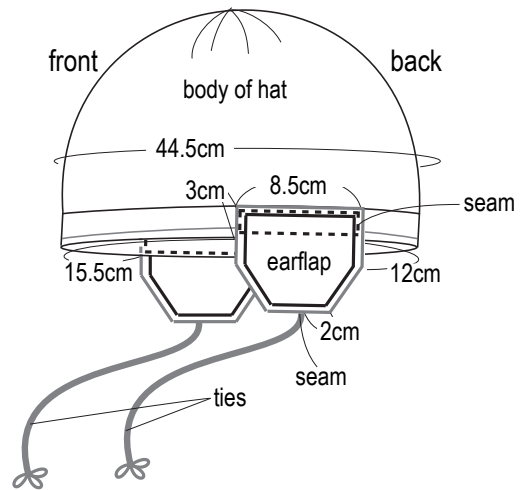
## Button loop (make 4)



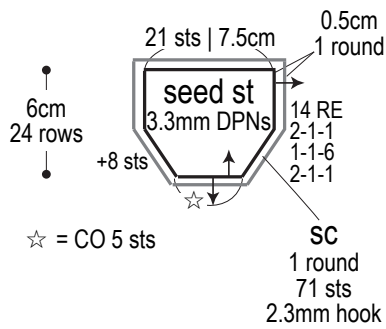
## Hat schematic



## Finishing

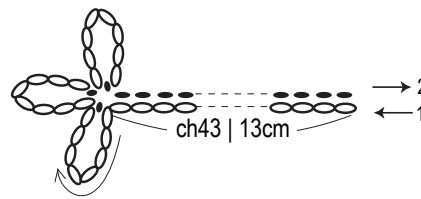


## Earflap (make 2)



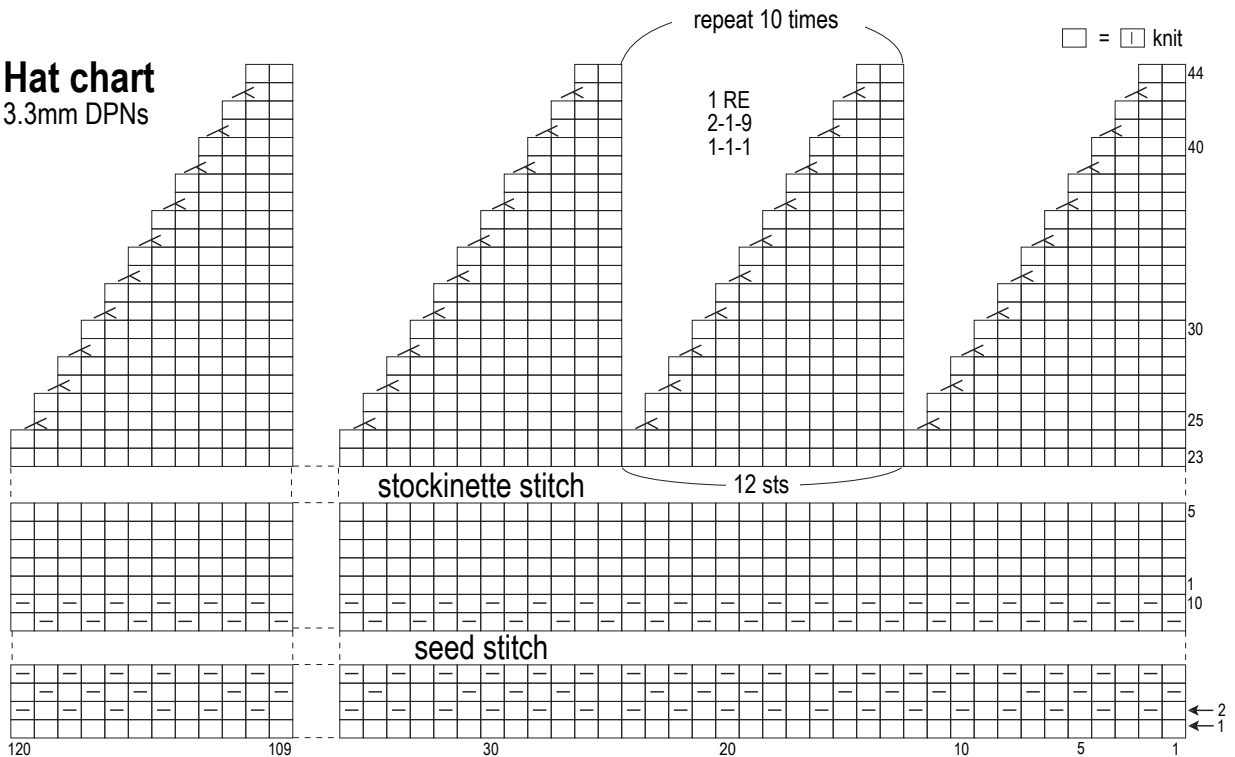
## Tie (make 2)

2.3mm hook



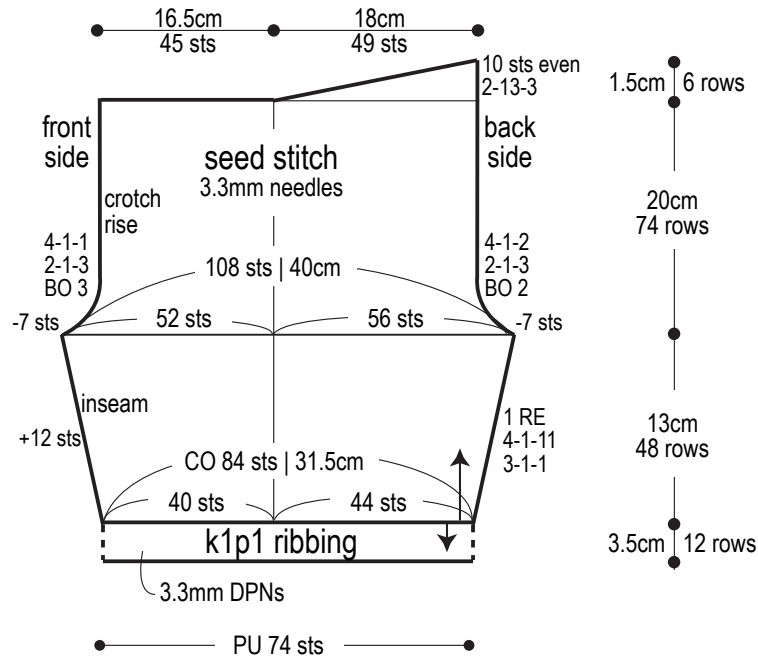
## Hat chart

3.3mm DPNs

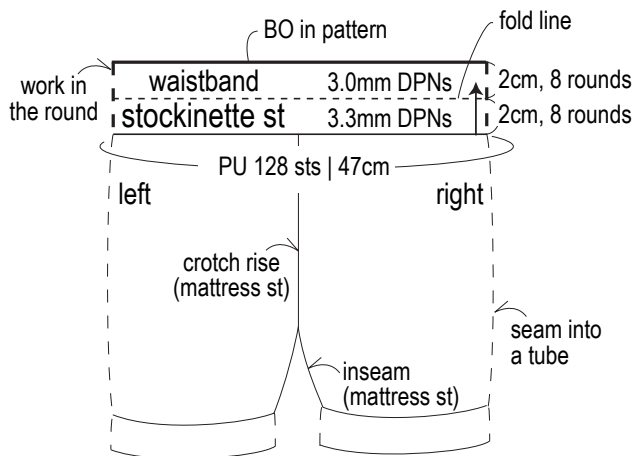


# Pants: left side

※Reverse shaping of left side for right side.



# Finishing



※Seam crotch rise in one continuous seam (front to back) after seaming inseam.

