

213s-16 Cat-eared Hoodie



Suggested yarn:

- Pierrot Yarns Dolce Lino [64% cotton, 36% linen; 115 yds/105m per 1.76 oz./60g skein]; color #08 pink/green/blue, 6 skeins [260g]
- Pierrot Yarns Cotton Neat S [100% cotton; 104 yds/95m per 1.41 oz./40g skein];
 - color #01 white, 1 skein [small amount]
 - color #03 black, 1 skein [10g]
 - color #35 marrone brown, 1 skein [15g]

Tools/Notions:

- 3.6mm (approx. US 4 or 5) and 3.9mm (approx. US 6) straight knitting needles or sizes necessary to achieve gauge
- 3.6mm (approx. US 4 or 5) double-pointed knitting needles or size necessary to achieve gauge
- 3.0mm (approx. US C or D) crochet hook or size necessary to achieve gauge
- 4 buttons (12mm/0.47")
- small amount embroidery thread (pink, turquoise green)

Finished measurements:

- chest 75cm/29.53"
- cross back width 30cm/11.81"
- length 38cm/14.96"
- sleeve length 13cm/5.12"

Gauge (10cm/4" square):

- pattern stitch and stockinette stitch: 20 sts and 26 rows

Gauge may vary according to individual knitting style. Change needle size if necessary to achieve gauge. Alternatively, rework pattern with your own gauge measurements.

Knitting Tips

Back & front body: Cast on with long-tail cast-on method. Work in both pattern stitch and garter stitch within each row. For back and right front, crochet a chain 30 sts long ahead of time; this will be used to pick up stitches. On row 11 of back and right front, pick up new stitches from the crochet chain. Left front is worked starting from the front center.

Sleeves & pockets: Cast on as for body. Work sleeve in garter stitch, then stockinette stitch. Work pocket in both garter stitch and stockinette stitch within the same row.

Hood: Pick up stitches along back and front body. Work hood in stockinette stitch. Bind off by grafting stitches together with Kitchener stitch with wrong sides facing each other.

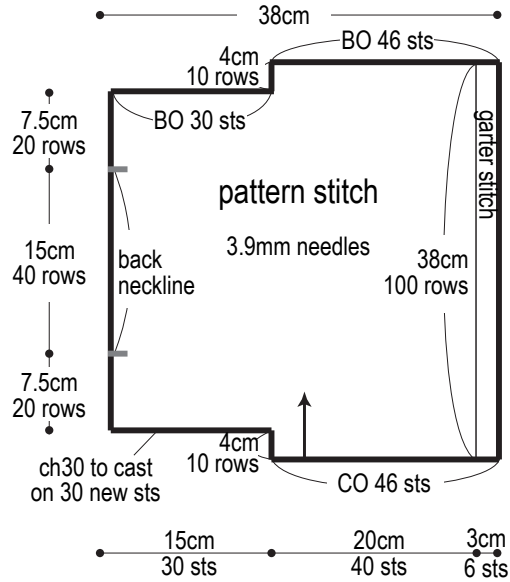
Finishing: Seam shoulders with mattress stitch. Seam sleeves to body with crochet slip stitch seam. Seam gusset with mattress stitch. Seam sides together with right sides facing each other with crochet slip stitch seam. Seam undersides of sleeves with mattress stitch. Pick up stitches around front edges and hood edge, seaming ears to hood as you pick up these stitches. Work edging in garter stitch, then bind off from wrong side. Work buttonholes in left front buttonband. Fasten buttons to right front buttonband. Crochet cat and logo appliqués and fasten to garment.

Abbreviations:

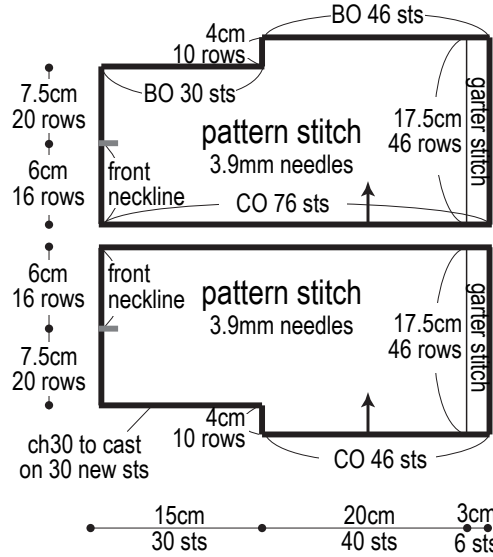
BO = bind off ch = chain stitch CO = cast on m = magic ring PU = pick up RE = row(s) even #-#-# = rows-stitches-times

※Body, sleeves, hood, buttonband, and pockets worked in Dolce Lino #636.

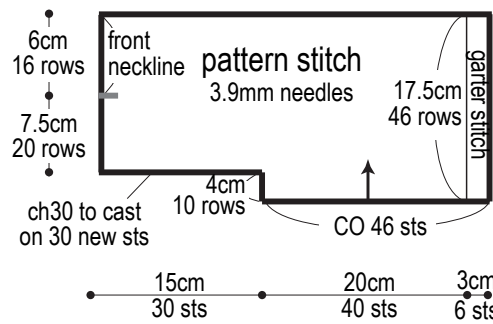
Back



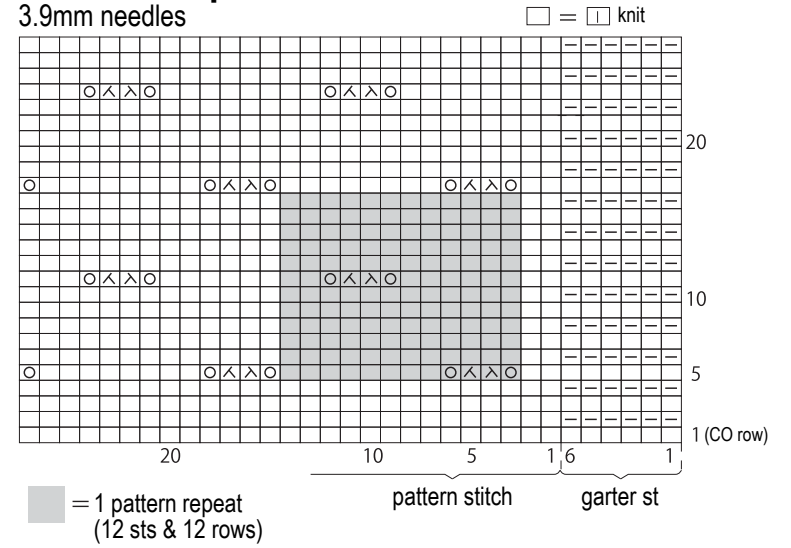
Left front



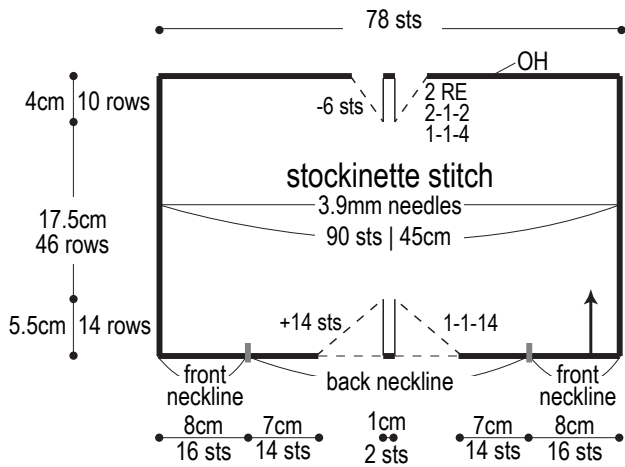
Right front



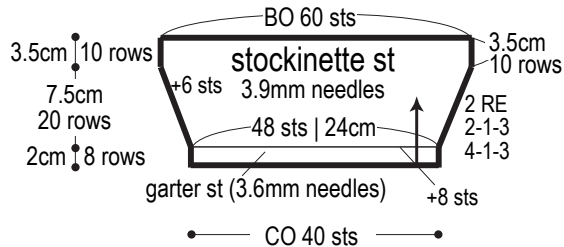
Garter st & pattern st



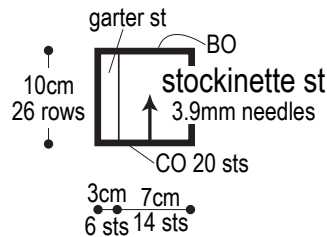
Hood



Sleeve

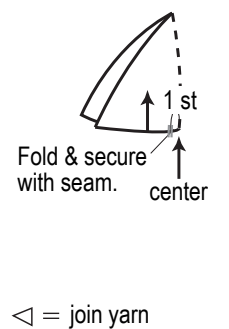
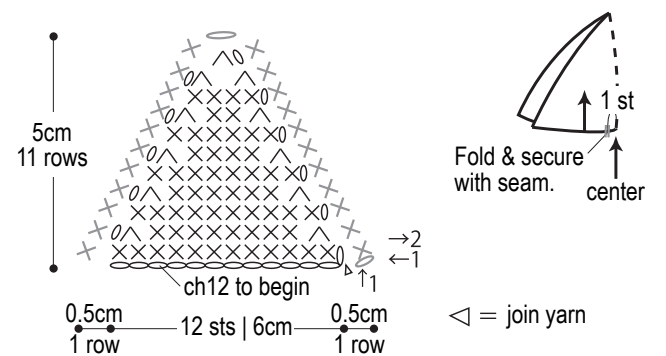


Pocket



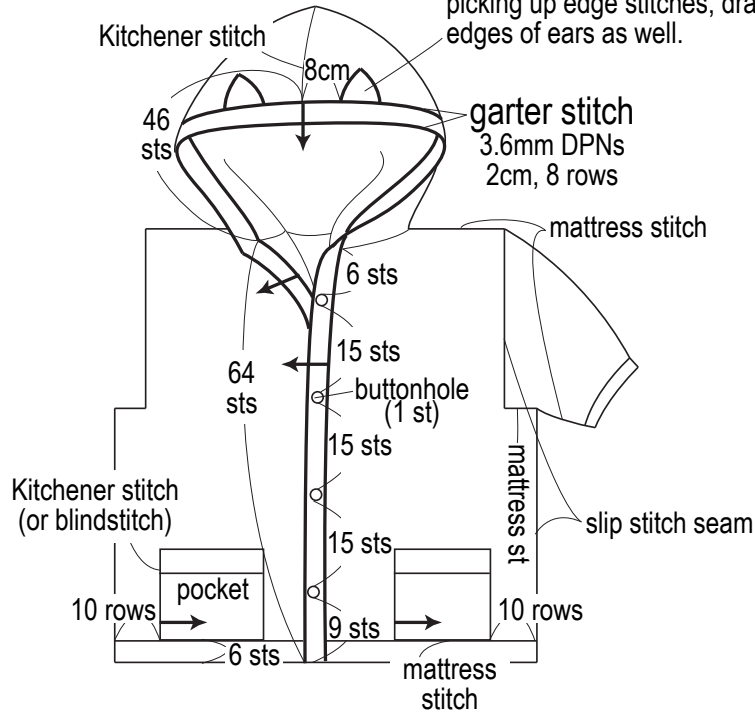
Cat ears (make 2)

3.0mm hook, Dolce Lino #636



Finishing

Seam ears to hood while working garter stitch edging along edge of hood. When picking up edge stitches, draw yarn through edges of ears as well.



Use this QR code on your smartphone to view a video about how to seam cat ears to hood.



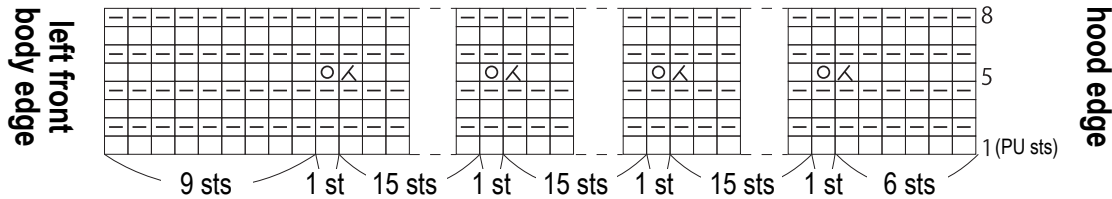
※To view on computer, use the link below or search on the Pierrot Yarns website instead.

検索

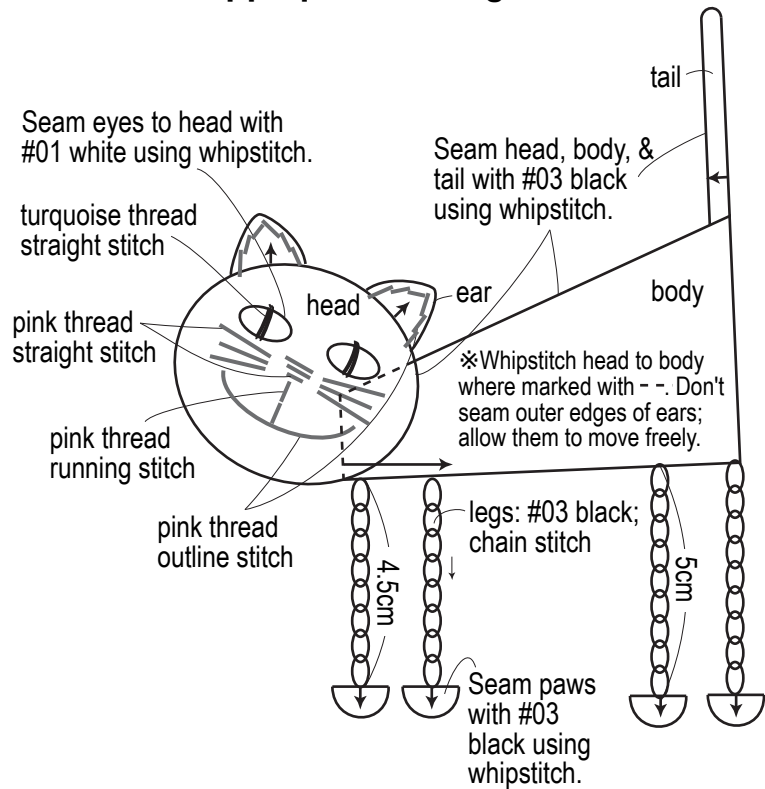
http://www.youtube.com/watch?v=Zz5_TDt_K_g

Buttonholes (3.6mm DPNs)

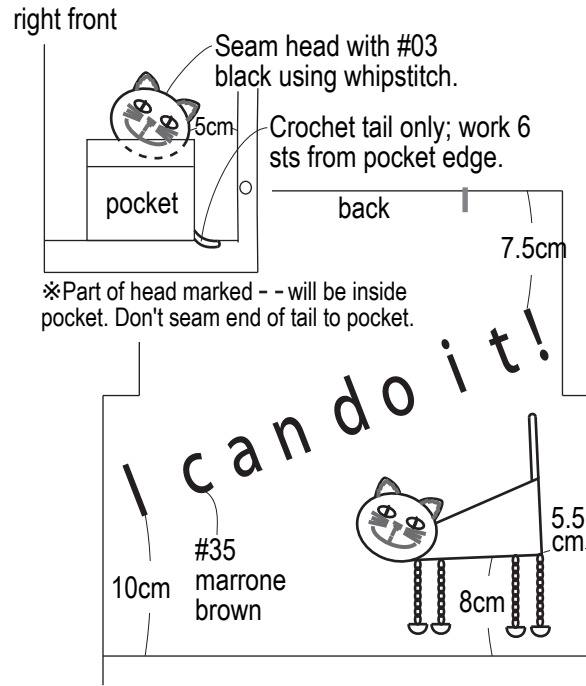
□ = □ knit



Cat appliqué finishing

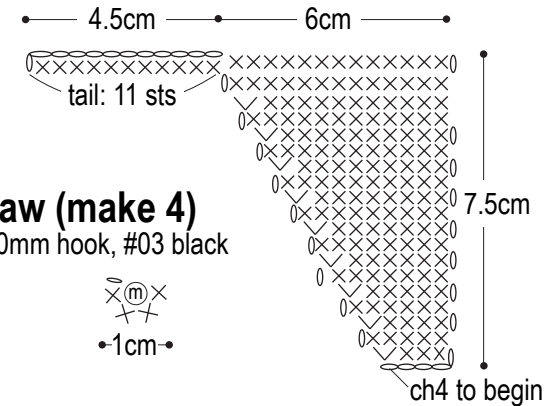


Appliqué placement



Body & tail (make 1)

3.0mm hook, #03 black



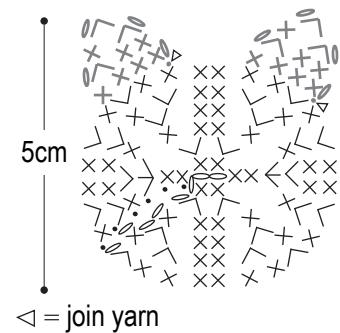
Paw (make 4)

3.0mm hook, #03 black



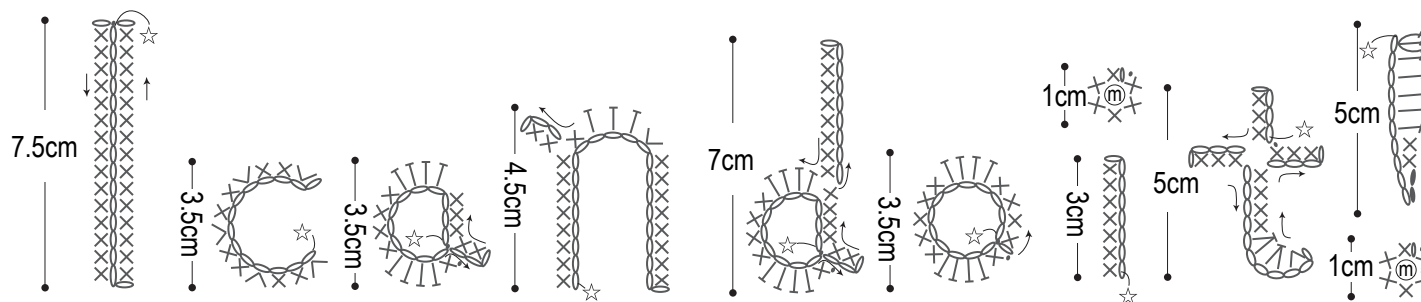
Head & ears (make 2)

3.0mm hook, #03 black



Logo instructions

3.0mm hook, #35 marrone brown



Eye (make 4)

3.0mm hook, #01 white

☆ = start

*Letters a, d, and o: work sts into center of ring around chain stitches (not into chain sts).

