

213s-15 Orgabits One Vest



Suggested yarn:

- Pierrot Yarns Orgabits One [100% cotton, including 10% organic cotton from Orgabits; 142 yds/130m per 1.41 oz./40g skein];
 - vest:
 - color #09 oriental blue, 4 skeins [125g]
 - color #10 pink flambé, 1 skein [5g]
 - color #11 emerald, 1 skein [5g]
 - color #15 natural, 1 skein [5g]
 - emblem:
 - color #04 powder blue, 1 skein [5g]
 - color #09 oriental blue, 1 skein [5g]
 - color #11 emerald, 1 skein [small amount]
 - color #15 natural, 1 skein [small amount]

Tools/Notions:

- 3.0mm (US 2½) and 3.3mm (approx. US 3) straight knitting needles or size necessary to achieve gauge
- 3.0mm (US 2½) double-pointed knitting needles or size necessary to achieve gauge
- 2.5mm (approx. US B or C) crochet hook or size necessary to achieve gauge
- safety pin
- yellow embroidery thread

Finished measurements:

- chest 76cm/29.92"
- cross back width 31.5cm/12.40"
- length 41cm/16.14"

Gauge (10cm/4" square):

- stockinette stitch: 25 sts and 34 rows
- single crochet (US): 24 sts and 29 rows

Gauge may vary according to individual knitting style. Change needle size if necessary to achieve gauge. Alternatively, rework pattern with your own gauge measurements.

Knitting Tips

Back & front body: Cast on with long-tail cast-on method. Work in striped k1p1 ribbing, then in stockinette stitch. Leave 1 stitch at front center on stitch holder for collar, then work right and left sides separately.

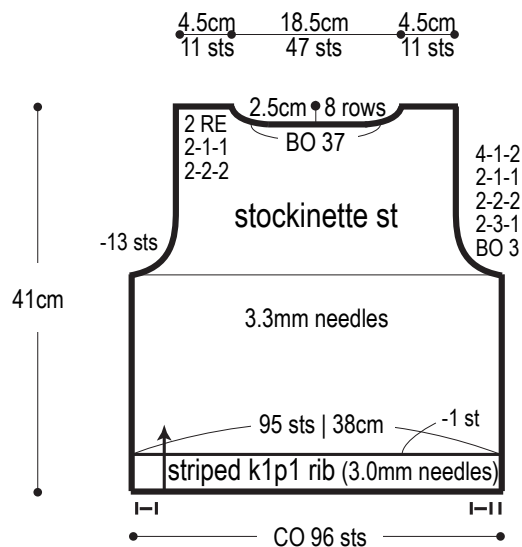
Finishing: Seam shoulders with crochet slip stitch seam. Seam sides with mattress stitch. Pick up stitches around armholes and work k1p1 edging in the round. Pick up stitches around neckline, including 1 st on hold at center neckline, and work V neck edging in striped k1p1 ribbing. Bind off in pattern.

Emblem: Work foundation chain to begin. Work in sc, changing yarn colors when indicated. Work 1 round of crab stitch edging around outer edges of emblem. Embroider as shown. Fasten safety pin to back of emblem.

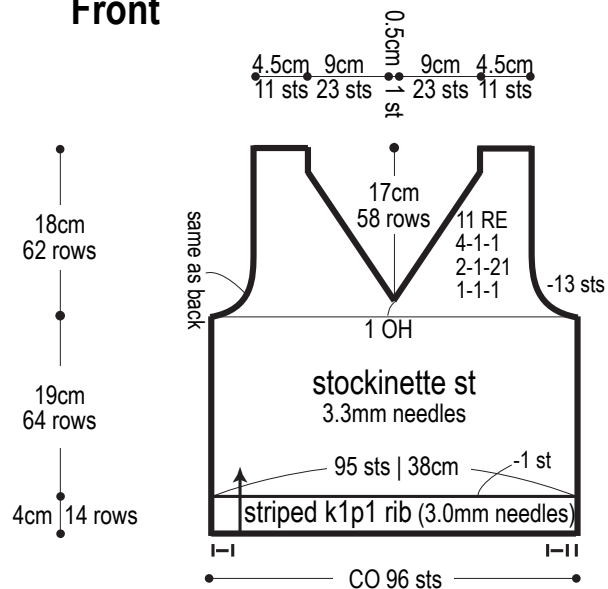
Abbreviations:

BO = bind off ch = chain CO = cast on OH = on hold (place on stitch holder) PU = pick up RE = row(s) even sc = single crochet (US)
= rows-stitches-times

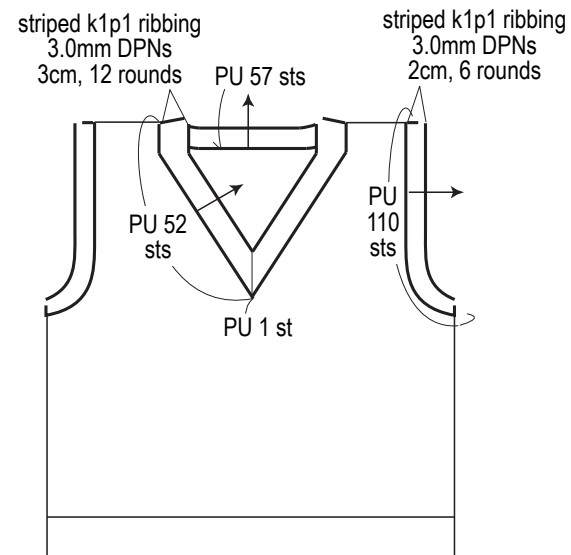
Back



Front

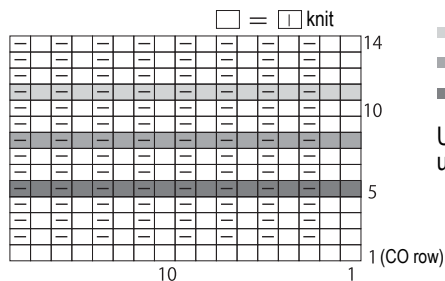


Collar & arm edging



Hem: striped k1p1 ribbing

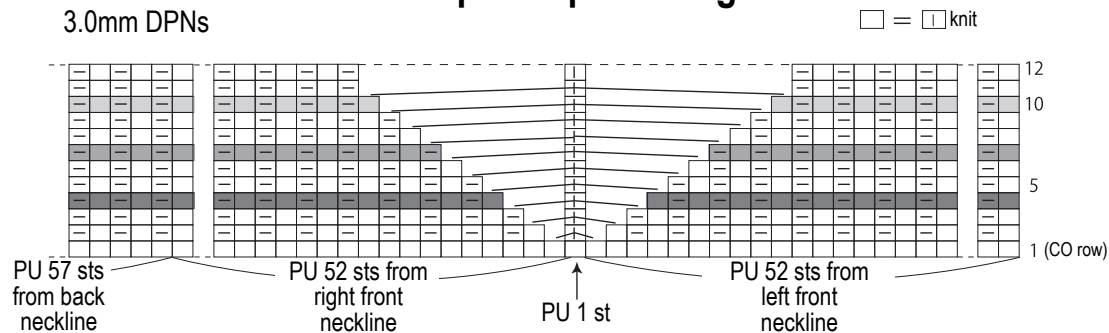
3.3mm needles



※Prepare 2 skeins of color #09 oriental blue for striped k1p1 ribbing.

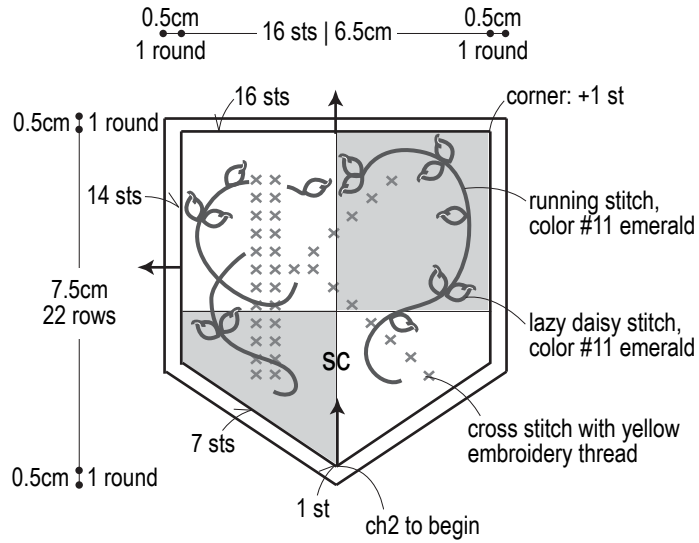
V-neck decreases & striped k1p1 ribbing

3.0mm DPNs



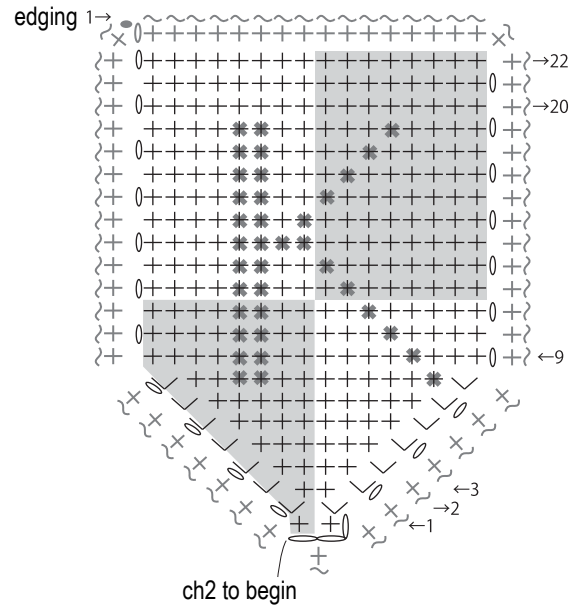
Emblem schematic

2.5mm hook

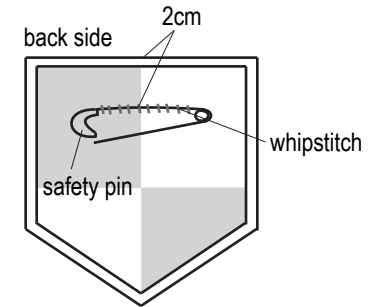


Emblem chart

2.5mm hook



How to fasten safety pin



- = #09 oriental blue
Elsewhere, use #04 powder blue.
- ✕ = cross stitch with yellow embroidery thread
- ⌞ = crab stitch, #15 natural