

# 28-29-3 Pullover



## Suggested yarn:

- Pierrot Yarns Soft Merino [100% merino wool; 104 yds/95m per 1.41 oz./40g skein];
  - children's size: color #7 brown, 8 skeins [320g]
  - adult size: color #11 gray, 12 skeins [470g]

## Tools/Notions:

- 3.9mm (approx. US 7) and 4.2mm (approx. US 7 or 8) straight knitting needles or sizes necessary to achieve gauge
- 3.9mm (approx. US 7) and 4.2mm (approx. US 7 or 8) double-pointed or circular knitting needles or sizes necessary to achieve gauge

## Finished measurements:

- children's size:
  - chest 78cm/30.71"
  - cross back width 30cm/11.81"
  - length 49cm/19.29"
  - sleeve length 46cm/18.11"
- adult size:
  - chest 98cm/38.58"
  - cross back width 40cm/15.75"
  - length 58cm/22.83"
  - sleeve length 54cm/21.26"



## Gauge (10cm/4" square):

- stockinette stitch: 21 sts and 30 rows

*Gauge may vary according to individual knitting style. Change needle size if necessary to achieve gauge. Alternatively, rework pattern with your own gauge measurements.*

## Knitting Tips

**Body and sleeves:** Cast on with crochet provisional cast-on method. Work in stockinette stitch. Shape sleeve edges by working lifted increases 1 stitch in from the edge. Shape armscye and neckline by working decreases 1 stitch in from the edge. Bind off stitches at sleeve cap as indicated. **Children's size:** Pick up live stitches around hem and cuff areas; work k2p2 ribbing, increasing evenly spaced across row 1. Bind off ribbing in pattern. **Adult size:** Pick up live stitches around hem and cuff areas; work k2p2 ribbing until last row. Work last row in k1p1 ribbing, then bind off with 1x1 tubular bind-off method.

**Collar:** Seam shoulders with three-needle bind-off. Pick up stitches around neckline. Work collar in k2p2 ribbing, changing needle size once when indicated to alter gauge. Bind off as for hem. (For adult size only, work last round in k1p1 ribbing, then bind off with 1x1 tubular bind-off method.)

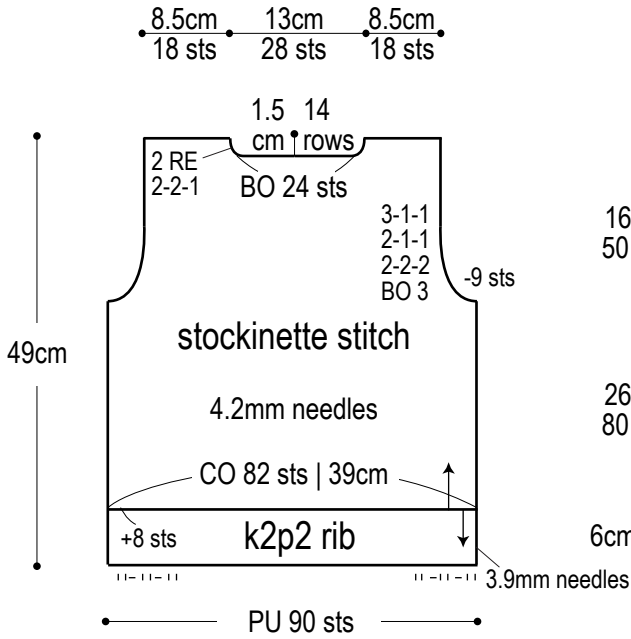
**Finishing:** Seam sides and sleeve undersides with mattress stitch. Seam sleeve to body with crochet slip stitch seam.

## Abbreviations:

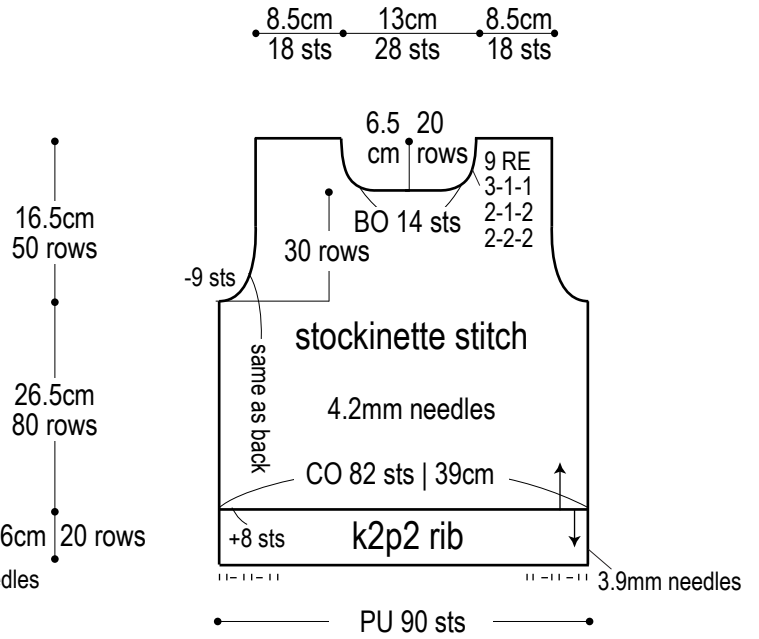
BO = bind off  
CO = cast on  
k = knit stitch  
p = purl stitch  
PU = pick up  
RE = row(s) even  
#-#-# = rows-stitches-times

# Children's size

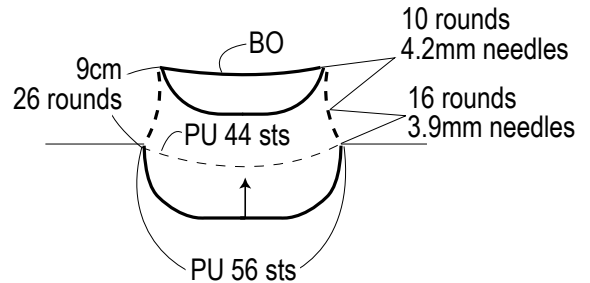
## Back



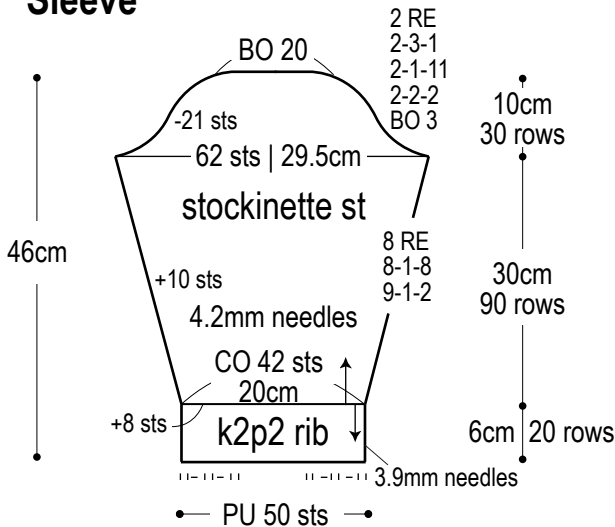
## Front



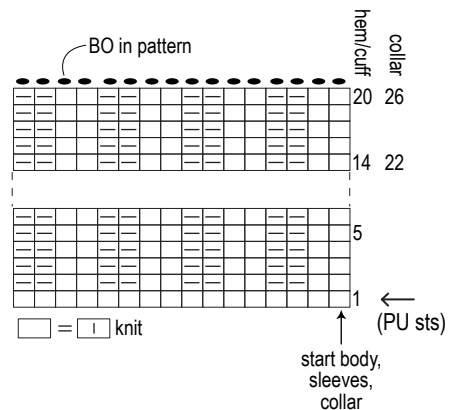
## Collar: k2p2 ribbing



## Sleeve

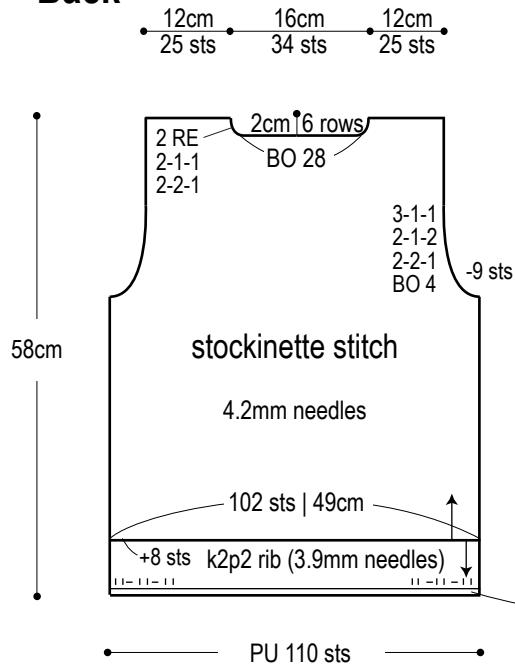


## Hem, cuff, & collar edging

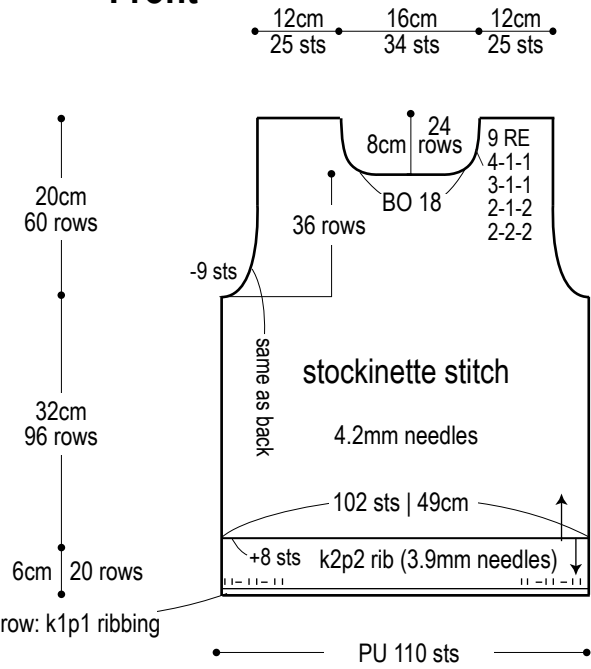


# Adult size

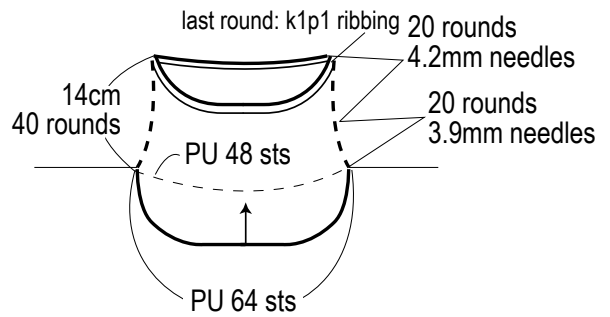
## Back



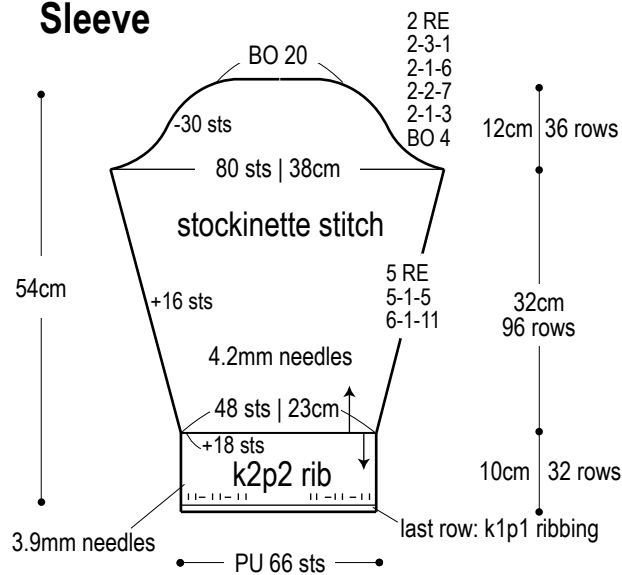
## Front



## Collar: k2p2 ribbing



## Sleeve



## Hem, cuff, & collar edging

