

# 25-5 Drop-stitch Sweater



## Suggested yarn:

- Pierrot Yarns Junmo Namibuto2/Pure Wool [100% superwash wool; 79 yds/72m per 1.41 oz./40g skein]; color #23 rose red, 5 skeins [200g]

## Tools/Notions:

- 4.5mm (US 7) knitting needles or size necessary to achieve gauge

## Finished measurements:

- chest 64cm/25.20"
- center back neck-to-cuff 22cm/8.66"
- length 45cm/17.72"

## Gauge (10cm/4" square):

- stockinette stitch: 17 sts and 28 rows
- k2p2 ribbing: 17.5 sts and 28 rows

*Gauge may vary according to individual knitting style. Change needle size if necessary to achieve gauge. Alternatively, rework pattern with your own gauge measurements.*

## Knitting Tips

**Body:** Cast on with long-tail cast-on method. Work 8 rows of garter stitch, then 78 rows of stockinette stitch. Following schematic, cast on 8 stitches at each end of row. Work in garter stitch and k2p2 ribbing. For back, bind off neckline stitches (leave the rest on the needles or stitch holder for a three-needle bind-off later). For front, work in one piece until indicated, then divide left and right sides and work them separately.

**Finishing:** Seam shoulders with three-needle bind-off. Seam sides with mattress stitch. Make two tassels and attach one to each tip of collar at the front.

## Abbreviations:

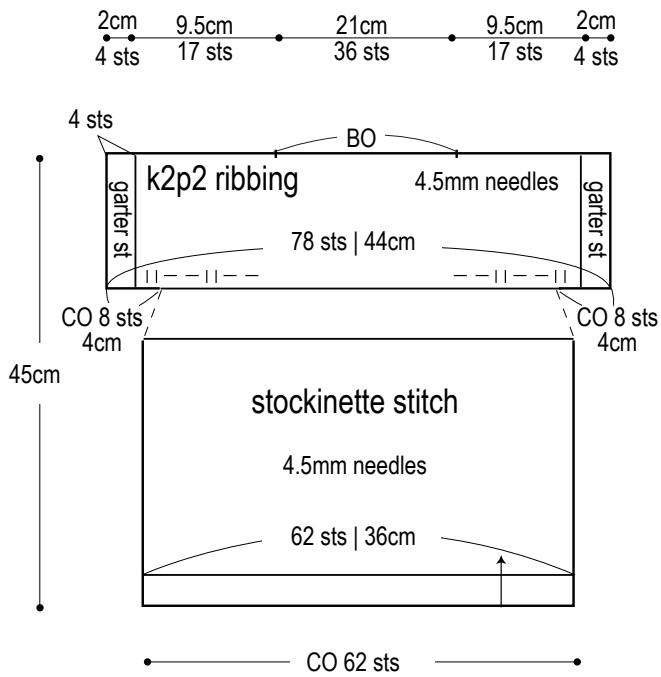
BO = bind off

CO = cast on

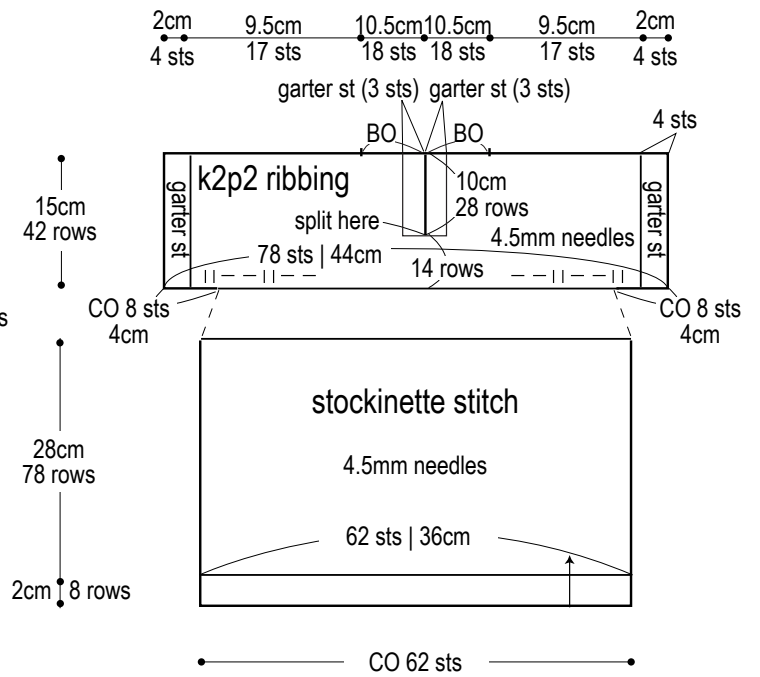
k = knit stitch

p = purl stitch

## Back



## Front



## Tassel placement

※Make tassel as follows: fold 5 strands of yarn (each 14cm long) in half, then secure with knot. Attach to tip of collar.

