

213ss-34 Carta Bolero



Suggested yarn:

- Pierrot Yarns Carta [90% cotton, 10% silk; 133 yds/122m per 1.41 oz./40g skein]; color #59 coral pink, 3 skeins [90g]

Tools/Notions:

- 3.6mm (approx. US 4 or 5) knitting needles or size necessary to achieve gauge
- 2.5mm (approx. US B or C) crochet hook or size necessary to achieve gauge
- 1 button (22mm/0.87")

Finished measurements:

- chest 67cm/26.38"
- cross back width 25.5cm/10.04"
- length 28cm/11.02"
- sleeve length 10cm/3.94"

Gauge (10cm/4" square):

- pattern stitch: 25 sts and 32 rows

Gauge may vary according to individual knitting style. Change needle size if necessary to achieve gauge. Alternatively, rework pattern with your own gauge measurements.

Knitting Tips

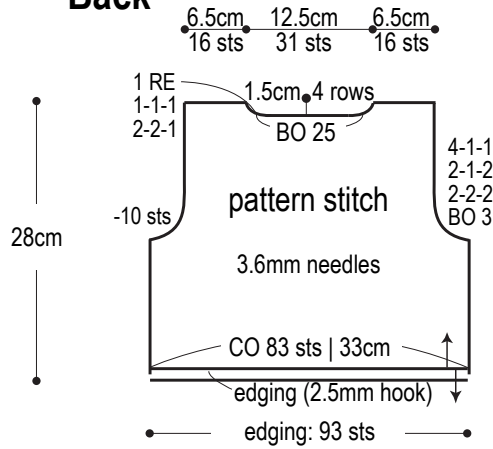
Back & front body; sleeves: Cast on with long-tail cast-on method. Work in pattern stitch. For front increases, use backwards-loop cast-on method for increases of two or more stitches, but use lifted increase when increasing just one stitch. Shape armhole and neckline by binding off stitches where indicated and by working decreases at the edges. Reverse all shaping of right front for left front, but keeping pattern stitch unchanged.

Finishing: Seam shoulders with crochet slip stitch seam. Seam sides and sleeve undersides with mattress stitch. Seam sleeves to body with crochet slip stitch seam. Work edging in the round at cuffs. Work edging in the round along neckline, front edges, and hem in one continuous round. Crochet button loop at right front. Sew button to left front.

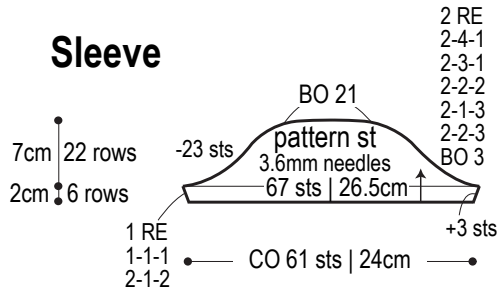
Abbreviations:

BO = bind off
ch = chain stitch
CO = cast on
RE = row(s) even
= rows-stitches-times

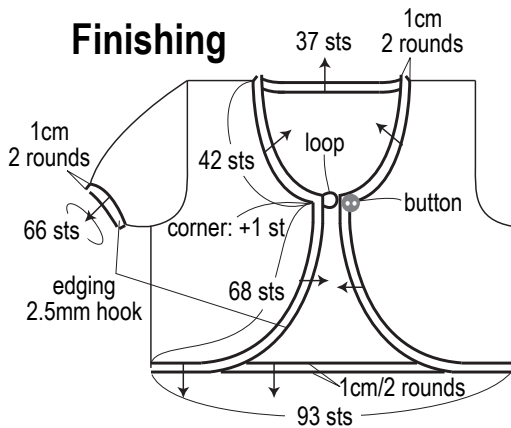
Back



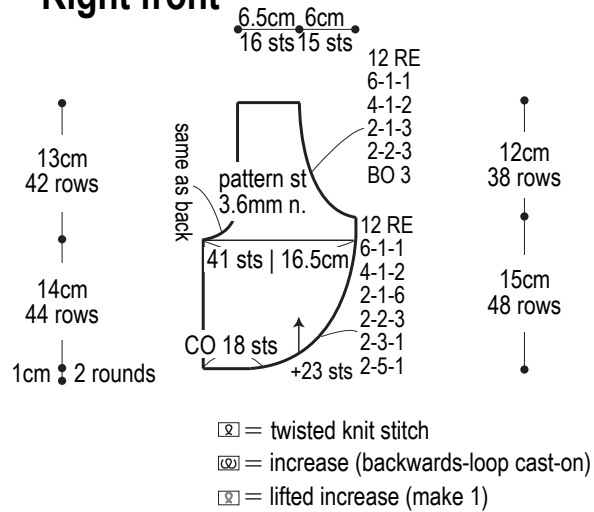
Sleeve



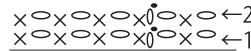
Finishing



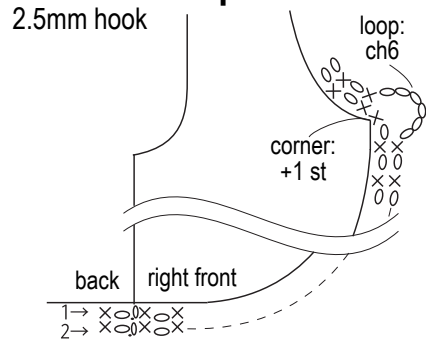
Right front



Edging (2.5mm hook)

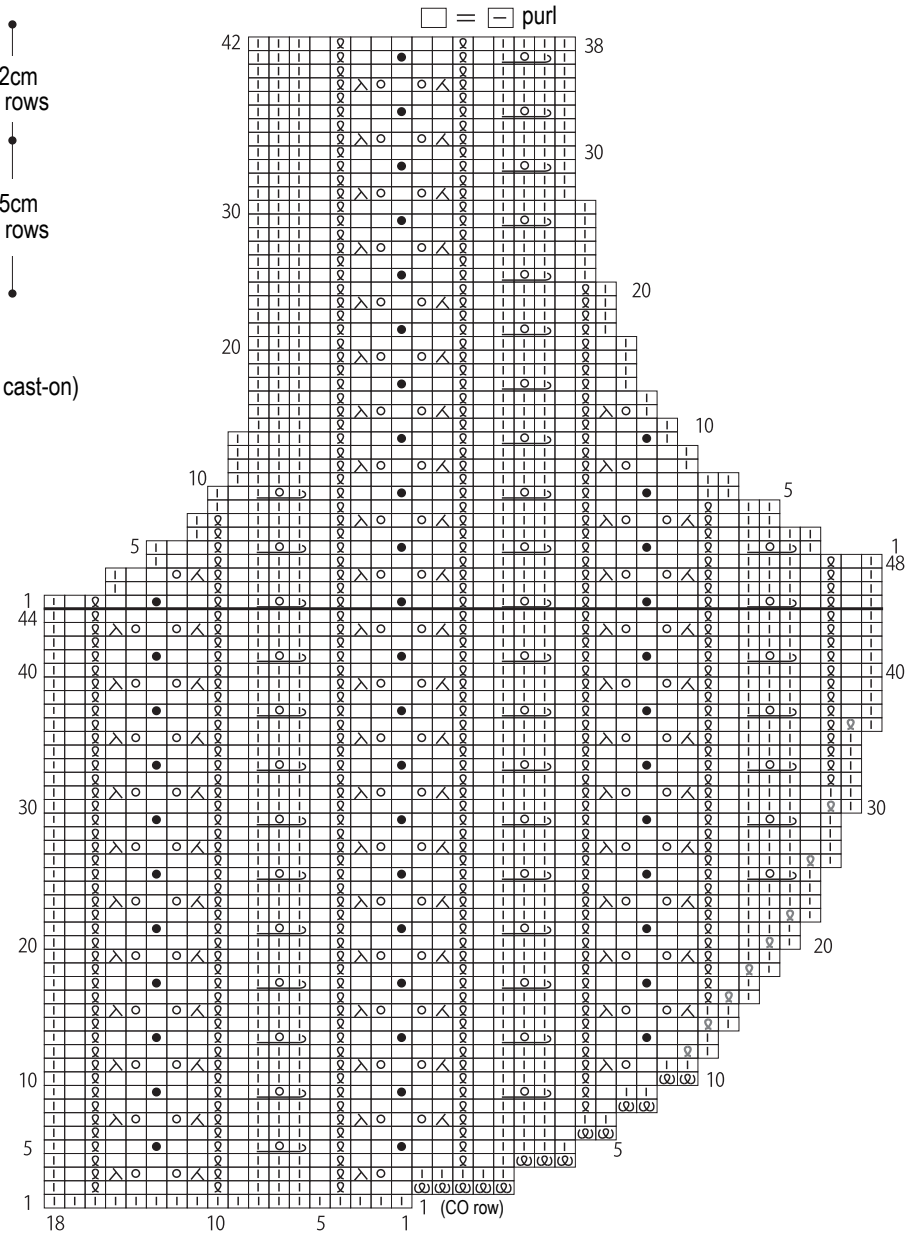


Front collar tip edging & button loop



Right front instructions

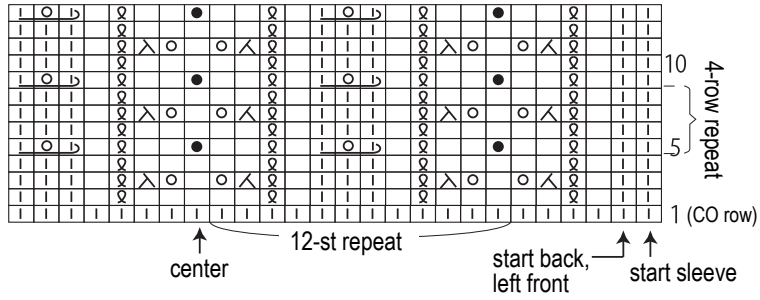
3.6mm needles



Pattern stitch

3.6mm needles

□ = ▢ purl



Left front instructions

3.6mm needles

□ = ▢ purl

