

# 213ss-33 Sailor Dress



## Suggested yarn:

- Pierrot Yarns Orgabits One [10% organic cotton from Orgabits, 90% conventional cotton; 142 yds/130m per 1.41 oz./40g skein];
  - color #04 powder blue, 1 skein [5g]
  - color #08 purple/navy, 4 skeins [135g]

## Tools/Notions:

- 4.2mm (approx. US 6) and 4.5mm (US 7) knitting needles or sizes necessary to achieve gauge
- 2.5mm (US E) crochet hook or size necessary to achieve gauge

## Finished measurements:

- chest 70cm/27.56"
- cross back width 25.5cm/10.04"
- length 46cm/18.11"

## Gauge (10cm/4" square):

- stockinette stitch: 20 sts and 28 rows
- pattern stitch: 21 sts and 28 rows

*Gauge may vary according to individual knitting style. Change needle size if necessary to achieve gauge. Alternatively, rework pattern with your own gauge measurements.*

## Knitting Tips

**Body:** Cast on with long-tail cast-on method. Work skirt section in garter stitch and stockinette stitch as indicated. Change yarn color at hem, creating a thin stripe. Continue until bodice, and work in stockinette stitch and pattern stitch, being sure to work decreases in first row of bodice. Begin working right and left sides of front body separately at neckline split.

**Sleeves & collar:** Start as for body. Change yarn color at collar edge, creating a thin stripe. At each edge, work 3rd stitch as purl stitch instead of knit stitch. Work decreases at tips of each collar 4 sts in from the edge. Using a crochet hook, crochet slip stitches up column of purl stitches to form a stripe.

**Finishing:** Seam shoulders with crochet slip stitch seam. Seam sides and sleeve undersides with mattress stitch. Pin collar to neckline of body, and seam with whipstitch. Seam sleeves to body with crochet slip stitch seam. Knit tie loop, and seam it to front body.

## Abbreviations:

BO = bind off

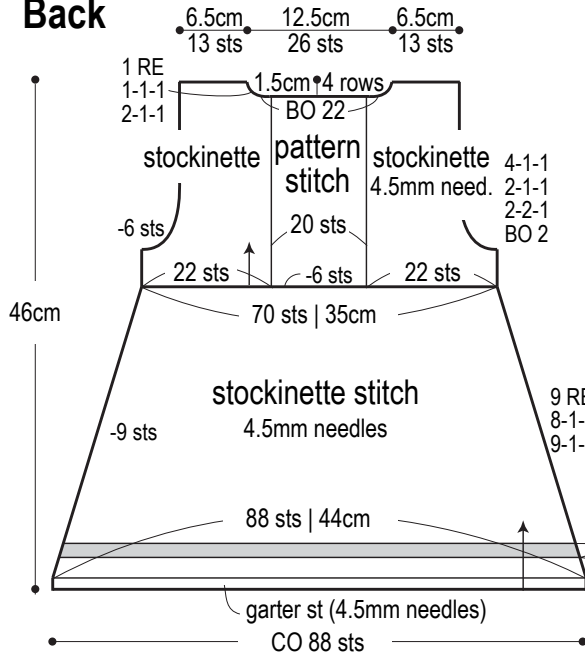
CO = cast on

RE = row(s) even

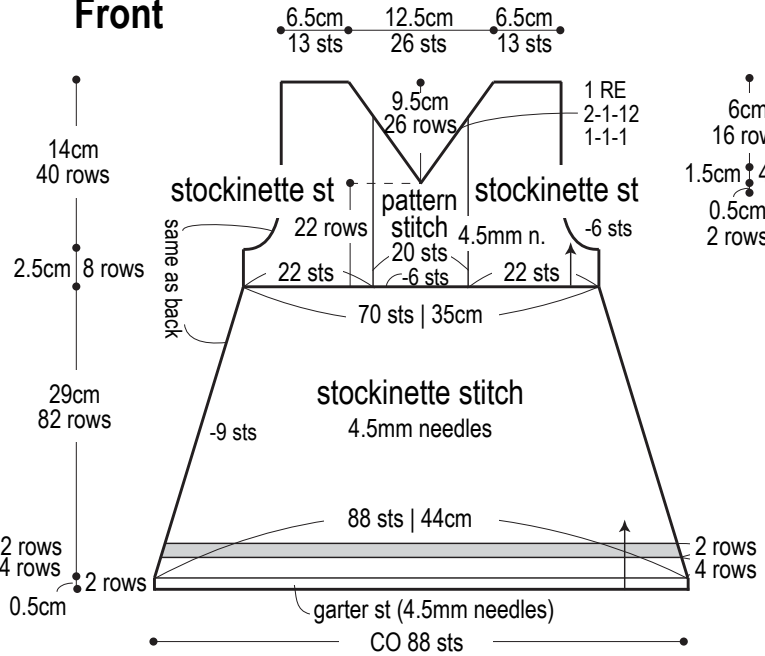
sl st = slip stitch

### = rows-stitches-times

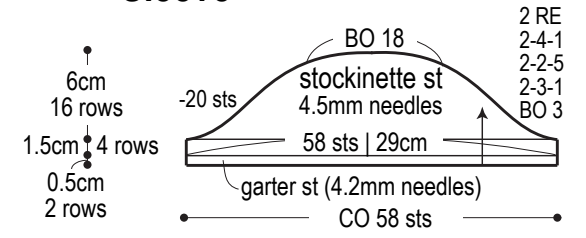
## Back



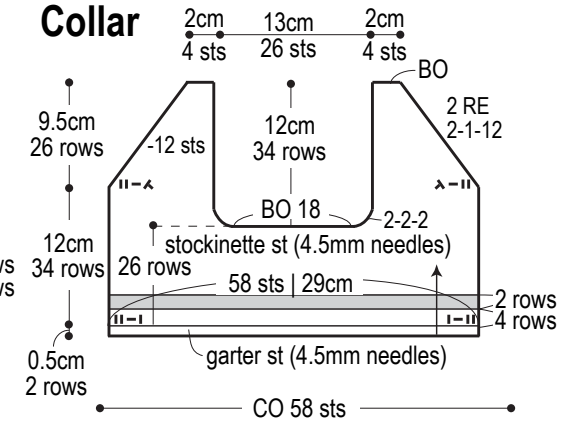
## Front



## Sleeve

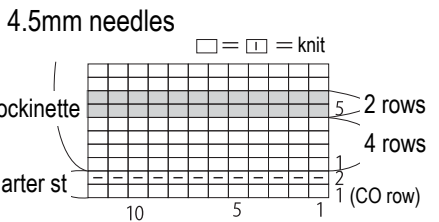


## Collar

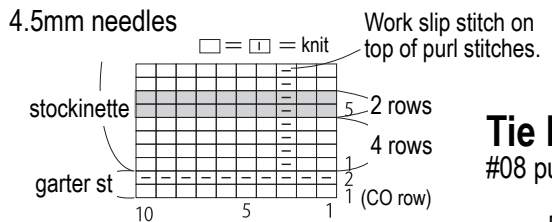


■ = #04 powder blue  
Use #08 purple/navy elsewhere.

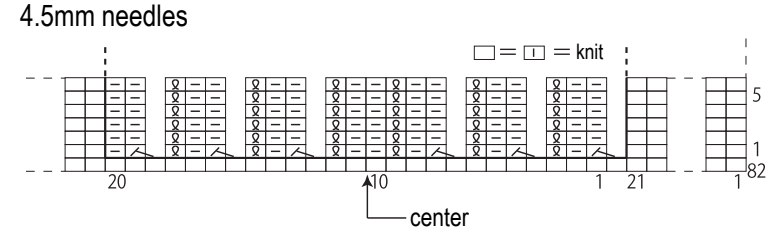
## Hem instructions



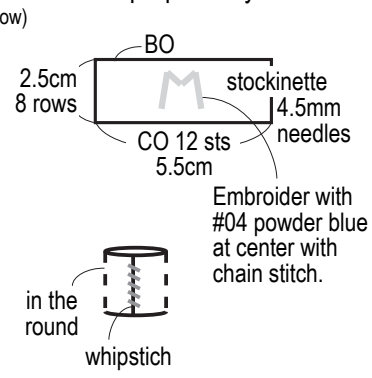
## Collar instructions



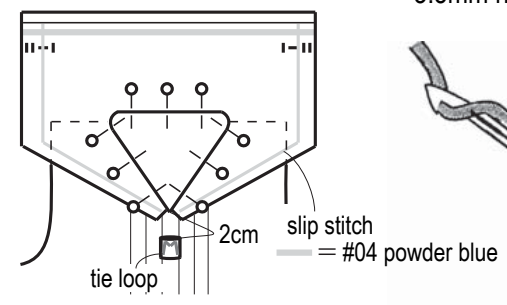
## Pattern stitch & row 1 decreases



## Tie loop



## Collar finishing



Pin collar to neckline on body, then seam in place with whipstitch. Seam tie loop to front.

## Collar slip stitch

