

# 212ss-34 Ami Cotton Bags



## Suggested yarn:

- small bag: Pierrot Yarns Ami Cotton Bulky [100% cotton; 115 yds/105m per 3.53 oz./100g hank];
  - color #02 beige, 1 hank [100g]
  - color #04 citrus yellow, 1 hank [40g]
  - color #06 spring green, 1 hank [40g]
  - color #11 orange brown, 1 hank [40g]
  - color #13 bisquit, 1 hank [30g]

## Tools/Notions:

- small bag: 4.0mm (US G) crochet hook or size necessary to achieve gauge

## Finished measurements:

- small bag:
  - mouth circumference 53cm/20.87"
  - depth 20cm/7.87"

## Gauge (10cm/4" square):

- sc and pattern stitch (with 4.0mm hook): 17 sts and 17.5 rounds

- large bag: Pierrot Yarns Ami Cotton Super Bulky [100% cotton; 55 yds/50m per 3.53 oz./100g hank];
  - color #53 vanilla, 4 hanks [310g]
  - color #61 leaf green, 2 hanks [120g]
  - color #62 carrot orange, 2 hanks [120g]
  - color #63 saffron yellow, 2 hanks [120g]
  - color #64 camel, 1 hank [100g]

- large bag: 6.0mm (US J) crochet hook or size necessary to achieve gauge

- large bag:
  - mouth circumference 82cm/32.28"
  - depth 31cm/12.20"

- sc and pattern stitch (with 6.0mm hook): 11 sts and 11.5 rounds

*Gauge may vary according to individual crochet style. Change hook size if necessary to achieve gauge. Alternatively, rework pattern with your own gauge measurements.*

## Crochet Tips

**Bottom:** Create magic ring, then work sc in the round, increasing as indicated.

**Side:** Continue from bottom; work sc in stripes in the round. Refer to chart for color sequences. On round 48, create holes for handles in 4 places as shown. Work last round in crab stitch.

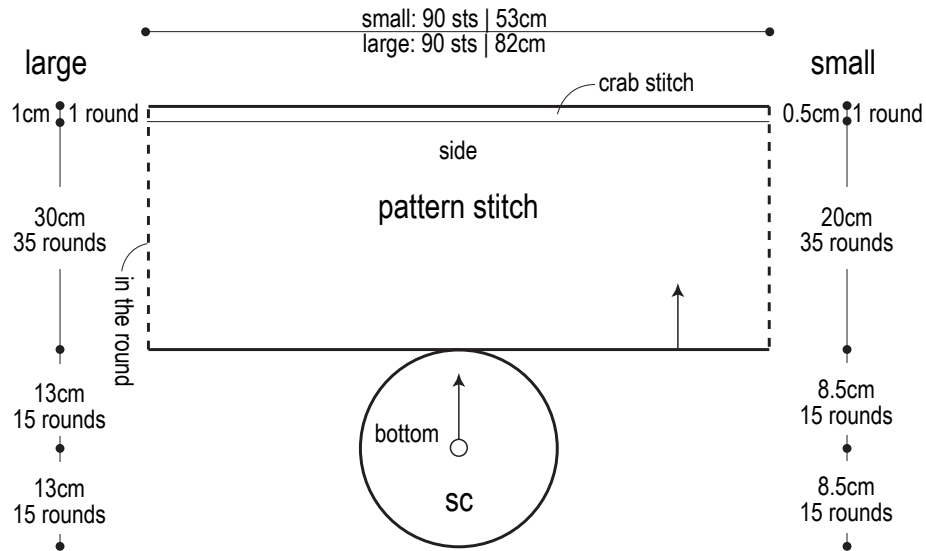
**Finishing:** Make handles as follows: with 4 strands of each color, make a 3-strand braid. Thread handle through holes in sides of bag then tie knots at each end of handle to fasten in place. Adjust length of handles to your personal preference.

## Abbreviations:

m = magic ring      sc = single crochet (US)

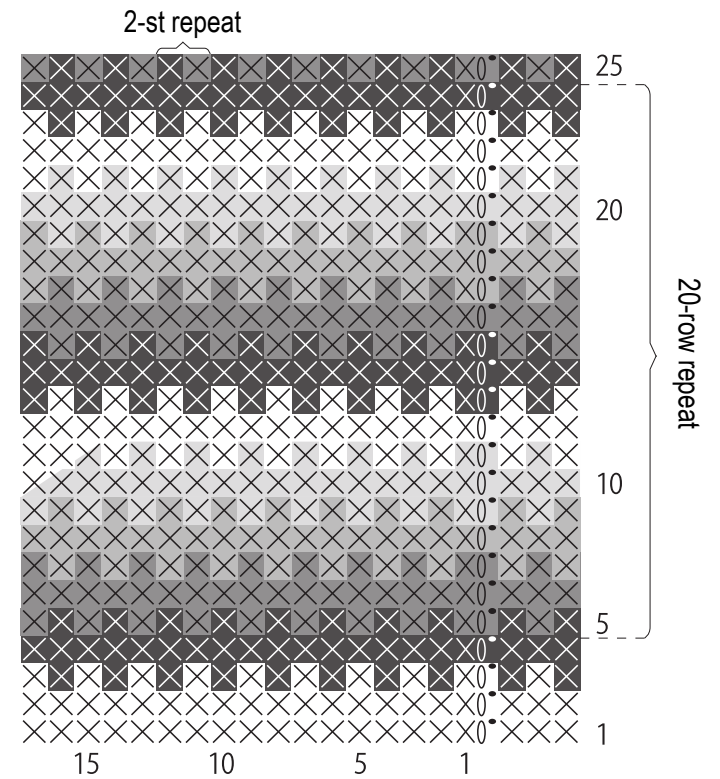
# Bag schematic

small: 4.0mm hook  
 large: 6.0mm hook

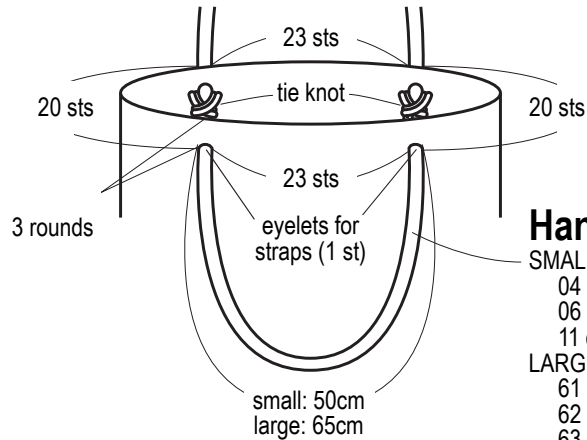


# Pattern stitch

small: 4.0mm hook  
 large: 6.0mm hook



# Finishing

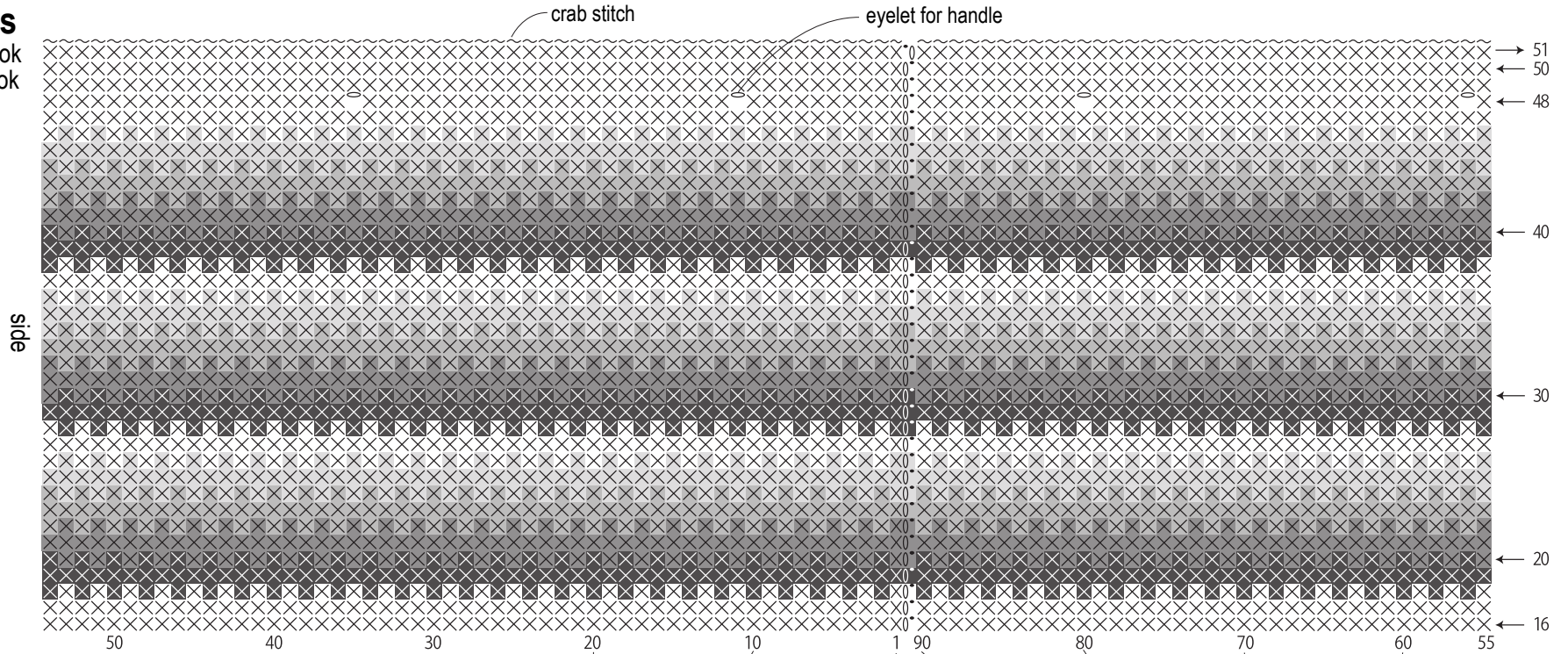


# Handles (2 per bag) - use 3-strand braid

SMALL: 110cm of each color (4 strands held together)  
 04 citrus yellow  
 06 spring green  
 11 orange brown  
 LARGE: 120cm of each color (4 strands held together)  
 61 leaf green  
 62 carrot orange  
 63 saffron yellow

# Instructions

small: 4.0mm hook  
large: 6.0mm hook



|                   | round no. | stitch count |  |
|-------------------|-----------|--------------|--|
| side              | 51        | 90           | } crab stitch<br>work even<br>eyelet round |
|                   | 50        | 90           |  |
|                   | 49        | 90           |  |
|                   | 48        | 90           |  |
|                   | 47        | 90           |  |
| pattern<br>stitch | 46        | 90           | } work even                                |
|                   | ~         | ~            |  |
| bottom            | 16        | 90           | } +6 sts<br>per round                      |
|                   | 15        | 90           |  |
|                   | 14        | 84           |  |
|                   | 13        | 78           |  |
|                   | 12        | 72           |  |
|                   | 11        | 66           |  |
|                   | 10        | 60           |  |
|                   | 9         | 54           |  |
|                   | 8         | 48           |  |
|                   | 7         | 42           |  |
|                   | 6         | 36           |  |
|                   | 5         | 30           |  |
|                   | 4         | 24           |  |
| 3                 | 18        |              |  |
| 2                 | 12        |              |  |
| 1                 | 6         |              |  |

(Work into magic ring.)

- = #53 vanilla
- = #02 beige
- = #64 camel
- = #13 bisquit
- = #61 leaf green
- = #06 spring green
- = #62 carrot orange
- = #11 orange brown
- = #63 saffron yellow
- = #04 citrus yellow

