

amicomo11-3 Cotton Neat Beret



Suggested yarn:

- Pierrot Yarns Cotton Neat S [100% cotton; 104 yds/95m per 1.41 oz./40g skein];
 - kids' size: color #10 powder blue, 2 skeins [50g]
 - ladies' size: color #29 rose pink, 2 skeins [60g]

Tools/Notions:

- 3.3mm (approx. US 3) and 3.9mm (approx. US 6) double-pointed knitting needles or sizes necessary to achieve gauge

Finished measurements:

- kids' size:
 - head circumference 49cm/19.29"
 - length 19.5cm/7.68"
- ladies' size:
 - head circumference 54.5cm/21.46"
 - length 22.5cm/8.86"

Gauge (10cm/4" square):

- stockinette stitch: 21 sts and 28 rows

Gauge may vary according to individual knitting style. Change needle size if necessary to achieve gauge. Alternatively, rework pattern with your own gauge measurements.

Knitting Tips

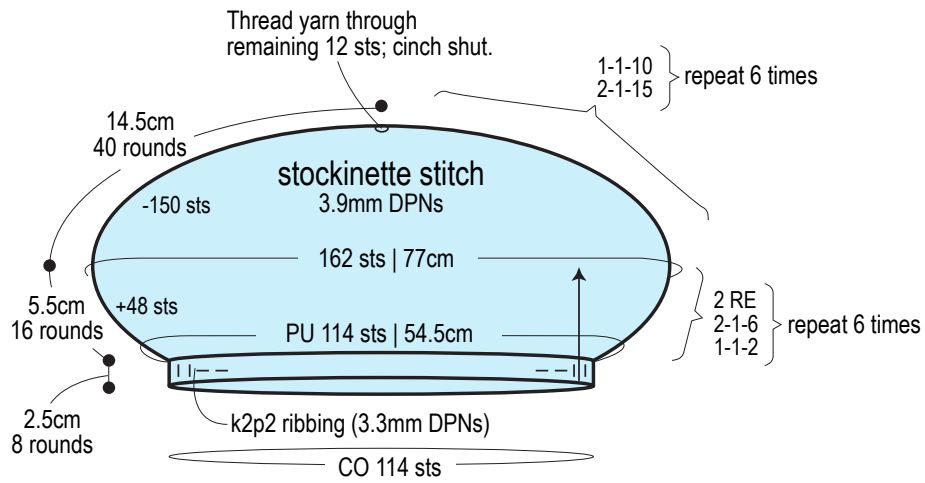
Cast on with long-tail cast-on method. Work in k2p2 ribbing in the round. Change needle size, then continue in stockinette stitch, increasing and decreasing where indicated. Thread yarn through remaining stitches and cinch top of hat shut.

Abbreviations:

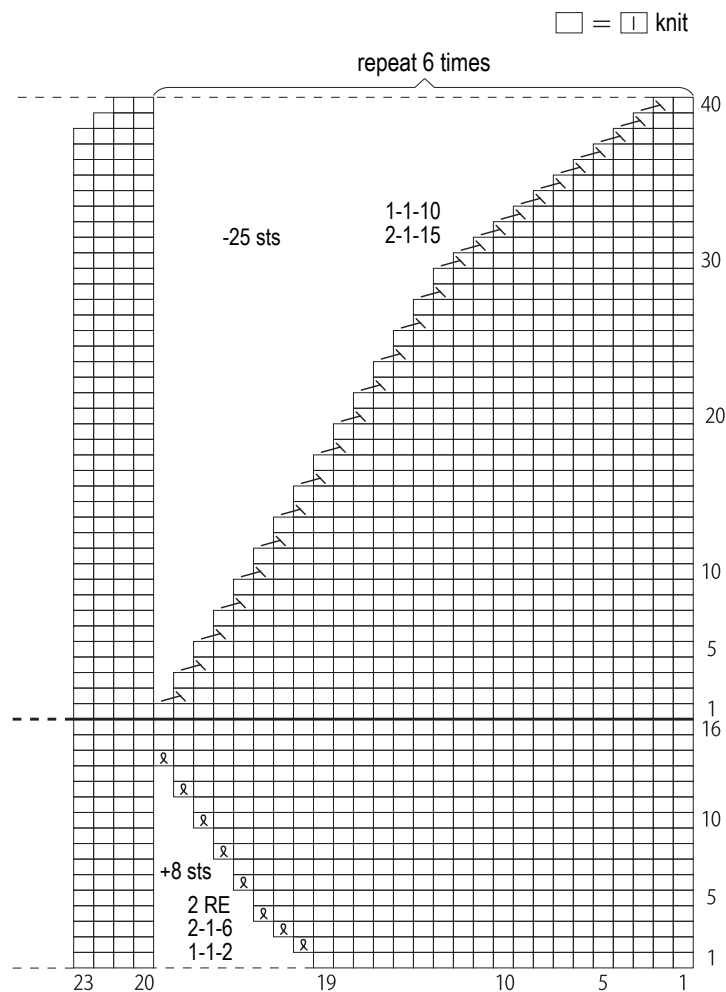
CO = cast on
DPNs = double-pointed needles
k = knit stitch
p = purl stitch
PU = pick up
RE = round(s) even
= rounds-stitches-times

Ladies' beret

#10 powder blue

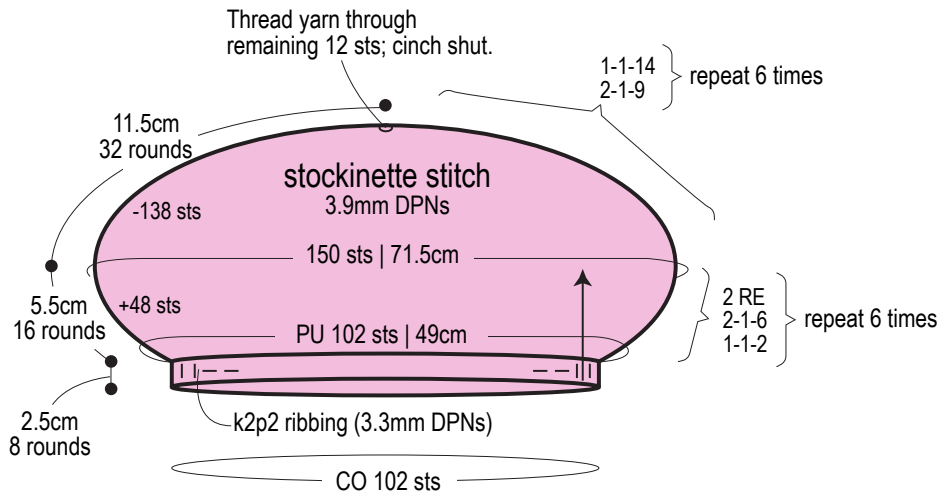


Ladies' beret pattern stitch (3.9mm DPNs)



Kids' beret

#29 rose pink



Kids' beret pattern stitch (3.9mm DPNs)

