

211w-28 Kid's Cache Coeur Cardigan



Suggested yarn:

- Grignasco Flavia Baby [100% superwash merino wool; 219 yds/200m per 1.76 oz./50g skein]; color #088 coral pink, 6 skeins [270g]

Tools/Notions:

- 3.0mm (approx. US C or D) crochet hook or size necessary to achieve gauge

Finished measurements:

- chest 74cm/29.13"
- cross back width 28cm/11.02"
- length 41.5cm/16.34"
- sleeve length 38cm/14.96"

Gauge (10cm/4" square):

- pattern stitch: 28 sts and 13 rows

Gauge may vary according to individual crochet style. Change hook size if necessary to achieve gauge. Alternatively, rework pattern with your own gauge measurements.

Crochet Tips

Front & back body: Work chain to begin (note that the number of chain stitches indicated in pattern do *not* include any needed for a turning post). Work body in pattern stitch A.

Sleeves: Begin as for body and work in pattern stitch A.

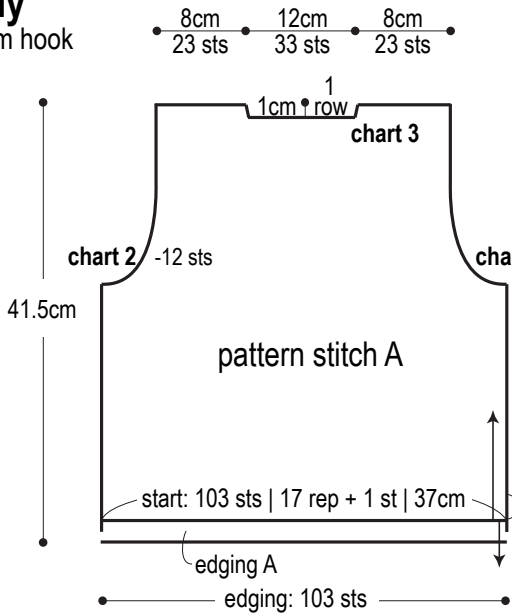
Finishing: Seam shoulders with woven seam. Seam sides and sleeve undersides with chain seam (alternating chain stitches and slip stitches as needed to maintain pattern). While seaming sides, leave eyelets for threading cord through lower body. Fasten loop to lower side of left front body. Work edging A around cuffs in the round. Seam sleeves to body with right sides facing using chain seam. Work edging A in the round along hem, front edges, and neckline in one continuous piece. Crochet 2 straps and seam to sides where indicated.

Abbreviations:

ch = chain
rep = pattern repeat(s)
sc = single crochet (US)

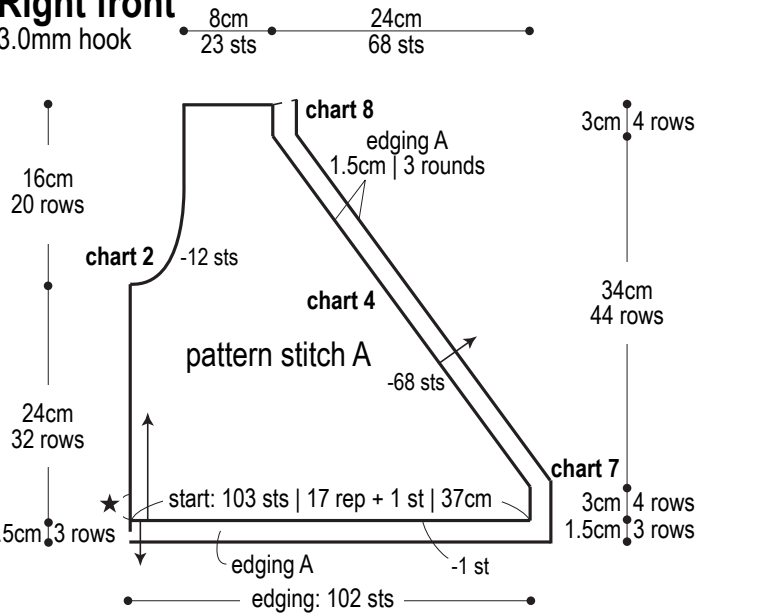
Body

3.0mm hook



Right front

3.0mm hook

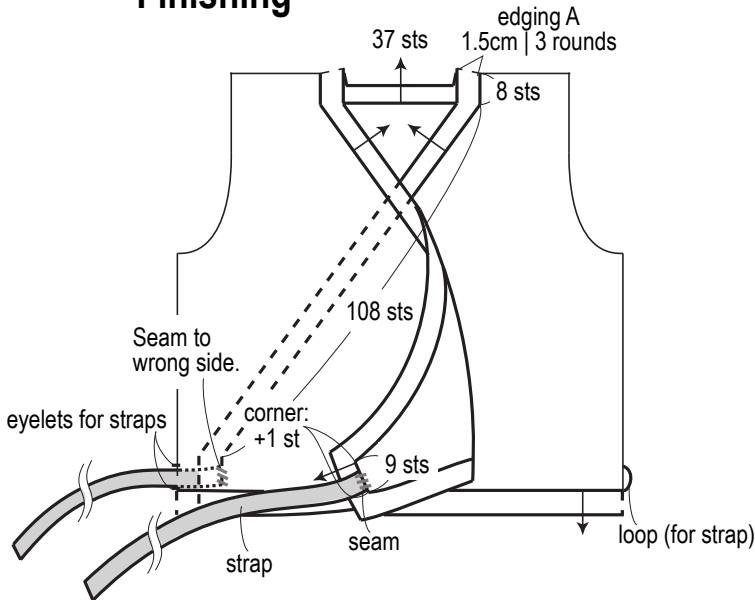


☆ = ch10; form into loop

★ = eyelet for threading strap (3 rows)

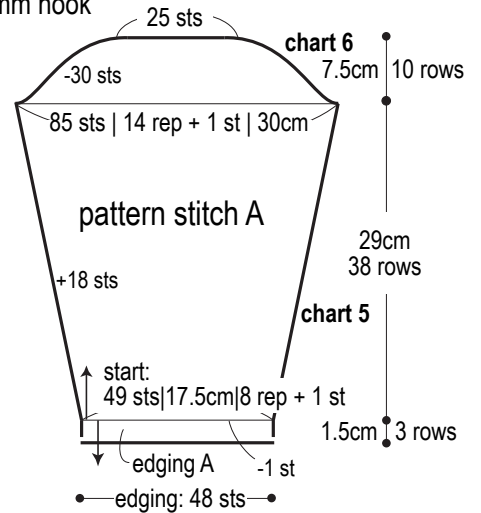
※ Reverse shaping of right front for left front.

Finishing



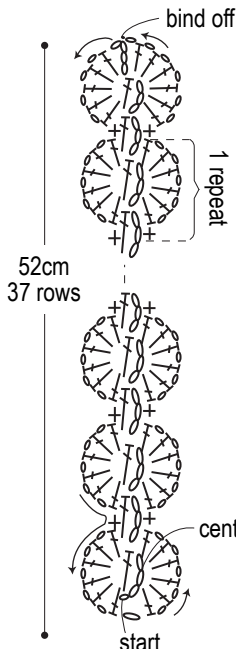
Sleeve

3.0mm hook



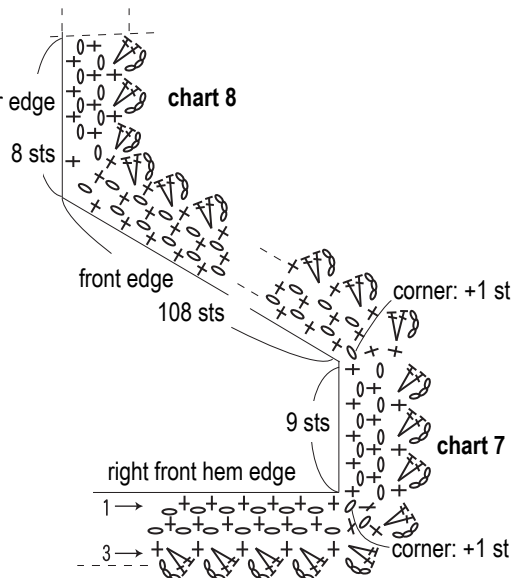
Strap (make 2)

3.0mm hook



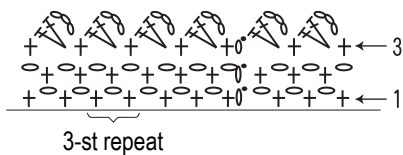
Right front: edging A

3.0mm hook

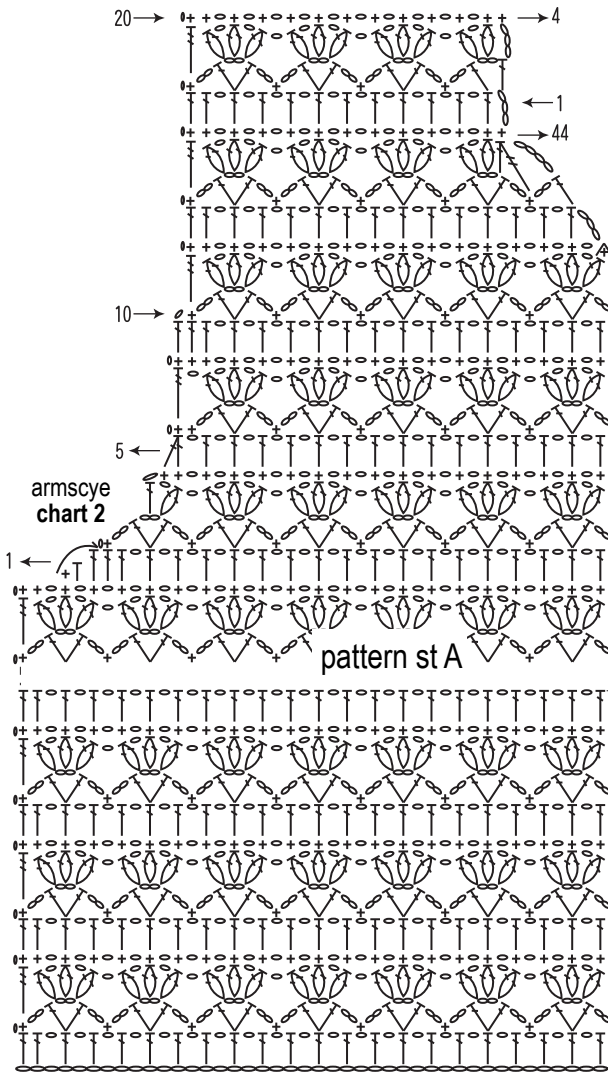


Edging A

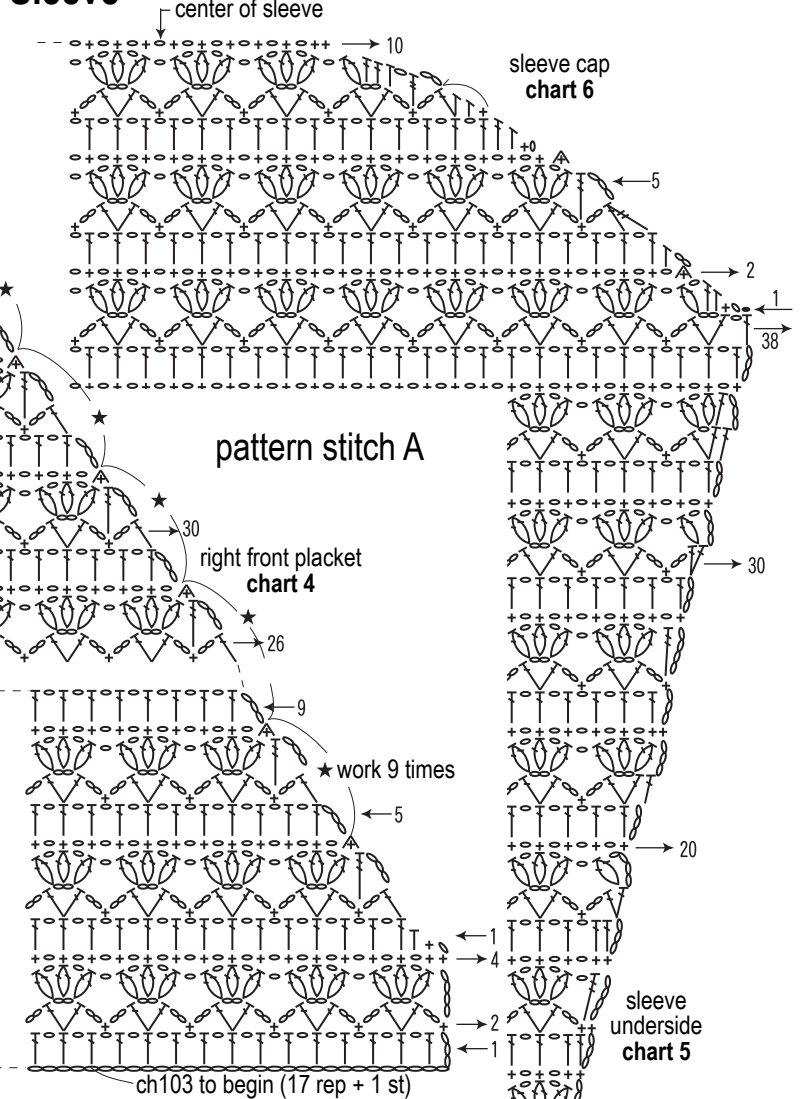
3.0mm hook



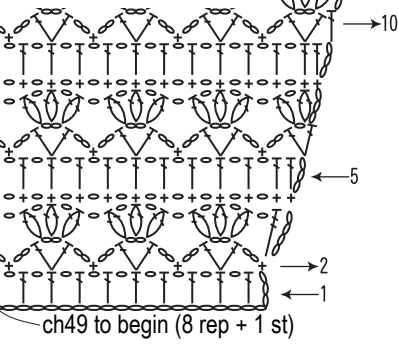
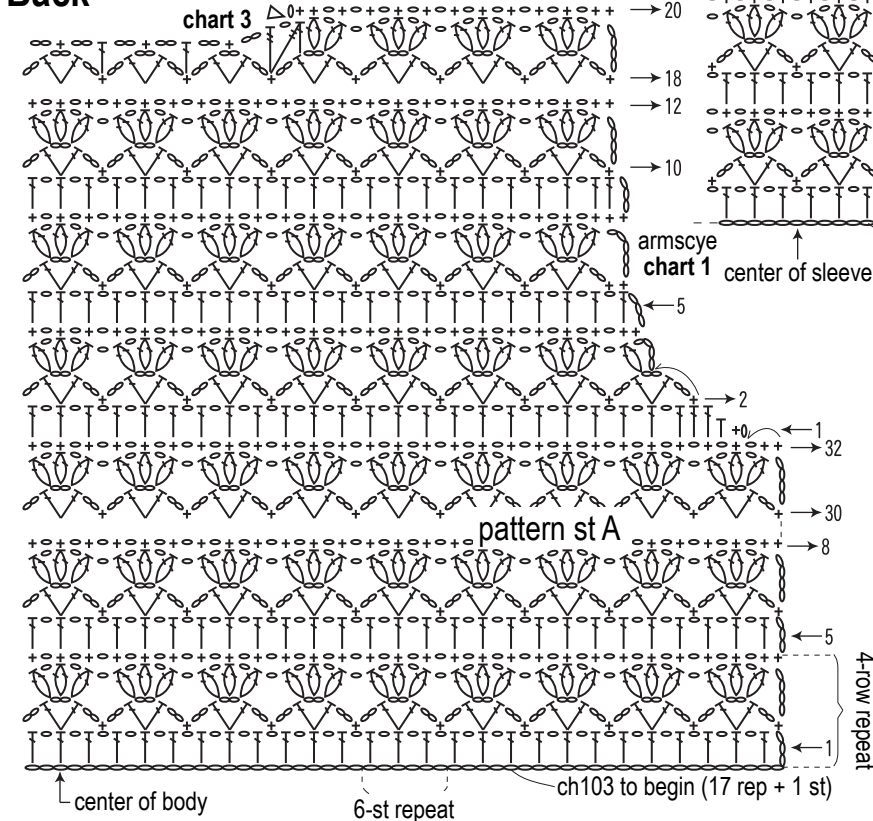
Right front



Sleeve



Back



- ◁ = join yarn
- ▶ = cut yarn
- ⤿ = carry yarn