

212w-27 Erfurt Scarf



Suggested yarn:

- Pierrot Yarns Erfurt [20% baby alpaca, 80% natural wool; 96 yds/88m per 1.41 oz./40g skein]; color #04 chocolate milk, 3 skeins [120g]

Tools/Notions:

- 5.1mm (approx. US 8) knitting needles or size necessary to achieve gauge

Finished measurements:

- width 18cm/7.09"
- length (including fringe) 180cm/70.87"

Gauge (10cm/4" square):

- k2p2 ribbing: 20 sts and 22.5 rows

Gauge may vary according to individual knitting style. Change needle size if necessary to achieve gauge. Alternatively, rework pattern with your own gauge measurements.

Knitting Tips

Scarf: Cast on with long-tail cast-on method. Work in k2p2 ribbing, starting and ending each row with k3 rather than k2 (or p3 rather than p2 if working the wrong side). Bind off in pattern. Make fringe and attach to 9 places on each end of the scarf. Trim fringe to 10cm/4" length.

Abbreviations:

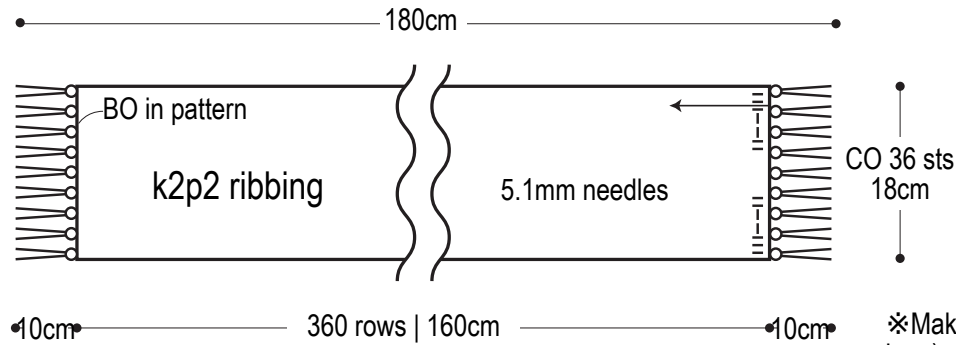
BO = bind off

CO = cast on

k = knit

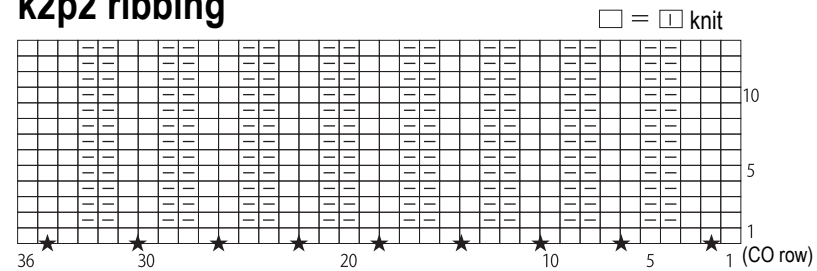
p = purl

Scarf instructions



※Make fringe as follows: take 4 strands of yarn (each 28cm long) and fold in two. Fasten with knot to scarf in 9 places at each end where shown

k2p2 ribbing



★=Fasten fringe here.