

212w-21 Fleur Poncho



Suggested yarn:

- Pierrot Yarns Fleur [67% acrylic, 24% wool, 9% nylon; 74 yds/68m per 1.76 oz./50g skein];
 - ladies' size: color #05 green/orange gradation, 3 skeins [120g]
 - kids' size: color #05 green/orange gradation, 1 skein [30g]
- Pierrot Yarns Nordic [100% wool; 131 yds/120m per 2.82 oz./80g skein];
 - ladies' size:
 - color #02 greige, 1 skein [30g]
 - color #07 navy, 7 skeins [485g]
 - kids' size:
 - color #02 greige, 1 skein [15g]
 - color #05 wine red, 2 skeins [160g]

Tools/Notions:

- 5.7mm (approx. US 9) and 6.0mm (US 10) straight knitting needles or sizes necessary to achieve gauge
- 5.7mm (approx. US 9) double-pointed knitting needles or size necessary to achieve gauge

Finished measurements:

- ladies' size: length 55.5cm/21.85"
- kids' size (roughly US 4T): length 35cm/13.78"

Gauge (10cm/4" square):

- stockinette stitch: 15 sts and 17 rows
- pattern stitch A, B: 15 sts and 16 rows
- pattern stitch C: 19 sts and 18 rows

Gauge may vary according to individual knitting style. Change needle size if necessary to achieve gauge. Alternatively, rework pattern with your own gauge measurements.

Knitting Tips

Body: Cast on with long-tail cast-on method. Work in garter stitch, then stockinette stitch, and then in pattern stitches A, B, and C, decreasing when indicated. Refer to charts for color sequences. Make 2 identical pieces.

Finishing: Seam shoulder/side seams with mattress stitch. Pick up stitches around neckline, and work collar in garter stitch in the round. Bind off purlwise.

※Work kids' size in the same manner as ladies' size.

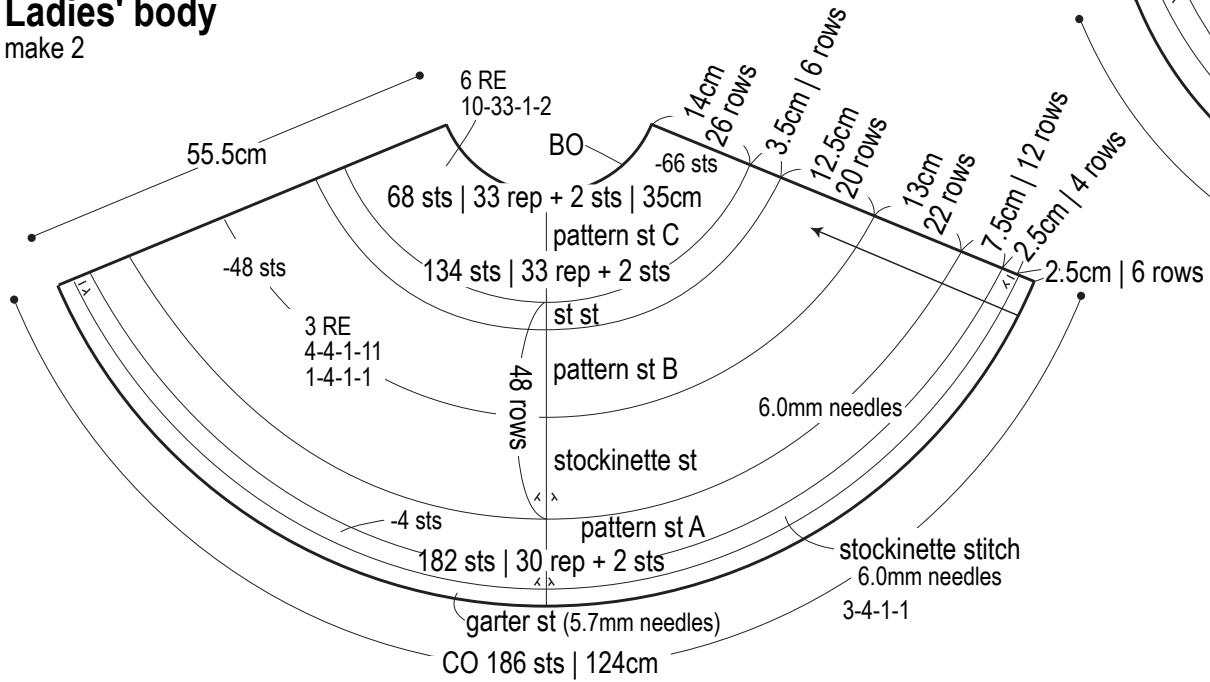
Abbreviations:

BO = bind off CO = cast on PU = pick up RE = row(s) even rep = repeat(s)

#-#-#-# = rows-places-stitches-times [for evenly spaced decreases worked across entire width of an item]. For example, 1-2-3-4 means "every 1 row, decrease 3 stitches in each of 2 places across the row; do this 4 times total."

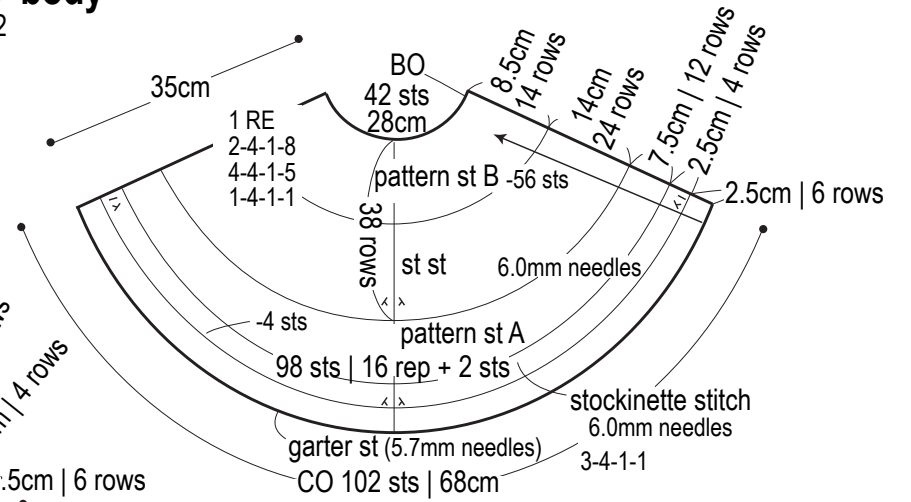
Ladies' body

make 2



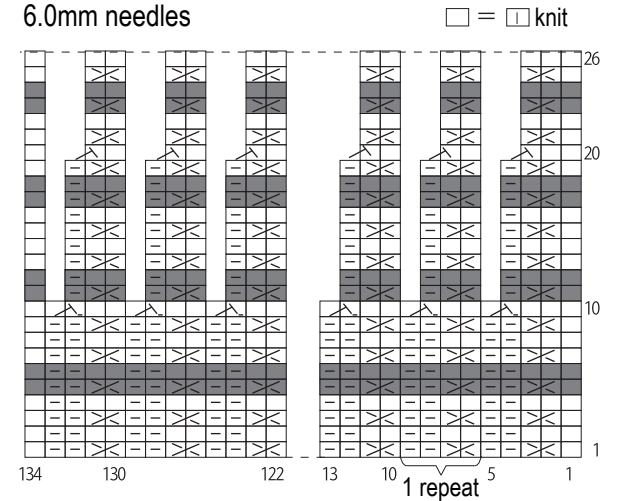
Kids' body

make 2

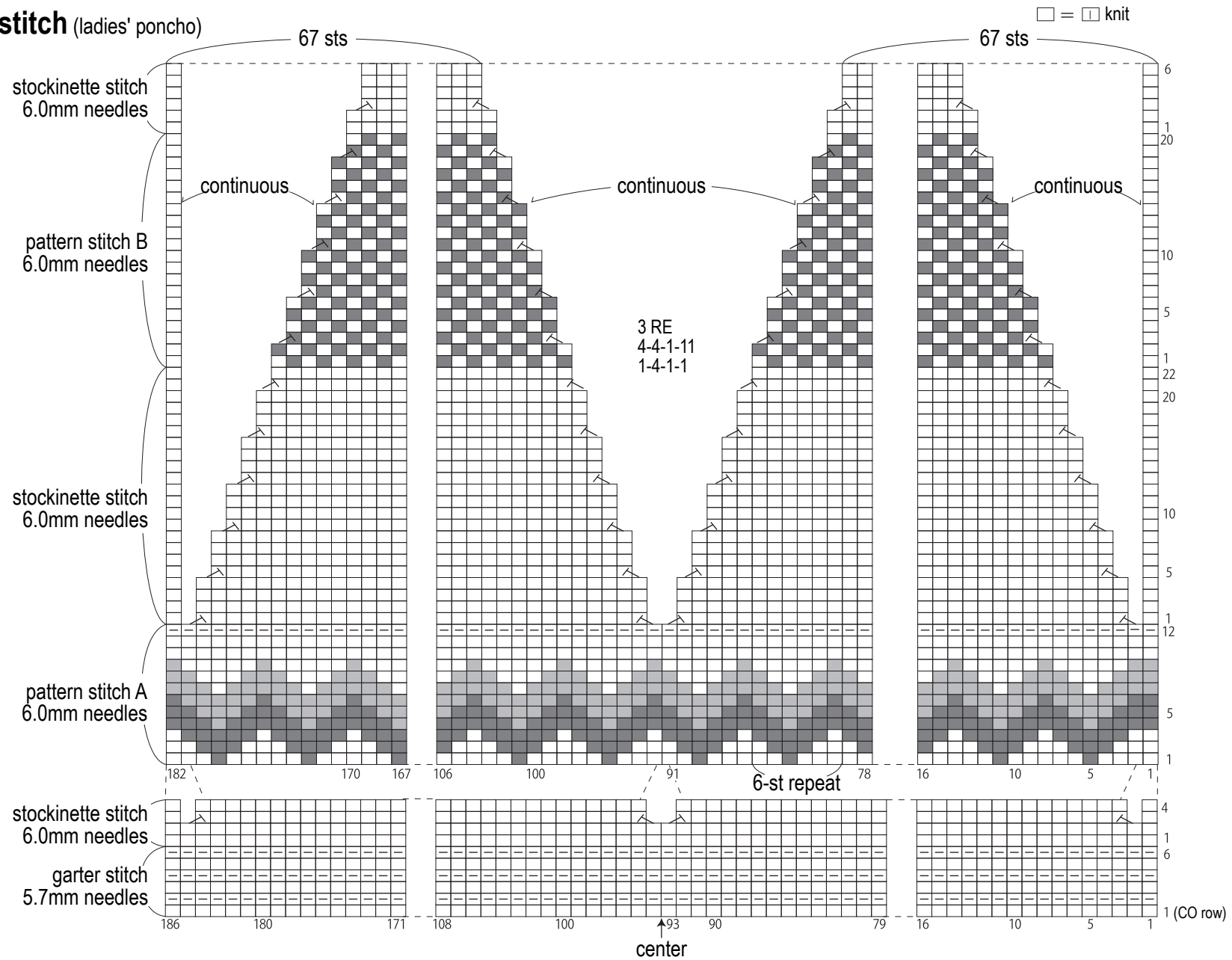


Pattern stitch C

6.0mm needles

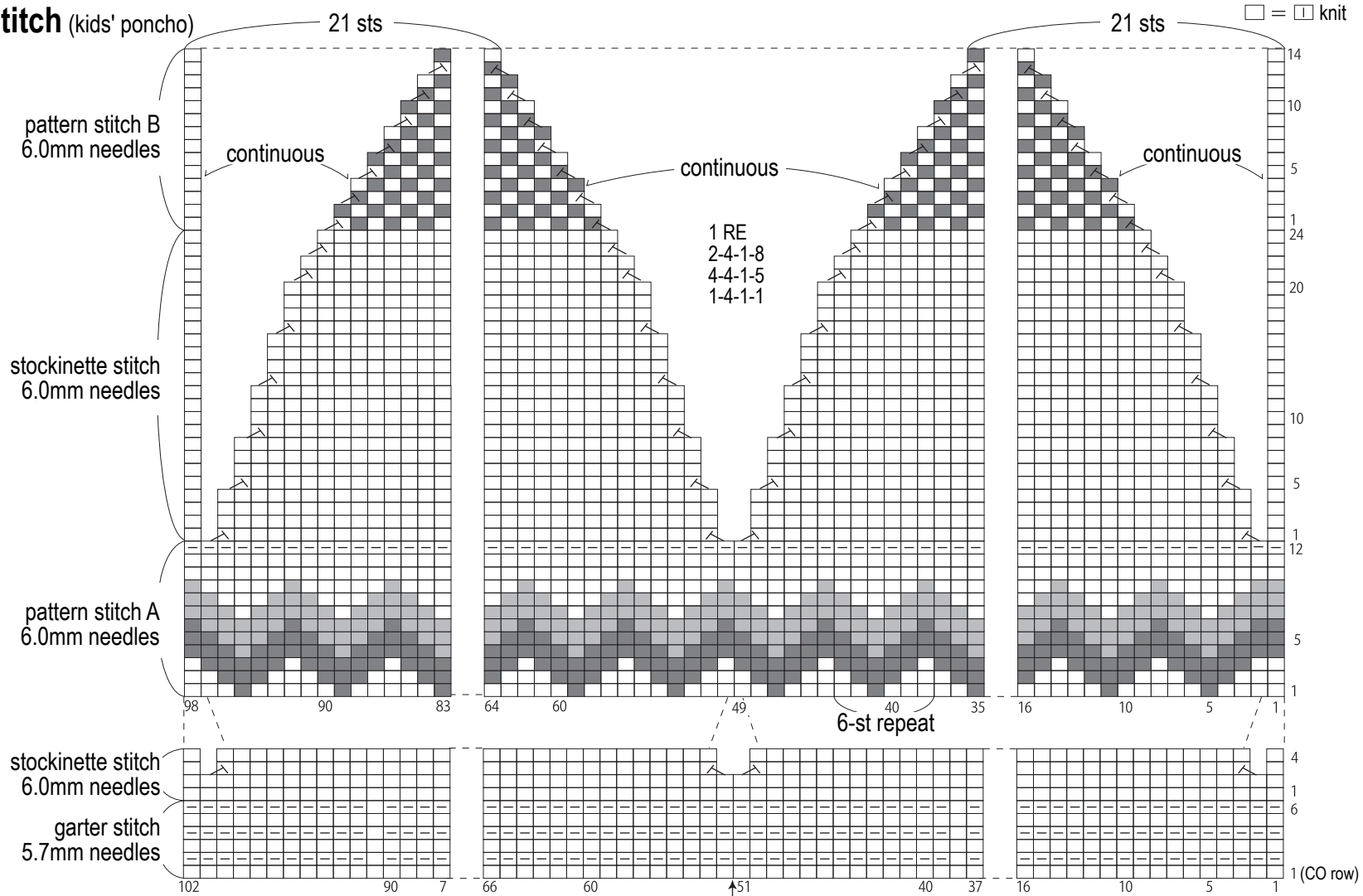


Pattern stitch (ladies' poncho)



- = Nordic, color #07 navy
- = Fleur, color #05 green/orange gradation
- = Nordic, color #02 greige

Pattern stitch (kids' poncho)

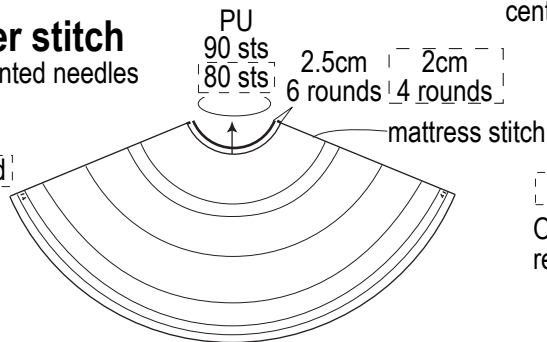


Collar: garter stitch

5.7mm double-pointed needles

Nordic, color #07 navy

Nordic, color #05 wine red



- = Nordic, color #05 wine red
- = Fleur, color #05 green/orange gradation
- = Nordic, color #02 greige

□ = kids' poncho
Otherwise, directions refer to ladies' size.