

# 212w-07 Chiffon Lace Sweater & Cowl



## Suggested yarn:

- Pierrot Yarns Chiffon [100% baby alpaca; 117 yds/107m per 1.06 oz./30g skein];
  - sweater: color #54 mauve, 10 skeins [290g]
  - cowl: color #54 mauve, 6 skeins [155g]
- Pierrot Yarns Kirara [89% acetate, 11% polyester; 1892 yds/1730m per 1.76oz./50g cone];
  - sweater: color #03 rose gold lamé, 1 cone [40g]
  - cowl: color #03 rose gold lamé, 1 cone [25g]

## Tools/Notions:

- 3.3mm (approx. US 3), 3.6mm (approx. US 4 or 5), and 3.9mm (approx. US 6) straight knitting needles or sizes necessary to achieve gauge
- 3.3mm (approx. US 3) double-pointed knitting needles or size necessary to achieve gauge

## Finished measurements:

- sweater bust 94cm/37.01"
- sweater length 56cm/22.05"
- sweater cross back width 34cm/13.39"
- sweater sleeve length 54cm/21.26"
- cowl length 138cm/54.33"
- cowl width 30cm/11.81"

## Gauge (10cm/4" square):

- pattern stitch (with largest needles): 26 sts and 35 rows

*Gauge may vary according to individual knitting style. Change needle size if necessary to achieve gauge. Alternatively, rework pattern with your own gauge measurements.*

## Knitting Tips

✳️**Note:** Entire garment and cowl worked with 2 strands of yarn held together (1 strand of Chiffon and 1 strand of Kirara).

**Back & front body:** With 3.6mm needles, cast on with long-tail cast-on method. Work 4 rows of garter stitch. Continue in pattern stitch, referring to chart and changing needle sizes to 3.9mm, 3.6mm, and 3.3mm where indicated to alter gauge. Shape armscye and neckline as follows: whenever decreasing 2 or more stitches, bind the stitches off. Otherwise, decrease 1 stitch at the edge(s) of the row.

**Sleeve:** With 3.6mm needles, cast on with long-tail cast-on method. Work 4 rows of garter stitch. Change to 3.9mm needles, then work in pattern stitch, increasing and decreasing as indicated. For decreases, use k2tog or ssk at edge of row. For increases, use lifted increase at edge.

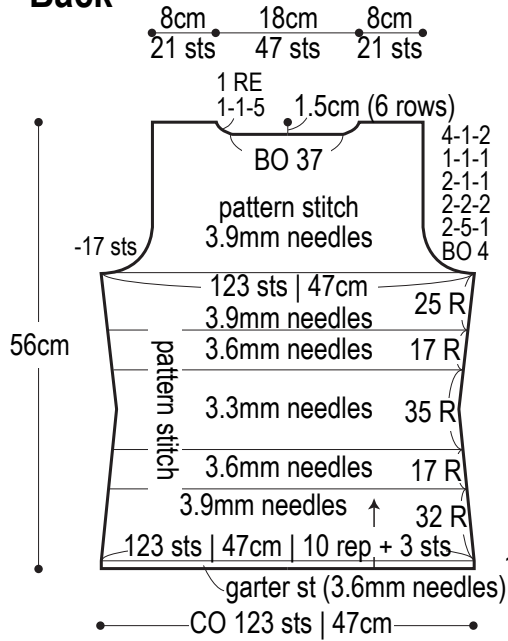
**Finishing:** Seam shoulders with crochet slip stitch. Seam sides and sleeve undersides with mattress stitch. Seam sleeves to body with crochet slip stitch. Work collar edging in the round. Bind off in pattern.

**Cowl:** With 3.9mm needles, cast on with long-tail cast-on method. Work in pattern stitch. Bind off in pattern. Seam cast-on edge to bind-off edge with woven seam.

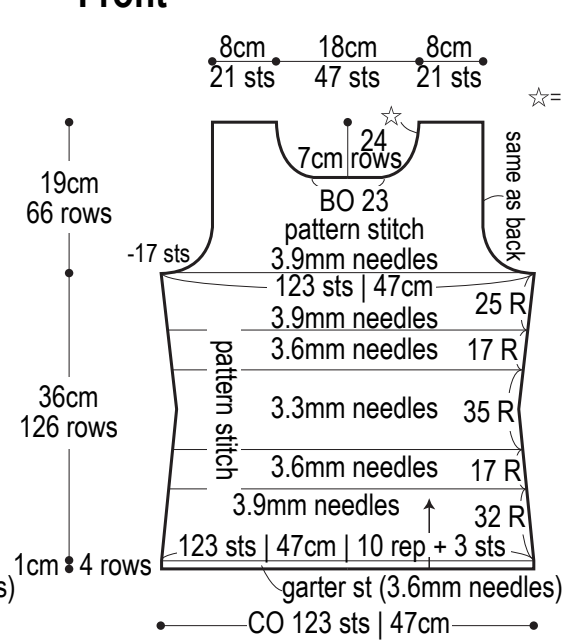
## Abbreviations:

BO = bind off    CO = cast on    PU = pick up    RE = row(s) even    rep = repeat(s)    #-#-# = rows-stitches-times

### Back

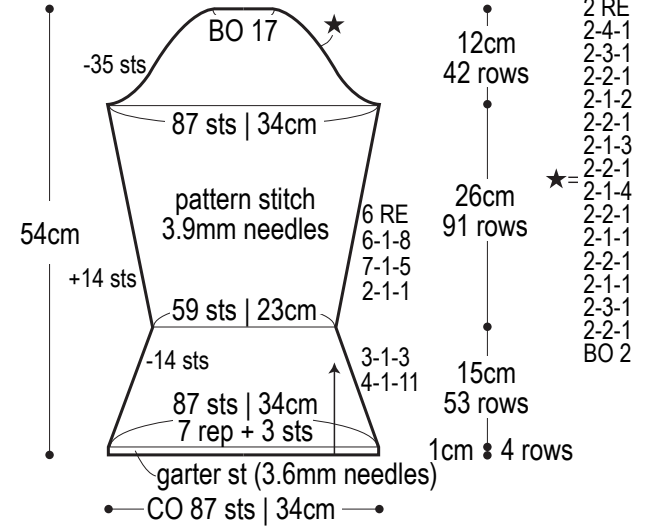


### Front



- 1 RE
- 7-1-1
- 4-1-1
- 3-1-1
- 1-1-1
- 2-1-1
- 1-1-4
- 2-3-1

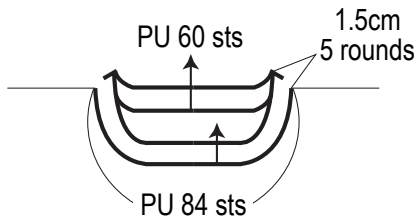
### Sleeve



R = row(s)

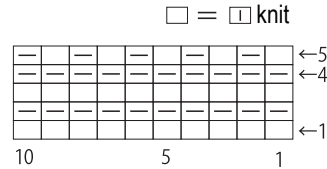
### Collar edging

3.3mm DPNs



### Edging chart

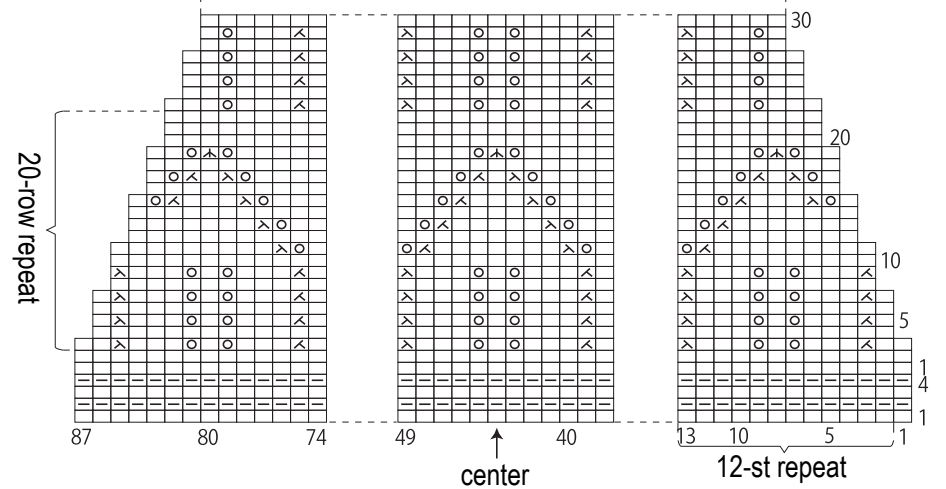
3.3mm DPNs



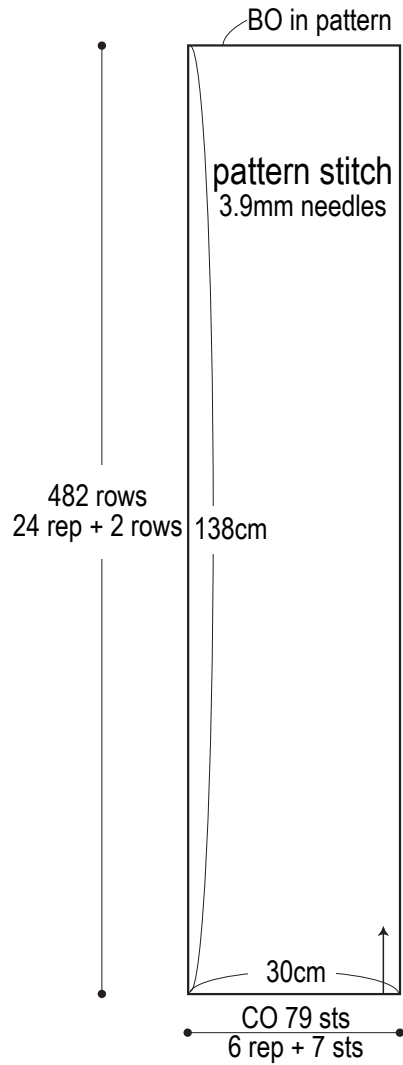
### Pattern stitch: sleeve

3.9mm needles

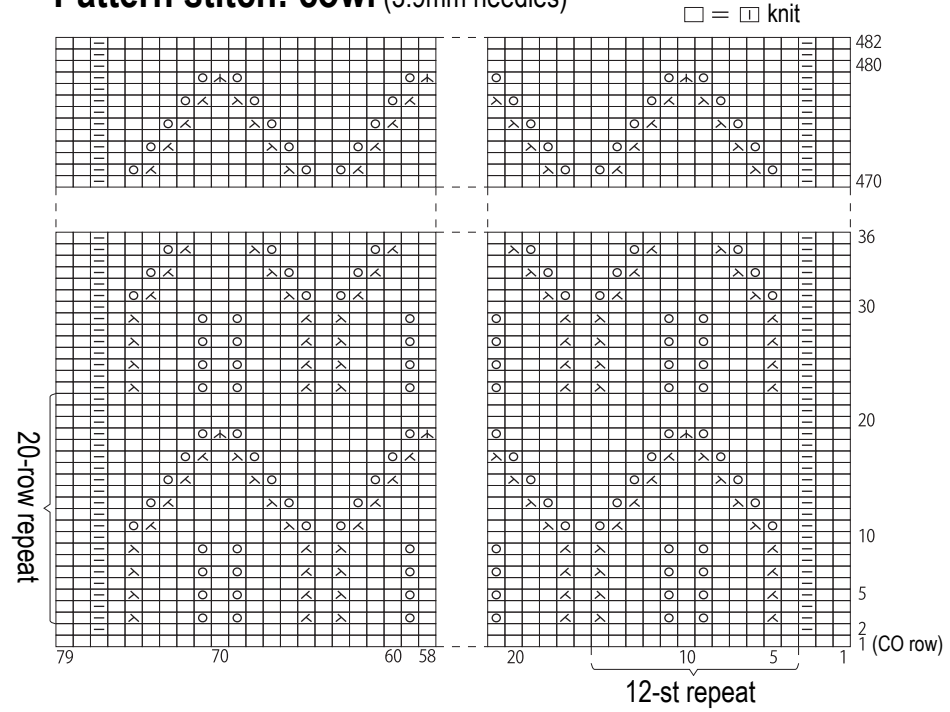
□ = □ knit



# Cowl



## Pattern stitch: cowl (3.9mm needles)



## Pattern stitch: body (3.3mm, 3.6mm, & 3.9mm needles)

