

211F-30 Baby's First Outfit



Suggested yarn:

- Pierrot Yarns Angel [100% superwash merino wool; 107 yds/98m per 1.41 oz./40g skein]; color 1 white, 6 skeins [220g]

Tools/Notions:

- 3.6mm (approx. US 4 or 5) straight knitting needles or size necessary to achieve gauge
- 3.6mm (approx. US 4 or 5) double-pointed knitting needles or size necessary to achieve gauge
- 2.5mm (approx. US B or C) crochet hook or size necessary to achieve gauge
- 12 buttons (13mm/0.51")

Finished measurements:

- romper:
 - chest 60cm/23.62"
 - cross back width 22.5cm/8.86"
 - length 49cm/19.29"
- hat:
 - head circumference 44cm/17.32"
 - length 12cm/4.72"

Gauge (10cm/4" square):

- pattern stitch A: 28 sts and 38 rows
- pattern stitch B and stockinette stitch: 25 sts and 33 rows

Gauge may vary according to individual knitting style. Change needle size if necessary to achieve gauge. Alternatively, rework pattern with your own gauge measurements.

Knitting Tips

Back body: Cast on with long-tail cast-on method. Work 14 rows in pattern stitch A and stockinette stitch, working right and left crotch rises separately. On the next row, pick up stitches at the center from a crochet chain (worked in advance for this purpose), joining right and left sides together. At buttocks area, work decreases in the 2 places shown so that it puffs out in the back.

Front body: Work as for back body, picking up stitches for crotch area from crochet chain (worked in advanced for this purpose). Work decreases at chest where you change from stockinette stitch to pattern stitch B.

Sleeve: Cast on with long-tail cast-on method. Work in pattern stitch B. Seam sleeves with mattress stitch. Work edging A around cuffs in the round.

Finishing: Seam sides with mattress stitch. Seam shoulders with crochet slip stitch seam. Work edging C along front edges and crotch. Work buttonholes in right front body and left front of crotch. Seam sleeves to body with crochet slip stitch seam. Attach trim to chest where the stitch pattern changes from stockinette stitch to pattern stitch B. Work edging B along neckline. Sew buttons to body.

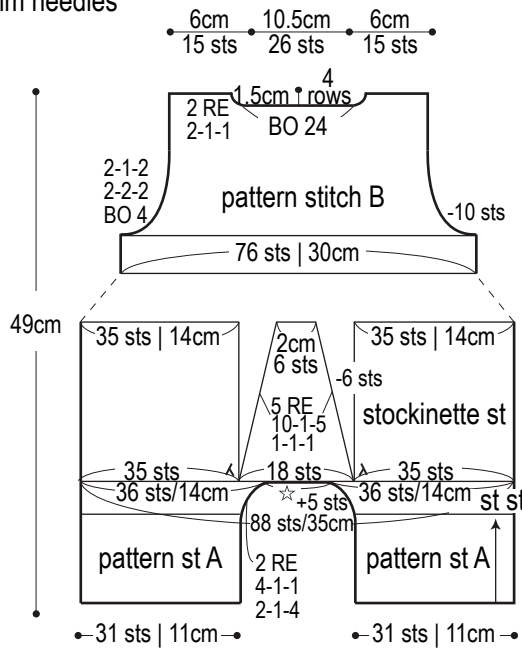
Hat: Cast on with long-tail cast-on method. Work in pattern stitch B in the round according to chart. Crochet the bill, then seam to body of hat with right sides facing each other using crochet slip stitch. Sew decoration to center top of hat.

Abbreviations:

BO = bind off
CO = cast on
RE = row(s) even
sc = single crochet (US)
st st = stockinette stitch
= rows-stitches-times

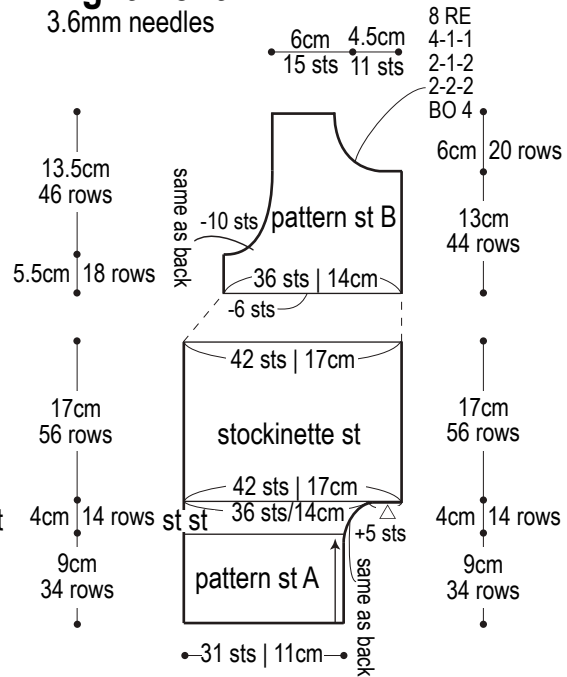
Back

3.6mm needles



Right front

3.6mm needles



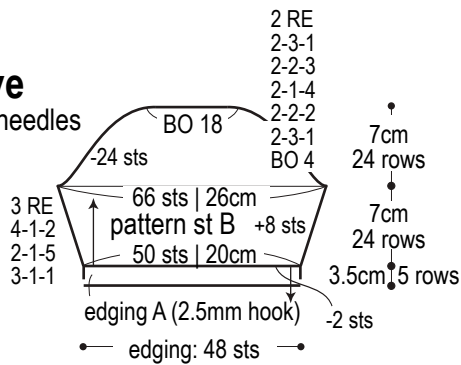
*Reverse shaping of right front for left front.

☆ = CO 16 sts from crochet chain

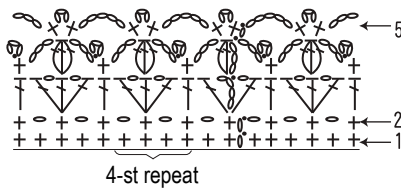
△ = CO 6 sts from crochet chain

Sleeve

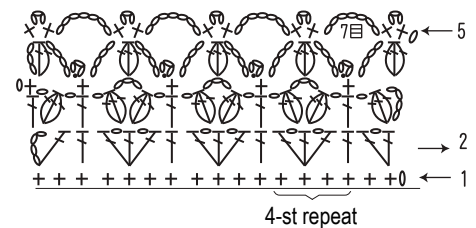
3.6mm needles



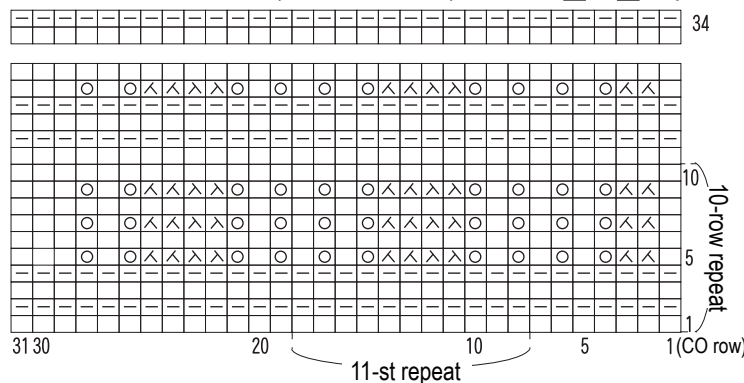
Edging A (2.5mm hook)



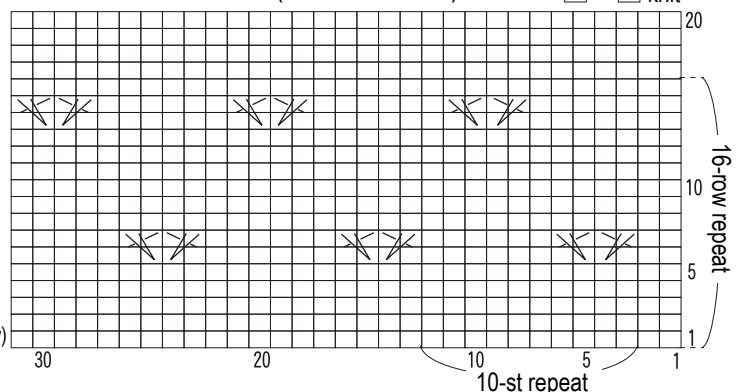
Edging B (2.5mm hook)



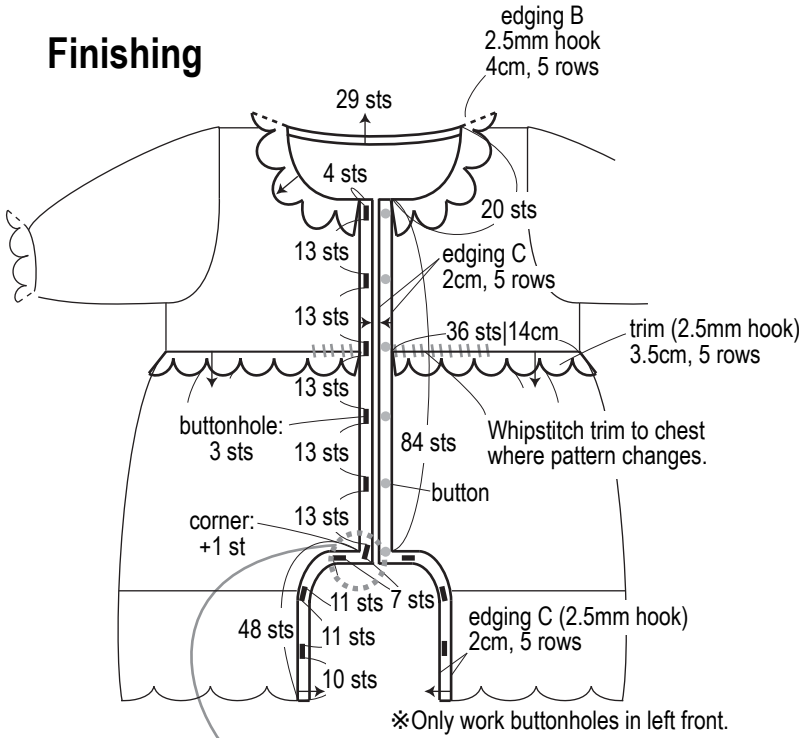
Pattern stitch A (3.6mm needles)



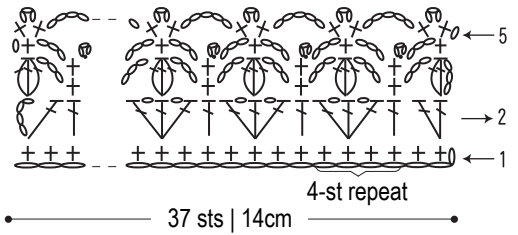
Pattern stitch B (3.6mm needles)



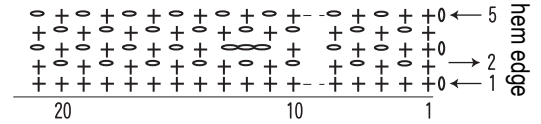
Finishing



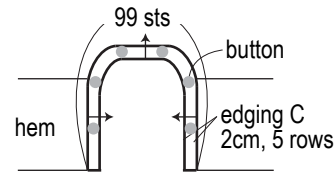
Trim (2.5mm hook)



Edging C & buttonholes (2.5mm hook)

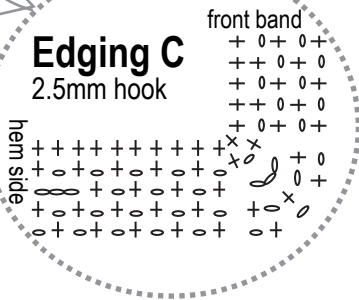


Back crotch (2.5mm hook)

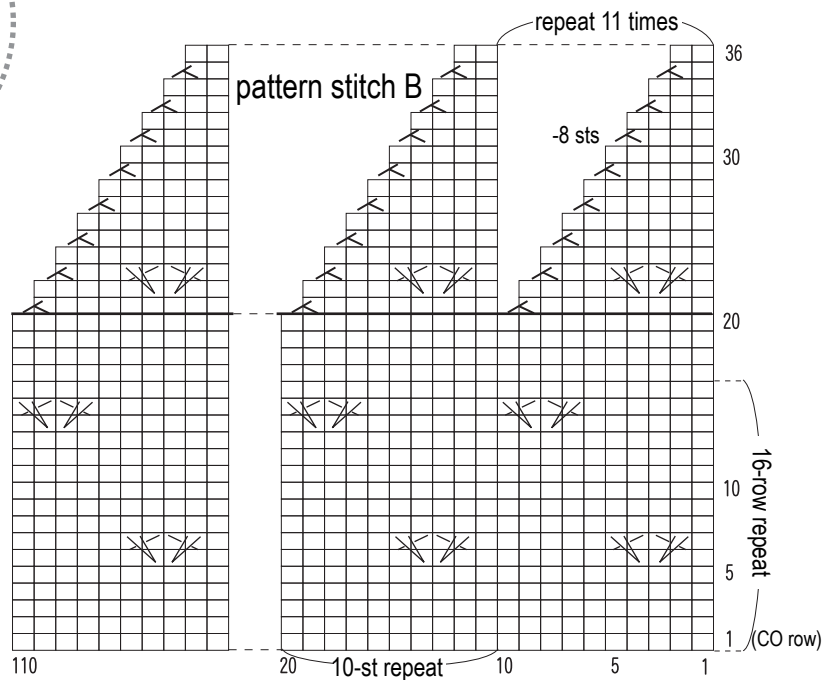


Edging C

2.5mm hook



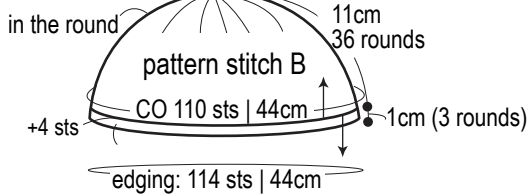
Hat instructions (3.6mm needles)



Hat

3.6mm DPNs

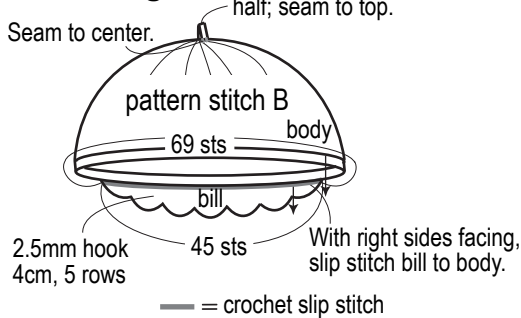
Thread yarn through remaining 22 sts; cinch shut.



Finishing

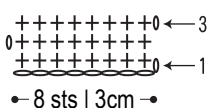
Seam to center.

Fold decoration in half; seam to top.



Top decoration

2.5mm hook



Bill (2.5mm hook)

