

211F-17 Sunset Sky Pullover



Suggested yarn:

- Pierrot Yarns Yuyake no Sora [100% superwash wool; 427 yds/390m per 3.17-3.53 oz./90-100g hank]; color #104 magenta gradation, 3 hanks [230g]
- Pierrot Yarns Cutie Mohair [30% nylon, 28% mohair, 28% acrylic, 14% wool; 339 yds/310m per 0.88 oz./25g skein]; color #36 cherry pink, 3 skeins [75g]

Tools/Notions:

- 3.6mm (approx. US 5) and 4.2mm (approx. US 6) knitting needles or sizes necessary to achieve gauge
- 3.6mm (approx. US 5) double-pointed knitting needles or size necessary to achieve gauge
- cable needle

Finished measurements:

- bust 91cm/35.82"
- cross back width 36cm/14.17"
- length 57cm/22.44"
- sleeve length 53.5cm/21.06"

Gauge (10cm/4" square):

- stockinette stitch (with 4.2mm needles): 22 sts and 30 rows
- pattern stitch (with 4.2mm needles): 23 sts and 33 rows

Gauge may vary according to individual knitting style. Change needle size if necessary to achieve gauge. Alternatively, rework pattern with your own gauge measurements.

Knitting Tips

✳️**Note:** Entire garment is worked with 2 strands of yarn held together (1 strand of Yuyake no Sora and 1 strand of Cutie Mohair).

Front & back body: Cast on with long-tail cast-on method. Work in garter stitch. Changing needle size as indicated on chart, work in pattern stitch and stockinette stitch.

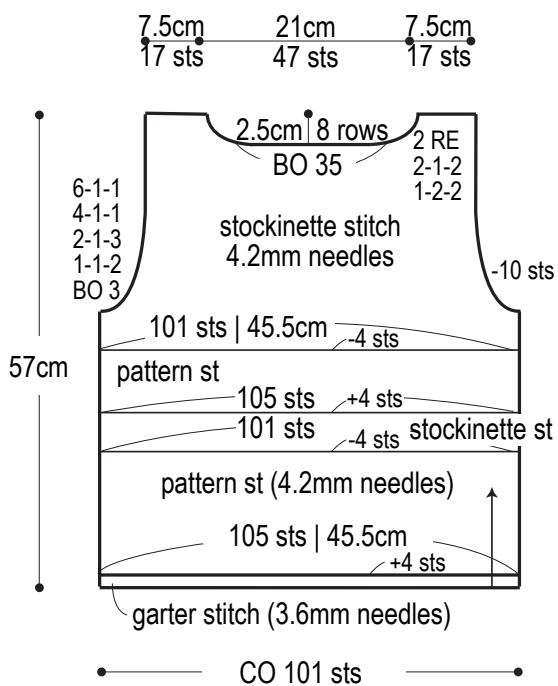
Sleeve: Cast on with long-tail cast-on method. Work in garter stitch and stockinette stitch.

Finishing: Join shoulders with crochet slip stitch seam. Seam sides and sleeve undersides with mattress stitch. Pick up stitches around neckline; work collar in garter stitch in the round. Seam sleeves to body with crochet slip stitch seam.

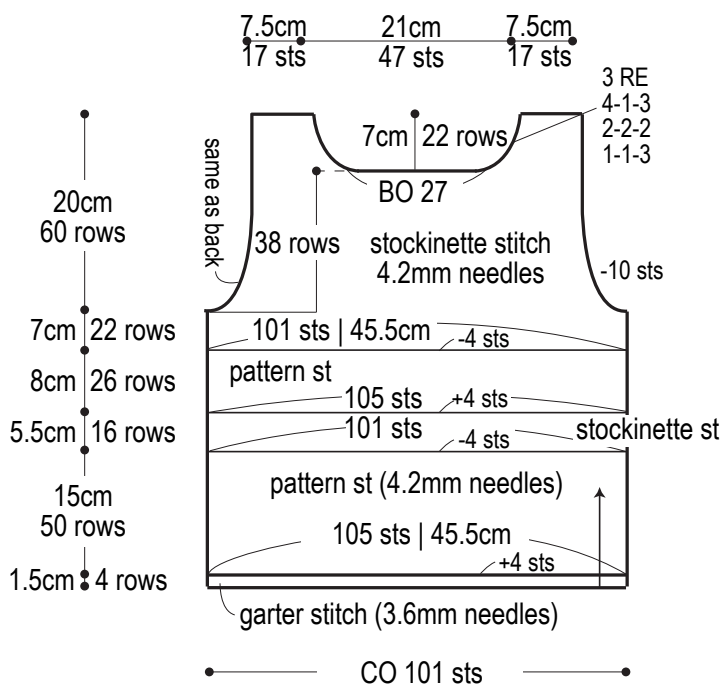
Abbreviations:

BO = bind off
CO = cast on
PU = pick up
RE = row(s) even
#-#-# = rows-stitches-times

Back

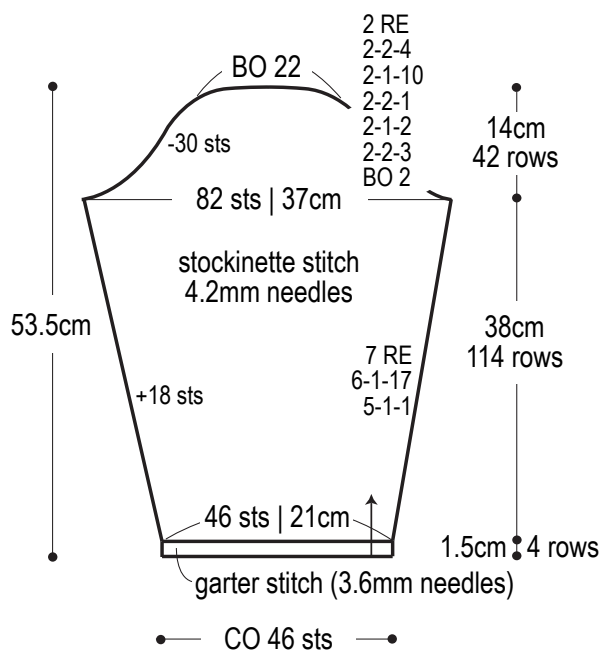


Front



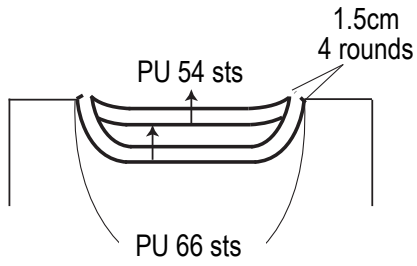
※For back and front body pieces, use 4.2mm needles for everything except for garter stitch edging (3.6mm needles).

Sleeve

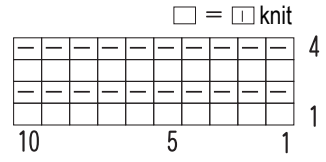


Collar: garter stitch

3.6mm DPNs



Garter stitch



Pattern stitch (4.2mm needles)

□ = □ knit

