

212w-17 Kids' Carino Sweater



Suggested yarn:

- Pierrot Yarns Carino [80% merino wool, 20% nylon; 120 yds/110m per 1.76 oz./50g skein];
 - color #47 turquoise, 1 skein [15g]
 - color #56 green apple, 4 skeins [200g]

Tools/Notions:

- 5.1mm (approx. US 8) and 5.7mm (approx. US 10) straight knitting needles or sizes necessary to achieve gauge
- 5.1mm (approx. US 8) and 5.7mm (approx. US 10) double-pointed knitting needles or sizes necessary to achieve gauge

Finished measurements:

- chest 76cm/29.92"
- cross back width 31cm/12.20"
- length 40cm/15.75"
- sleeve length 37cm/14.57"

Gauge (10cm/4" square):

- stockinette stitch (with largest needles): 17 sts and 22 rows

Gauge may vary according to individual knitting style. Change needle size if necessary to achieve gauge. Alternatively, rework pattern with your own gauge measurements.

Knitting Tips

Back & front body; sleeves: Cast on with long-tail cast-on method. Work in k1p1 ribbing, then continue in stockinette stitch. Shape neckline and sleeves with decreases worked at the ends of rows.

Finishing: Seam shoulders with crochet slip stitch. Seam sleeve ends and underarm gusset (where marked with ★ and ☆) with stitches-to-rows mattress stitch. Seam side of garment and sleeve undersides in mattress stitch in one continuous seam. Work outer collar in stockinette stitch in the round. Then change color and, using smaller needles, knit inner collar in stockinette stitch in the round. Bind off in pattern.

Abbreviations:

BO = bind off

CO = cast on

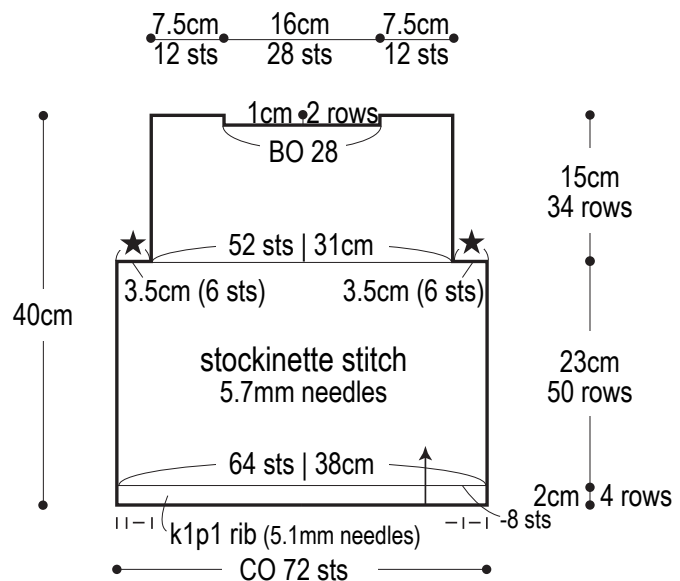
PU = pick up

RE = row(s) even

#-#-# = rows-stitches-times

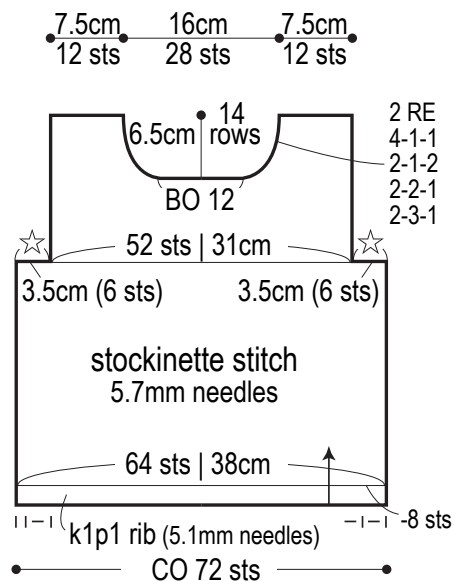
Back

#56 green apple



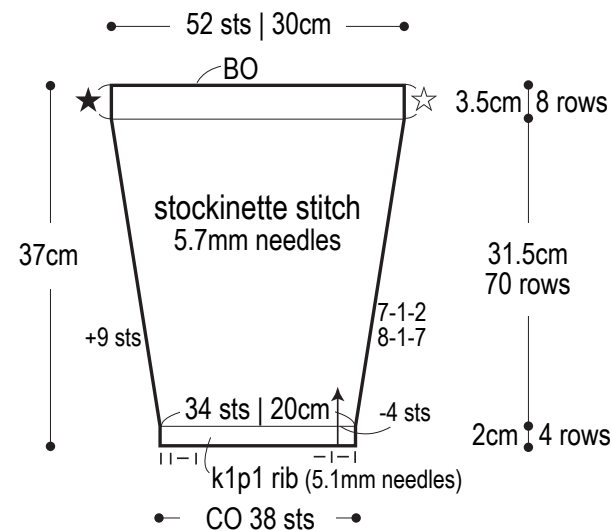
Front

#56 green apple



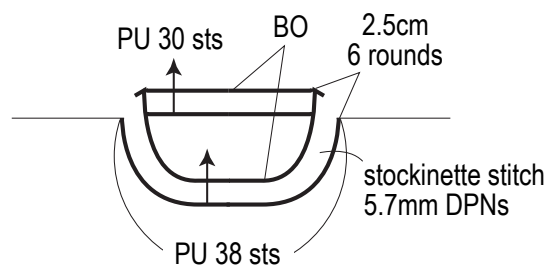
Sleeve

#56 green apple



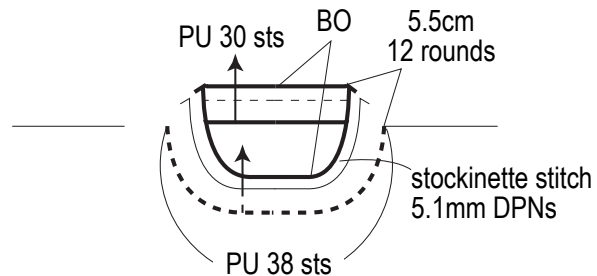
Outer collar

#56 green apple



Inner collar

#47 turquoise



Use this QR code on your smartphone to view a video about how to work the stitches-to-rows seam.



*To view on computer, search on the Pierrot Yarns website instead.

検索