

212w-09 Saumur Pullover



Suggested yarn:

- Pierrot Yarns Saumur [70% merino wool, 30% baby alpaca; 118 yds/108m per 1.06 oz./30g skein]; color #07 coral, 16 skeins [475g]

Tools/Notions:

- 2.5mm (approx. US B or C) crochet hook or size necessary to achieve gauge

Finished measurements:

- bust 120cm/47.24"
- center back neck-to-cuff 47.5cm/18.70"
- length 46.5cm/18.31"

Gauge (10cm/4" square):

- pattern stitch: 32 sts and 11.5 rows

Gauge may vary according to individual crochet style. Change hook size if necessary to achieve gauge. Alternatively, rework pattern with your own gauge measurements.

Crochet Tips

Back & front body; sleeves: Chain to begin, and work in pattern stitch. Work edgings A and A' along foundation chain.

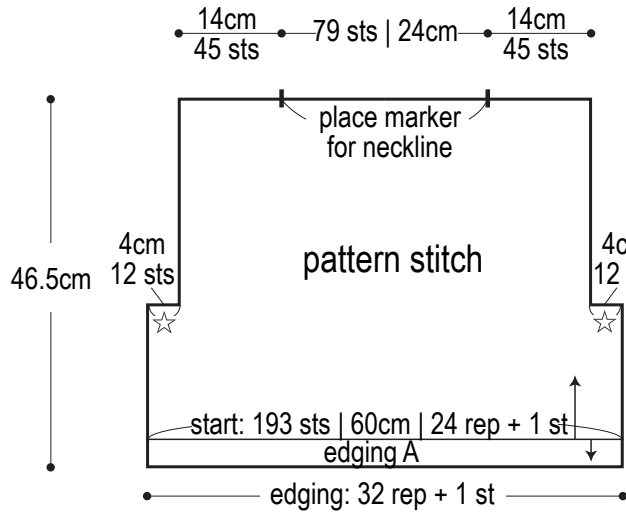
Finishing: Seam shoulders with woven seam. Seam sleeve cap with chain seam (alternating ch and slip stitch as needed to maintain pattern). Seam underarm gusset to sleeve (where marked with ○ and ☆, respectively) with woven seam. Then continue seaming sleeves with chain seam, continuing down side of garment. Work 2 rounds of edging B around neckline.

Abbreviations:

rep = repeat(s)

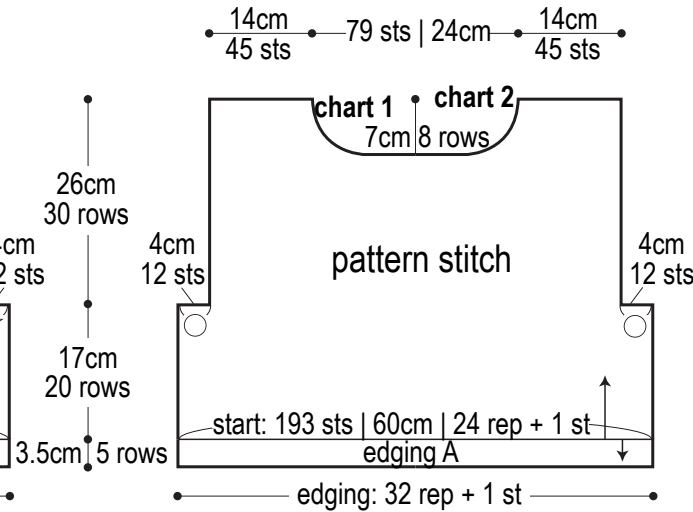
Back

2.5mm hook

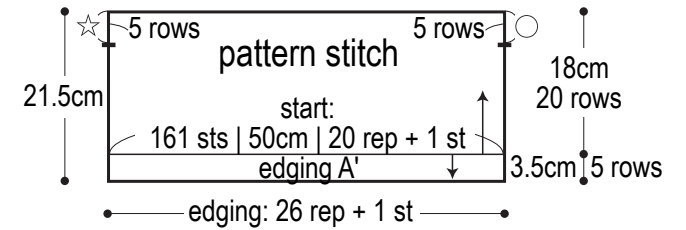


Front

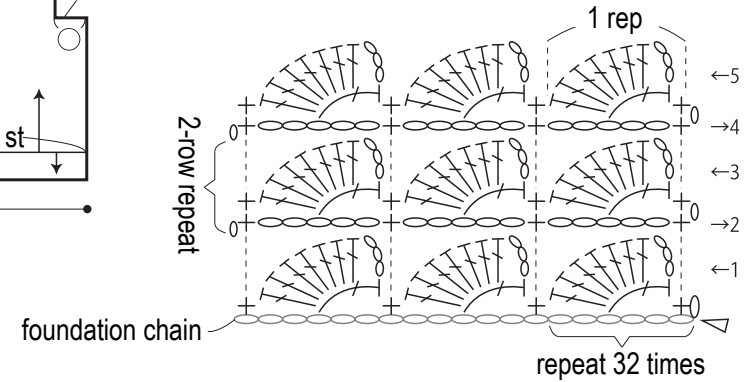
2.5mm hook



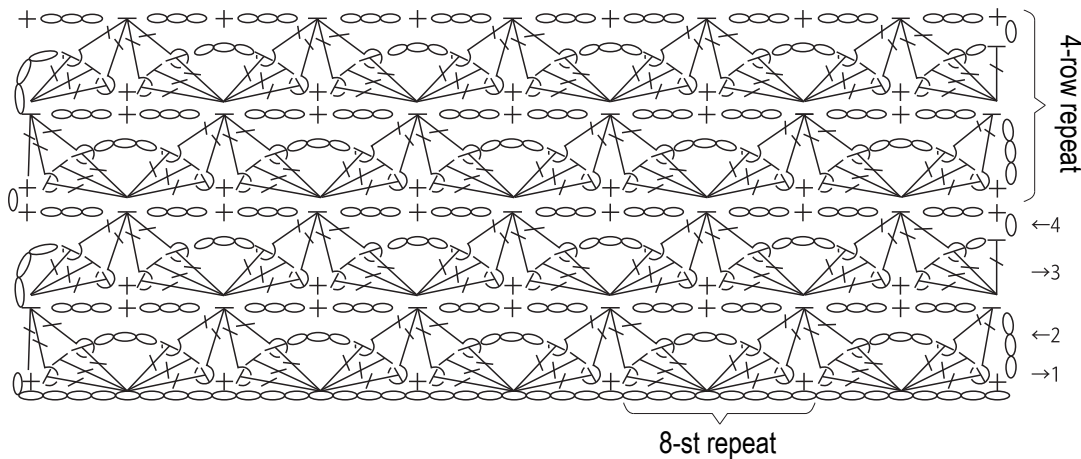
Sleeve (2.5mm hook)



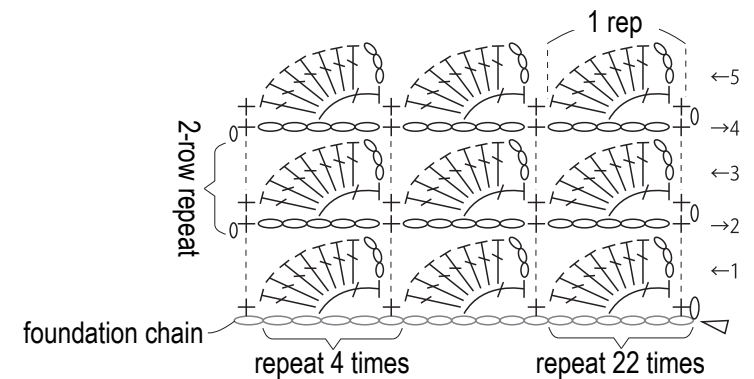
Edging A: hem (2.5mm hook)



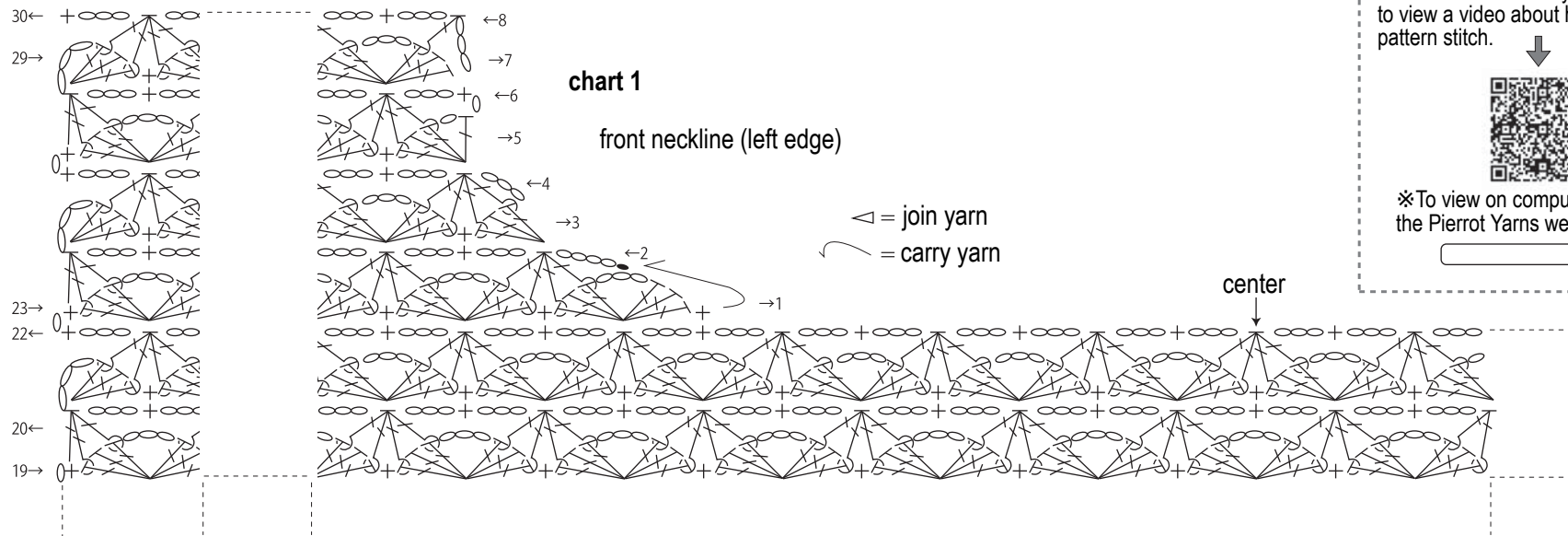
Pattern stitch (2.5mm hook)



Edging A': cuffs (2.5mm hook)



Pattern stitch (2.5mm hook)

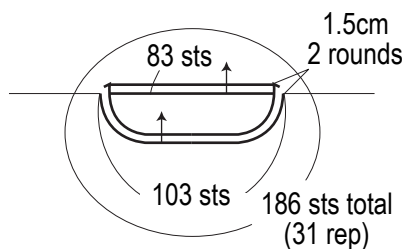


Use this QR code on your smartphone to view a video about how to work the pattern stitch.

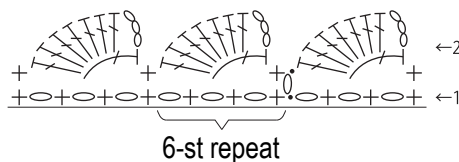
※To view on computer, search on the Pierrot Yarns website instead.

検索

Edging B: collar (2.5mm hook)



Edging B (2.5mm hook)



Pattern stitch (2.5mm hook)

