

# 212fw-34 Fine Merino Baby Vest & Booties



## Suggested yarn:

- Pierrot Yarns Fine Merino [100% extra fine merino wool; 103 yds/94m per 1.06 oz./30g skein];
  - vest: color #227 vanilla beige, 3 skeins [110g]
  - booties: 1) color #227 vanilla beige, 1 skein [20g]; 2) color #217 light almond green, 1 skein [15g]

## Tools/Notions:

- 3.9mm (approx. US 6) knitting needles or size necessary to achieve gauge
- vest: 4 buttons (20mm/0.79" diameter)
- 3.0mm (approx. US C or D) crochet hook or size necessary to achieve gauge
- booties: 2 buttons (15mm/0.59" diameter)

## Finished measurements:

- chest 61cm/24.02"
- cross back width 23.5cm/9.25"
- vest length 31cm/12.20"
- foot length 11cm/4.33"

## Gauge (10cm/4" square):

- pattern stitch A (3.9mm needles): 24 sts and 35 rows
- pattern stitch C (3.0mm hook): 21 sts and 10 rows
- single crochet (US) (3.0mm hook): 25 sts and 26 rows

*Gauge may vary according to individual crochet style. Change hook size if necessary to achieve gauge. Alternatively, rework pattern with your own gauge measurements.*

## Knitting & Crochet Tips

**Back & front upper body:** Cast on with crochet cast-on (work a chain, then pick up knitting stitches from bottom loops of chain). Work in pattern stitch A. Work buttonholes in left front. Seam shoulders with slip stitch. Seam sides with mattress stitch.

**Back & front lower body:** Pick up stitches from cast-on edge of upper body. Work in pattern stitches B and C.

**Vest finishing:** Work edging in the round along armholes. Work edging in the round along hem, front edges, and neckline. Sew buttons to right front.

**Booties (soles & sides):** Work chain to begin. Work sc in the round, increasing and decreasing as indicated. ※Refer to charts for color sequences.

**Booties (heel):** Join yarn where indicated. Work sc back-and-forth in rows.

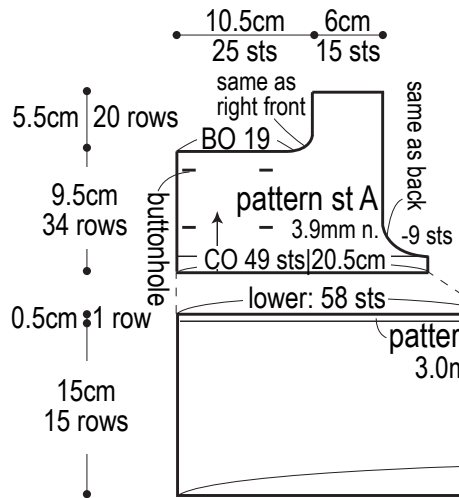
**Booties (instep and tongue):** Work chain to begin. Crochet in pattern stitch D and sc.

**Booties (finishing):** Seam heels with whipstitch where indicated on side of booties. Fold tongue where indicated; whipstitch to wrong side. Crochet straps and seam in place. Sew buttons to booties.

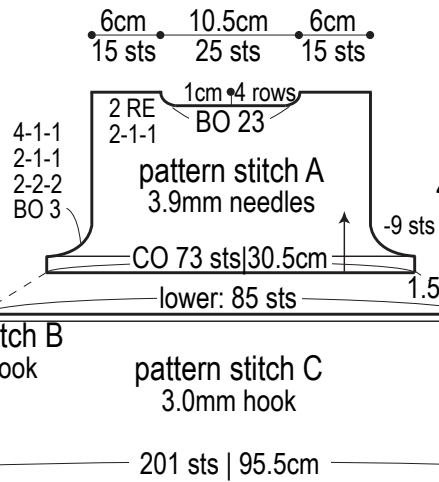
## Abbreviations:

BO = bind off    CO = cast on    ch = chain    sc = single crochet (US)    RE = row(s) even    #-#-# = rows-stitches-times

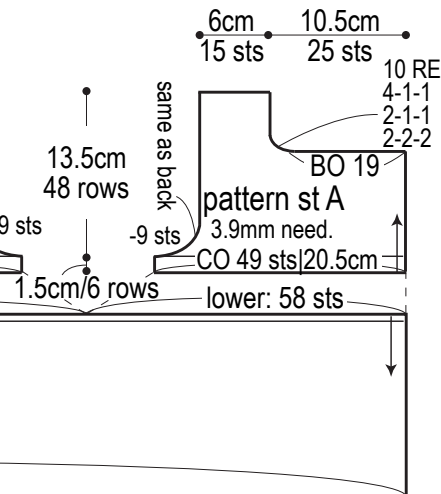
## Left front



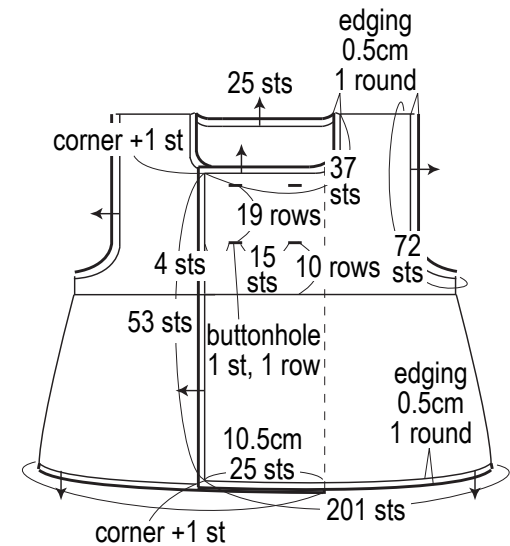
## Back



## Right front



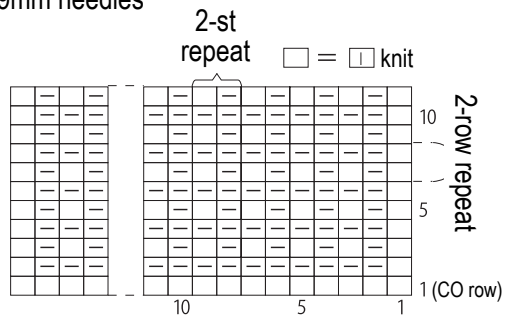
## Finishing



\*Buttonholes are worked in the left front in order to make it suitable for either gender.

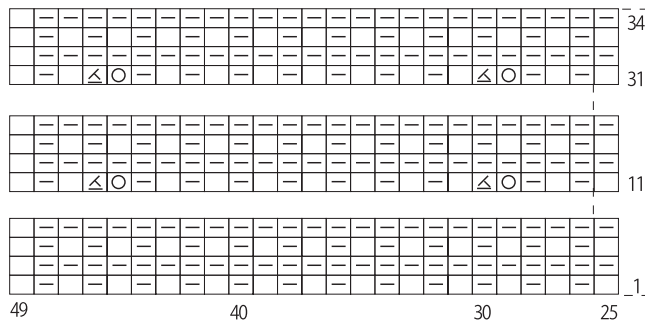
## Pattern stitch A

3.9mm needles



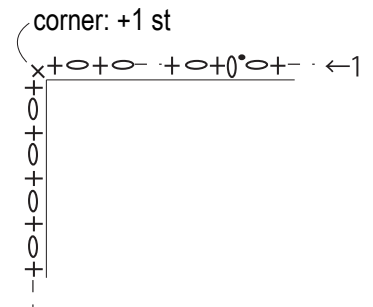
## Buttonholes (3.9mm needles)

□ = □ knit



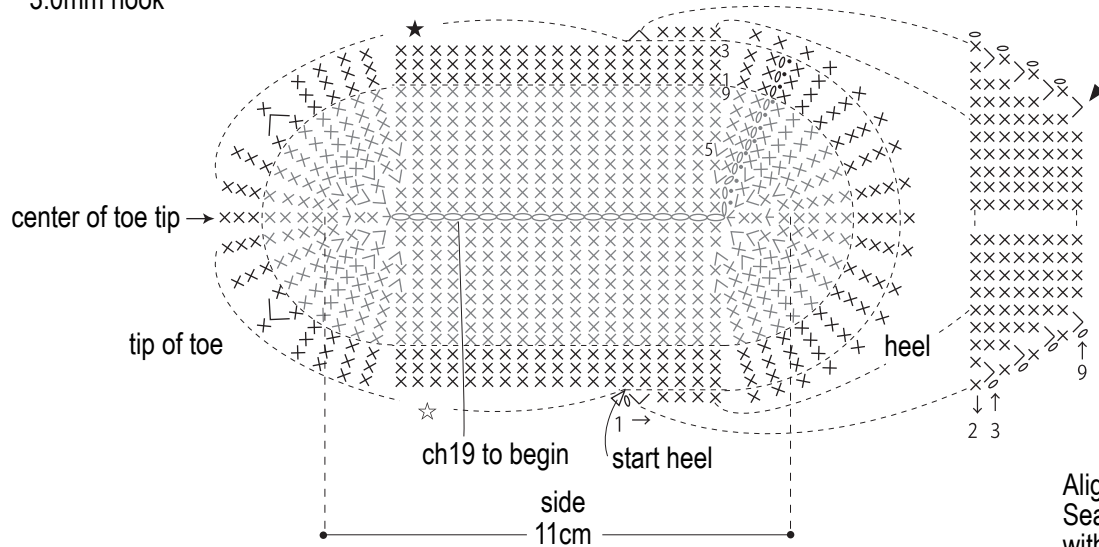
## Edging

3.0mm hook



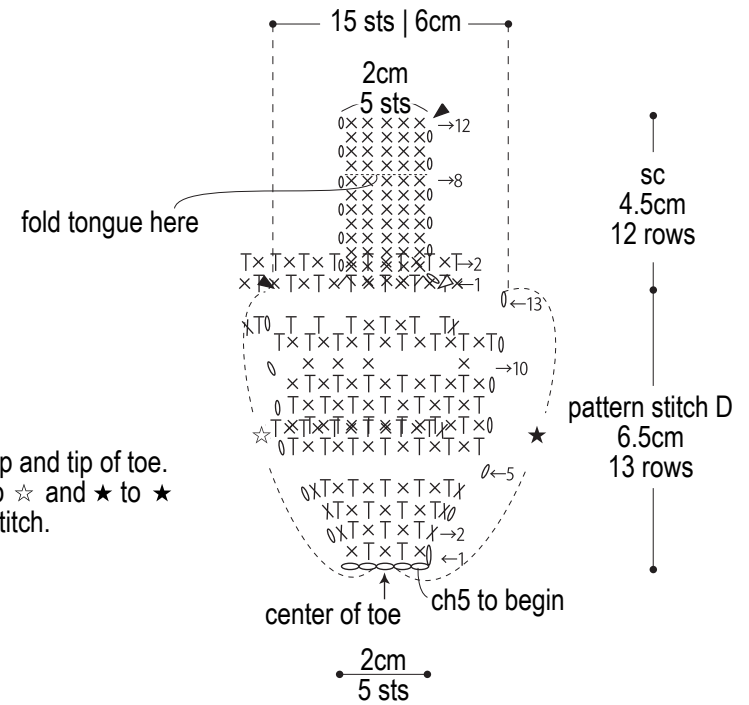
## Sole, sides, and ankle

3.0mm hook



## Instep and tongue

3.0mm hook, #227 vanilla beige



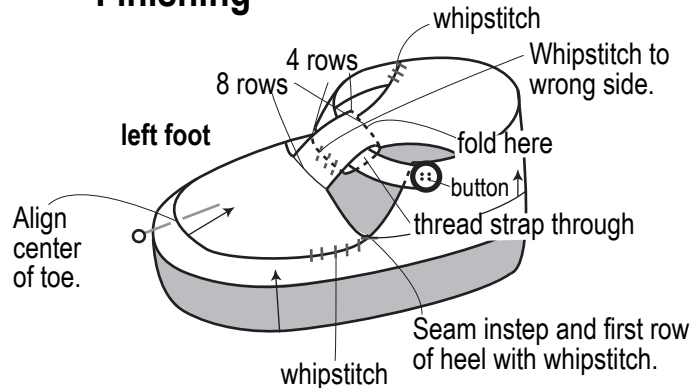
## Sole & side stitch counts

round	stitch count	
side	3	70 sts (work even)
	2	70 sts (-2 sts)
	1	72 sts
	9	72 sts
	~	work even
	6	72 sts
bottom	5	72 sts (+8 per round)
	4	64 sts
	3	56 sts (+8 sts)
	2	48 sts (+4 sts)
	1	44 sts

#227 vanilla beige (rows 1-6)  
#217 light almond green (rows 7-11)

- ◁ = join yarn
- ◀ = cut yarn
- = #227 vanilla beige
- = #217 light almond green

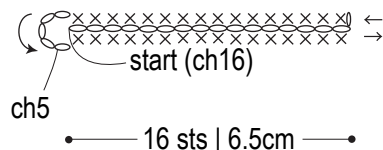
## Finishing



\*Finish right foot in the same way, but reverse placement of strap and button.

## Strap

3.0mm hook, #227 vanilla beige



## Pattern stitches B, C

3.0mm hook

