

# 212fw-14 Long Ribbon Sweater



## Suggested yarn:

- Pierrot Yarns Saumur [70% merino wool, 30% baby alpaca; 118 yds/108m per 1.06 oz./30g skein]; color #11 sepia red, 3 skeins [270g]

## Tools/Notions:

- 3.3mm (approx. US 3) and 3.9mm (approx. US 6) straight knitting needles or sizes necessary to achieve gauge
- 3.3mm (approx. US 3) double-pointed knitting needles or size necessary to achieve gauge
- safety pin for ribbon

## Finished measurements:

- bust 92cm/36.22"
- center back neck-to-cuff 32cm/12.60"
- length 67cm/26.38"

## Gauge (10cm/4" square):

- pattern stitch: 23 sts and 35 rows
- stockinette stitch: 30 sts and 39 rows

*Gauge may vary according to individual knitting style. Change needle size if necessary to achieve gauge. Alternatively, rework pattern with your own gauge measurements.*

## Knitting Tips

**Back & front body:** Cast on with crochet provisional cast-on method. Work in pattern stitch. Work increases at underside of sleeve with backwards-loop cast-on. Pick up live stitches from provisional cast-on edge at hem. Work hem edging in k1p1 ribbing. Bind off in pattern. (Alternatively, bind off with 1x1 tubular bind-off method.)

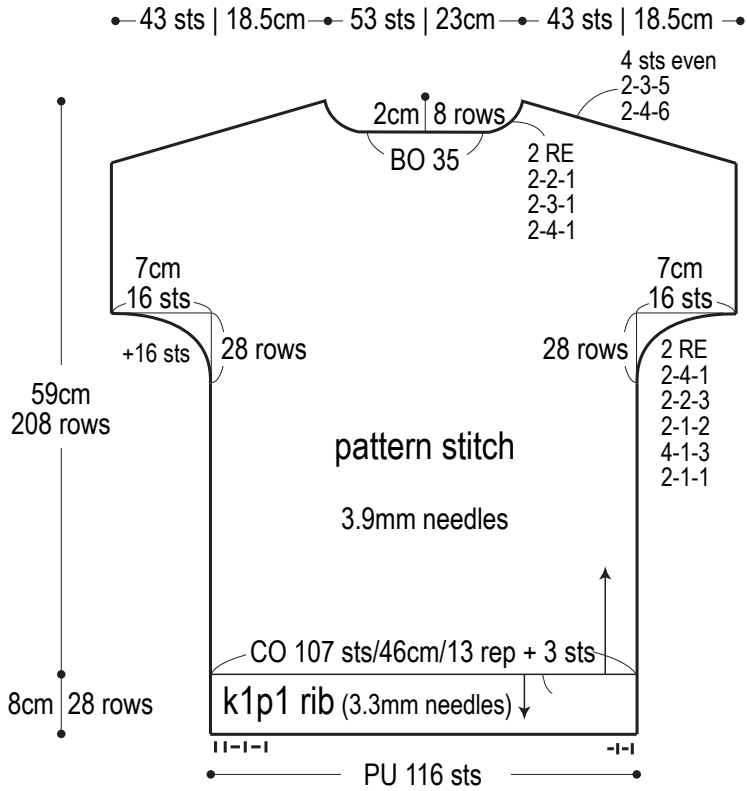
**Ribbon:** Cast on with long-tail cast-on method. Work body of ribbon in pattern stitch and middle of ribbon in stockinette stitch. Bind each of these two pieces off in pattern. Referring to diagrams, finish ribbon and sew safety pin to its back.

**Finishing:** Seam shoulders with three-needle bind-off. Seam sides with mattress stitch. Sew sleeve undersides with half backstitch. Pick up stitches around neckline and cuffs; work k1p1 ribbing in the round. Bind off in pattern. Alternatively, bind off with 1x1 tubular bind-off method.

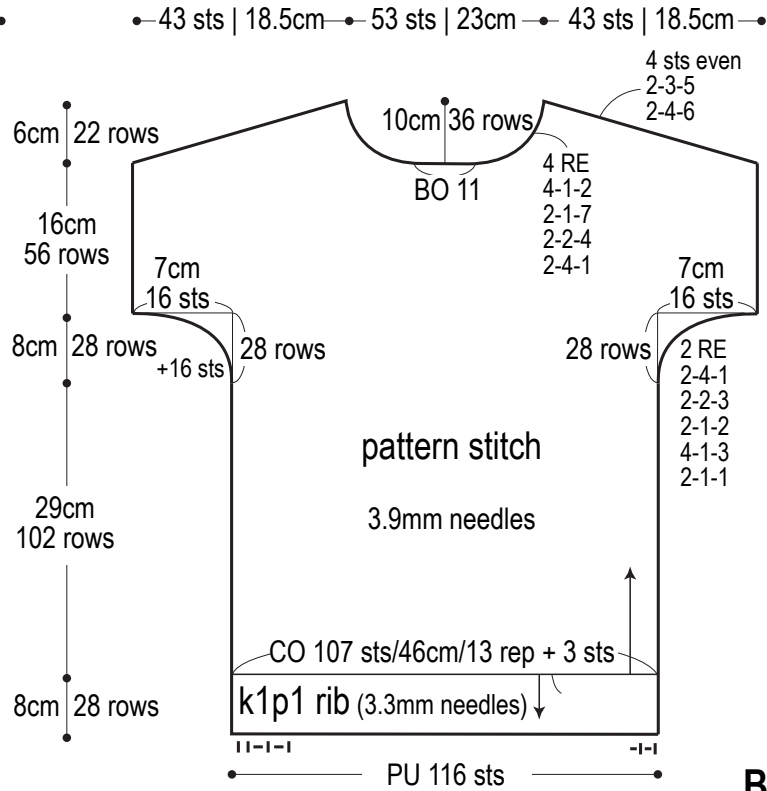
## Abbreviations:

BO = bind off    CO = cast on    PU = pick up    RE = row(s) even    rep = repeat(s)    #-#-# = rows-stitches-times

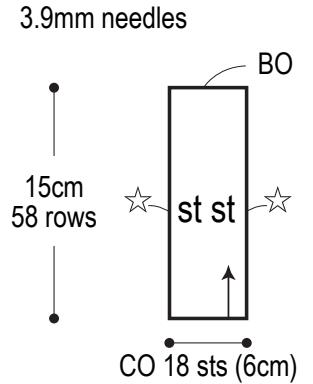
## Back



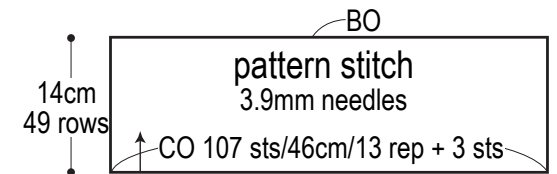
## Front



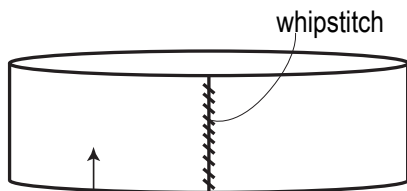
## Middle of ribbon



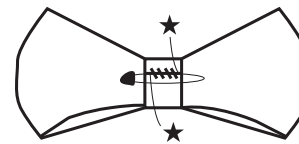
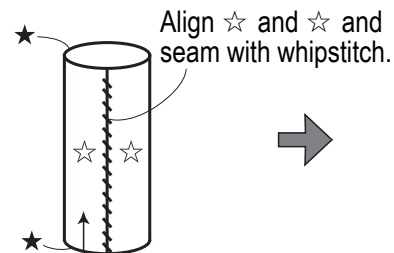
## Body of ribbon



## Finishing: body of ribbon



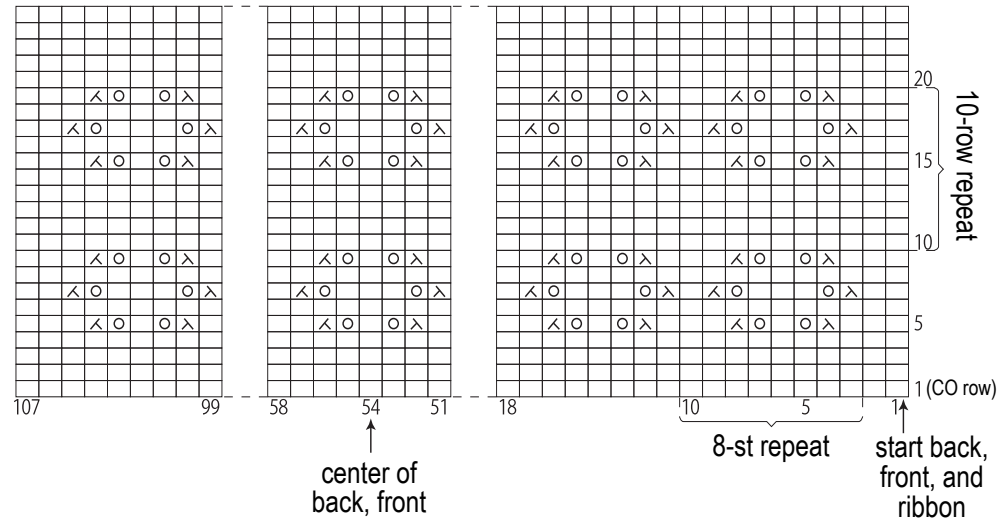
## Finishing: middle of ribbon



Wrap middle section around body of ribbon. Align ☆ and ☆ and seam with whipstitch. Seam a safety pin to the wrong side of the middle section.

## Pattern stitch (3.9mm needles)

□ = □ knit



## Collar & cuff edging

3.3mm DPNs

