

# 212fw-13 Chiffon Sweater



## Suggested yarn:

- Pierrot Yarns Chiffon [100% baby alpaca; 117 yds/107m per 1.06 oz./30g skein]; color #58 scarlet, 11 skeins [310g]

## Tools/Notions:

- 3.3mm (approx. US 3) and 3.6mm (approx. US 4) knitting needles or sizes necessary to achieve gauge
- 2.3mm (approx. US B) and 2.5mm (approx. US B or C) crochet hooks or sizes necessary to achieve gauge

## Finished measurements:

- bust 91cm/35.83"
- cross back width 35.5cm/13.98"
- length 60cm/23.62"
- sleeve length 55cm/21.65"

## Gauge (10cm/4" square):

- pattern stitch (3.6mm needles): 25 sts and 36 rows
- edging (2.5mm hook): 25.5 sts and 20 rows

*Gauge may vary according to individual knitting style. Change needle size if necessary to achieve gauge. Alternatively, rework pattern with your own gauge measurements.*

## Knitting Tips

**Body & sleeves:** Cast on with long-tail cast-in method. Work in pattern stitch. For body, alter gauge of waist section by changing needle size as indicated. Shape sleeve edges by working lifted increases. Shape armscye and neckline by binding off stitches where indicated and by working decreases at the edges.

**Finishing:** Seam shoulders with crochet slip stitch seam. Seam sides and sleeve undersides with mattress stitch. Work edging in the round along hem, cuffs, and collar. Seam sleeves to body with crochet slip stitch seam.

## Abbreviations:

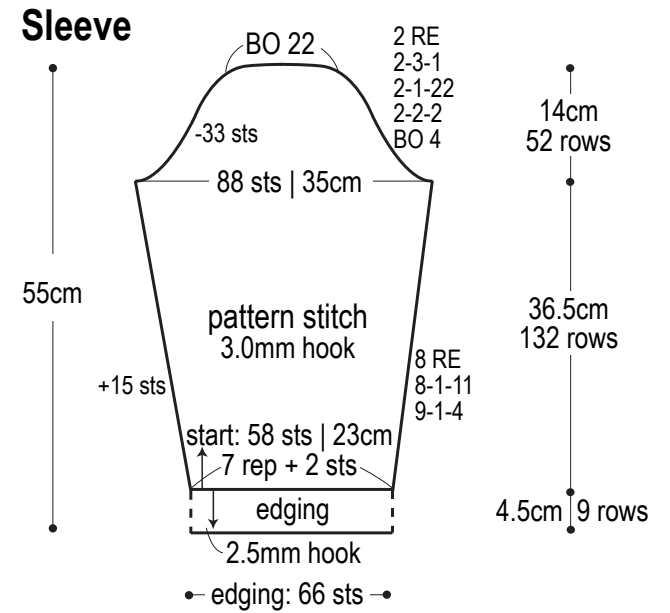
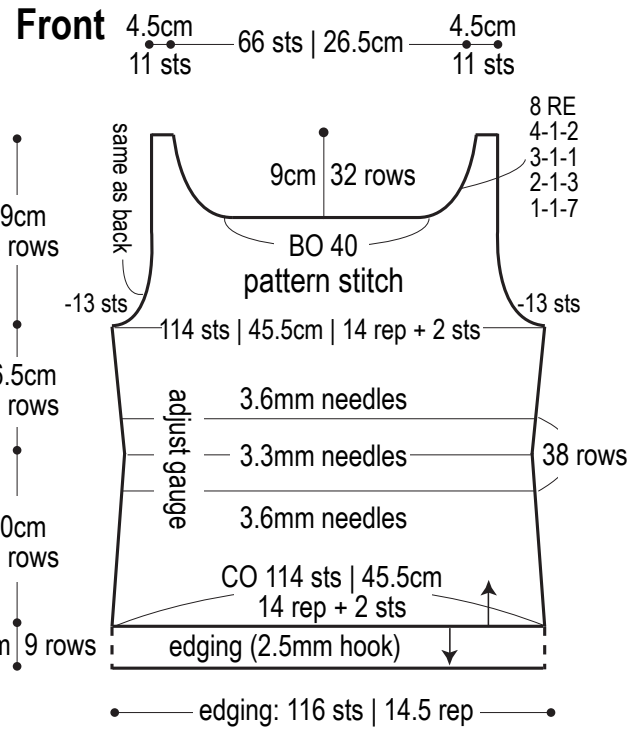
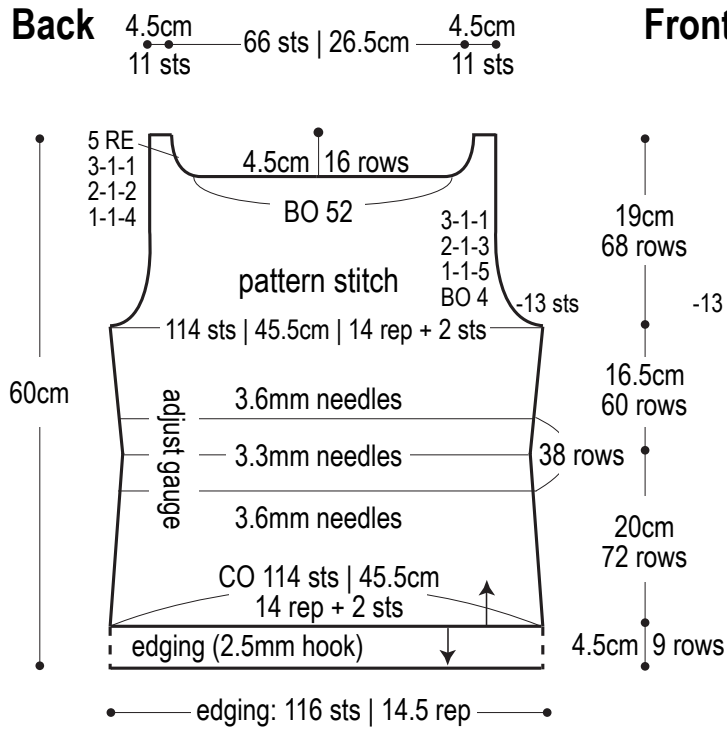
BO = bind off

CO = cast on

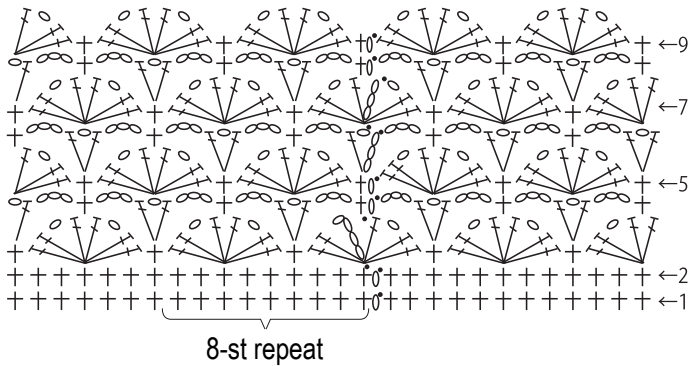
RE = row(s) even

rep = repeat(s)

#-#-# = rows-stitches-times

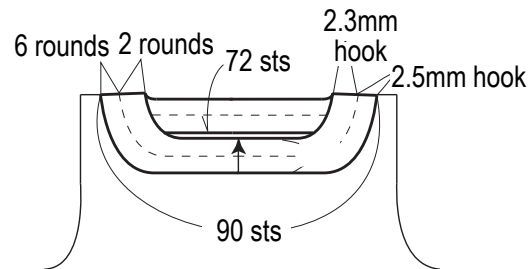


### Edging (2.5mm hook)



※For collar **only**, work rounds 7-9 with 2.3mm hook.

### Collar (2.3 & 2.5mm hooks)



### Pattern stitch

