

212fw-11 Girly Style Loop Sweater



Suggested yarn:

- Pierrot Yarns Silk Rosa [75% super kid mohair, 25% silk; 213 yds/195m per 0.88 oz./25g skein]; color #09 mandarin orange, 3 skeins [75g]
- Pierrot Yarns Cutie Mohair [28% kid mohair, 28% acrylic, 14% superwash wool, 30% nylon; 339 yds/310m per 0.88 oz./25g skein]; color #24 light papaya, 2 skeins [45g]

Tools/Notions:

- 3.9mm (approx. US 6) and 4.2mm (approx. US 7) straight knitting needles or sizes necessary to achieve gauge
- 3.9mm (approx. US 6) and 4.5mm (approx. US 7) double-pointed knitting needles or sizes necessary to achieve gauge
- 4.0mm (US G) crochet hook or size necessary to achieve gauge

Finished measurements:

- bust 92cm/36.22"
- cross back width 34.5cm/13.58"
- length 54cm/21.26"
- sleeve length 14cm/5.51"

Gauge (10cm/4" square):

- stockinette stitch: 19.5 sts and 27 rows
- pattern stitch (4.0mm hook): 17.5 sts and 23 rows

Gauge may vary according to individual knitting style. Change needle size if necessary to achieve gauge. Alternatively, rework pattern with your own gauge measurements.

Knitting Tips

※Entire garment worked with 2 strands of yarn held together (1 strand of Silk Rosa and 1 strand of Cutie Mohair).

Back and front body: Cast on with long-tail cast-on method. Work in k3p2 ribbing, then stockinette stitch.

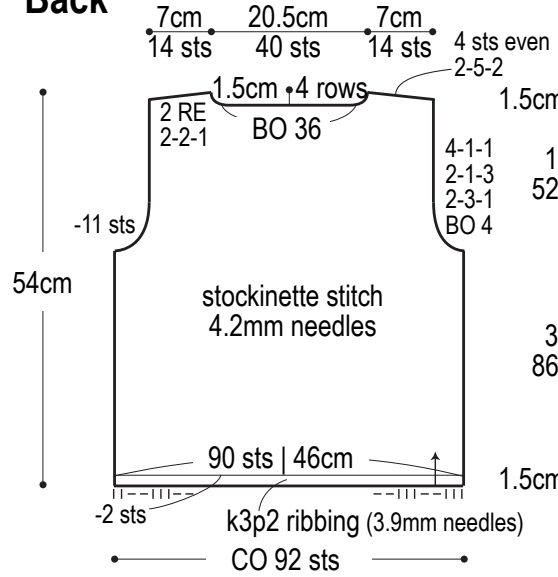
Sleeves: Crochet chain to begin, and work first row into bottom loops of chain. Work in pattern stitch.

Finishing: Seam shoulders with crochet slip stitch seam. Seam sides with mattress stitch. Seam sleeve undersides with chain seam (alternating ch and sl st as needed), then seam sleeves to body with crochet slip stitch seam. Pick up stitches around neckline and work collar in the round.

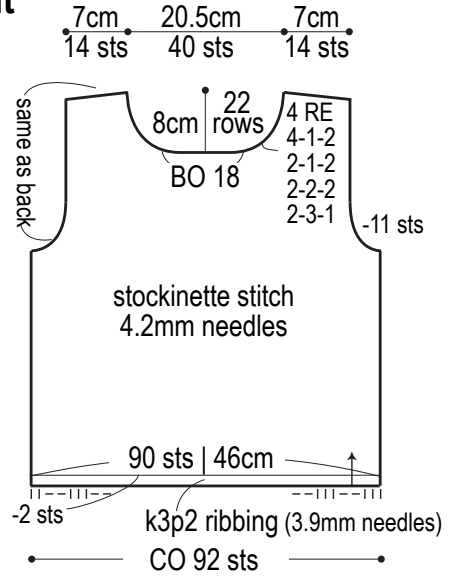
Abbreviations:

BO = bind off ch = chain stitch CO = cast on PU = pick up RE = row(s) even sc = single crochet (US) sl st = slip stitch ### = rows-stitches-times

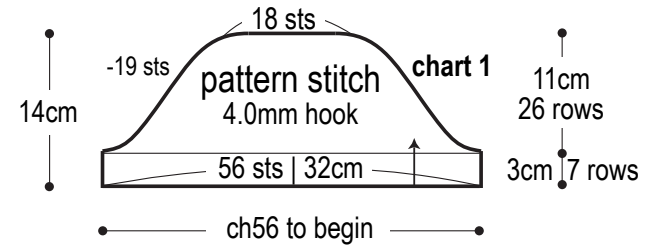
Back



Front

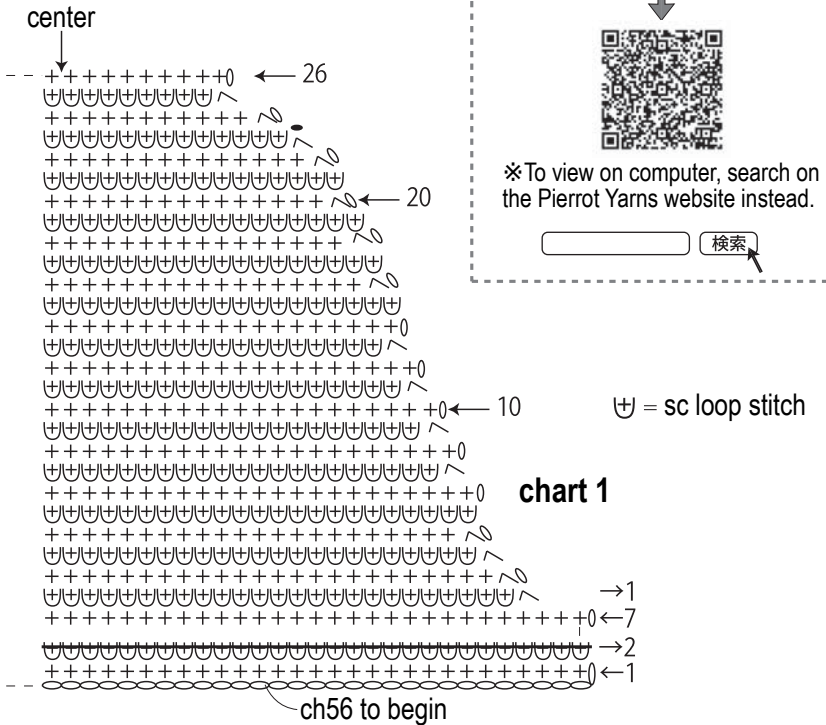


Sleeve



Pattern stitch (sleeves)

4.0mm hook



Use this QR code on your smartphone to view a video about how to work the sc loop stitch.

※To view on computer, search on the Pierrot Yarns website instead.

検索

Collar

k3p2 ribbing

