

211w-20 Urban Modern Long Pullover & Scarf



Suggested yarn:

- Pierrot Yarns Silk Silpalon [50% silk, 50% silpalon acrylic; 273 yds/250m per 1.76 oz./50g cone]; color #6117 pearl gray, 8 cones [390g]

Tools/Notions:

- 3.0mm (US 2½) and 3.6mm (approx. US 4 or 5) straight knitting needles or sizes necessary to achieve gauge
- 3.0mm (US 2½) double-pointed knitting needles or size necessary to achieve gauge
- 2.3mm (approx. US B) crochet hook or size necessary to achieve gauge

Finished measurements:

- pullover:
 - bust 90cm/35.43"
 - cross back width 35cm/13.78"
 - length 73cm/28.74"
 - sleeve length 55cm/21.65"
- scarf:
 - width 19cm/7.48"
 - length 111.5cm/43.90"

Gauge (10cm/4" square):

- pullover:
 - stockinette stitch: 22 sts and 28 rows
 - twisted k1p1 rib: 24 sts and 36 rows
- scarf:
 - stockinette stitch: 28 sts and 28 rows
 - pattern stitch A: 28 sts and 31 rows

Gauge may vary according to individual knitting style. Change needle size if necessary to achieve gauge. Alternatively, rework pattern with your own gauge measurements.

Knitting Tips

※Pullover is worked with 2 strands of yarn held together.

Front and back body & sleeves: Cast on with crochet provisional cast-on method, and work in stockinette stitch. For waist and sleeve shaping, work fully fashioned increases and decreases 3 stitches in from the edge. For armscye and neckline shaping, work fully fashioned decreases 1 stitch in from the edge. Remove provisional cast-on edge; pick up live stitches and work hem and cuffs in twisted k1p1 ribbing. Bind off in pattern.

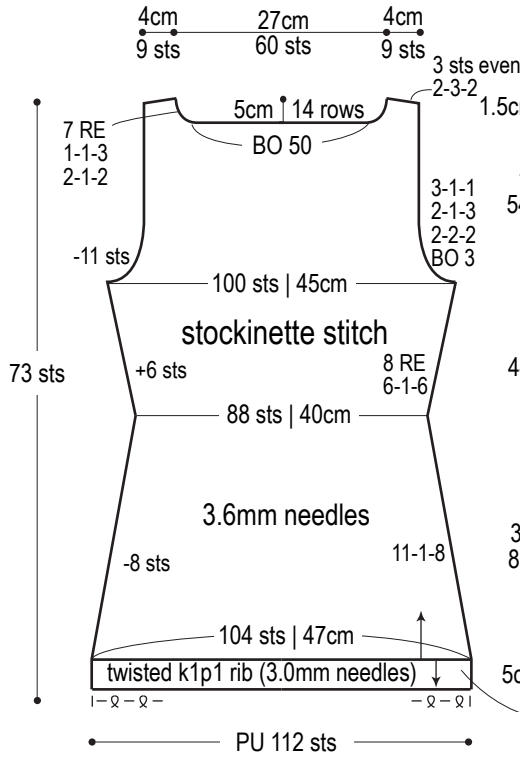
Finishing: Seam shoulders with three-needle bind-off. Pick up stitches around neckline, and work collar in k1p1 ribbing. Bind off in pattern. Seam sides and sleeve undersides with mattress stitch. Seam sleeves to body with crochet slip stitch seam.

Scarf: With 1 strand of yarn, knit and crochet according to chart.

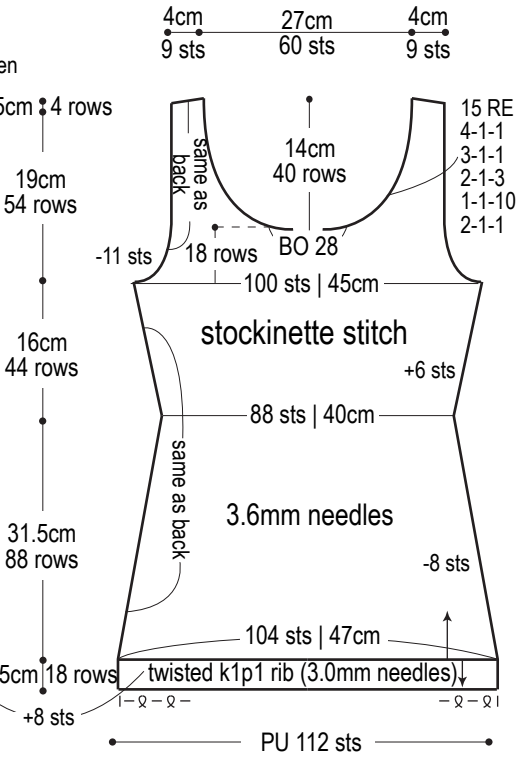
Abbreviations:

BO = bind off
CO = cast on
PU = pick up
RE = row(s) even
= rows-stitches-times

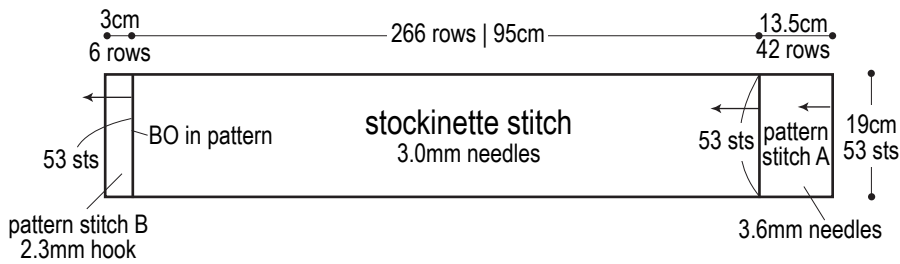
Back



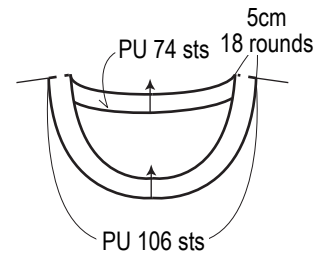
Front



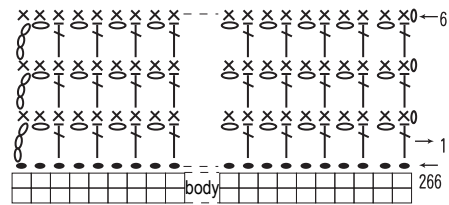
Scarf



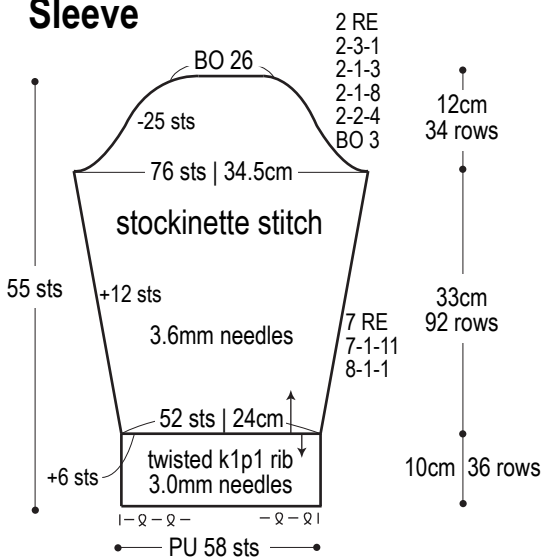
Collar (k1p1 ribbing) 3.0mm DPNs



Pattern stitch B (2.3mm hook)



Sleeve



Pattern stitch A

