

# 211w-01 White Openwork Pullover



## Suggested yarn:

- Grignasco Flavia Baby [100% merino; 219 yds/200m per 1.76 oz./50g skein]; color #001 white, 5 skeins [235g]
- Pierrot Yarns Cutie Mohair [28% kid mohair, 28% acrylic, 14% superwash wool, 30% nylon; 339 yds/310m per 0.88 oz./25g skein]; color #29 light beige, 3 skeins [75g]

## Tools/Notions:

- 3.6mm (approx. US 4 or 5) and 4.2mm (approx. US 6) knitting needles or sizes necessary to achieve gauge
- 3.6mm (approx. US 4 or 5) double-pointed knitting needles or size necessary to achieve gauge

## Finished measurements:

- bust 92cm/36.22"
- cross back width 35cm/13.78"
- length 59.5cm/23.43"
- sleeve length 58cm/22.83"

## Gauge (10cm/4" square):

- pattern stitch: 20 sts and 28 rows

*Gauge may vary according to individual knitting style. Change needle size if necessary to achieve gauge. Alternatively, rework pattern with your own gauge measurements.*

## Knitting Tips

※Entire garment worked with 2 strands of yarn held together: 1 strand of Flavia Baby and 1 strand of Cutie Mohair.

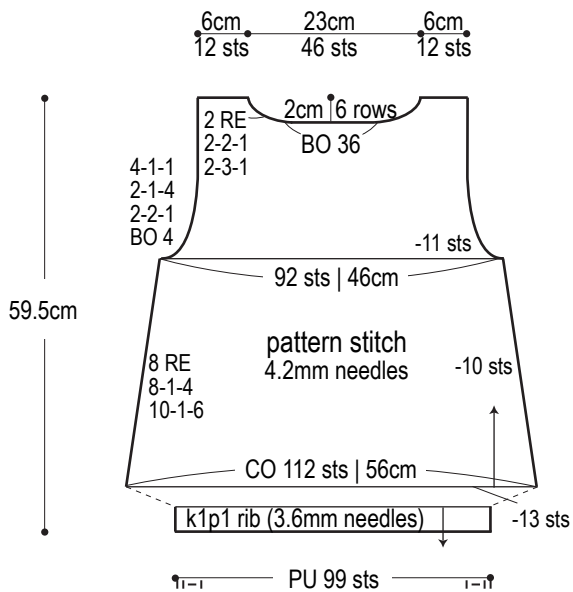
**Front and back body & sleeves:** Cast on with crochet provisional cast-on method. Work in pattern stitch. Remove provisional cast-on edge and pick up live stitches. Work in k1p1 ribbing. Bind off in pattern.

**Finishing:** Seam shoulders with crochet slip stitch. Seam sides and sleeve undersides with mattress stitch. Pick up stitches around neckline; work collar in k1p1 ribbing in the round. Bind off in pattern as for hem. Seam sleeves to body with crochet slip stitch.

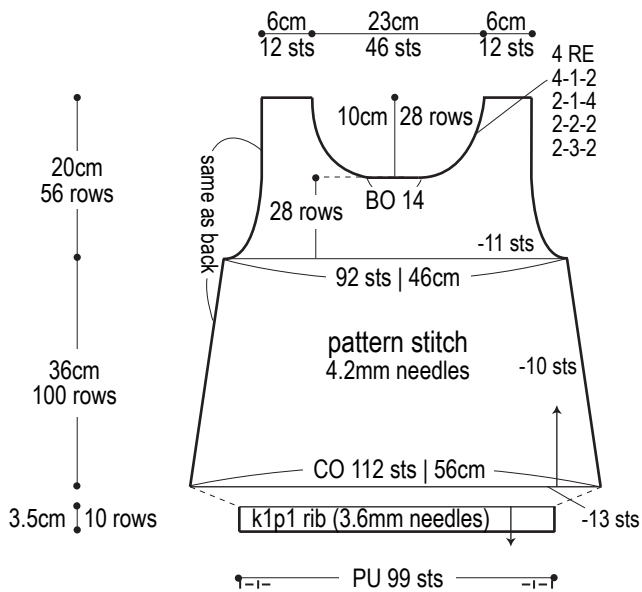
## Abbreviations:

BO = bind off  
CO = cast on  
PU = pick up  
RE = row(s) even  
#-#-# = rows-stitches-times

## Back

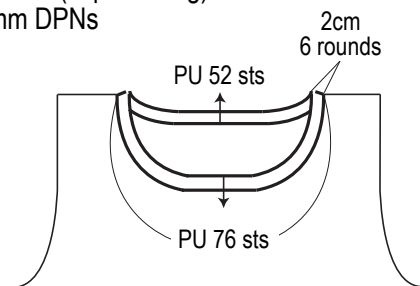


## Front

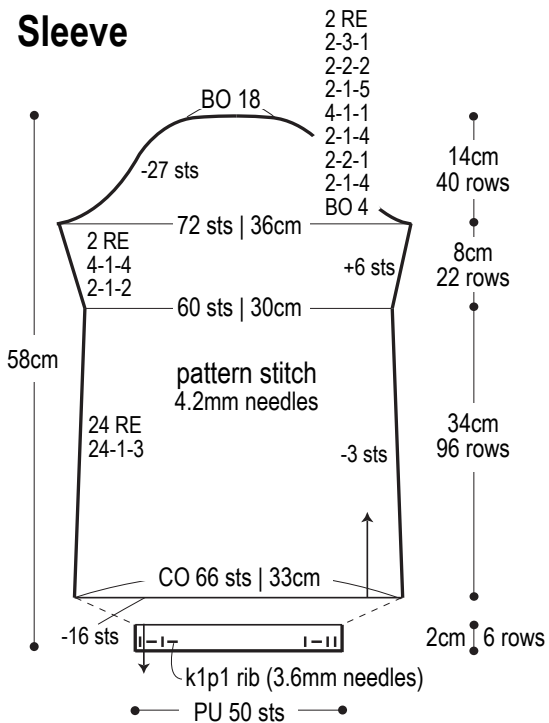


## Collar (k1p1 ribbing)

3.6mm DPNs



## Sleeve



## Pattern stitch (4.2mm needles)

□ = □ knit

