

20-21-20 5-Skein Sweater



Suggested yarn:

- Pierrot Yarns Super Kid Mohair (*discontinued*) [75% mohair, 25% nylon; 306 yds/280m per 0.88 oz./25g skein]; color #5801 white, 5 skeins [125g]
- *suggested substitute*: Pierrot Yarns Cutie Mohair [30% nylon, 28% mohair, 28% acrylic, 14% wool; 339 yds/310m per 0.88 oz./25g skein]; color #21 ivory, 5 skeins [125g]

Tools/Notions:

- 3.9mm (approx. US 6) and 4.5mm (US 7) straight knitting needles or sizes necessary to achieve gauge
- 3.3mm (approx. US 3), 3.6mm (approx. US 4 or 5), and 3.9mm (approx. US 6) and 4.5mm (US 7) circular knitting needles or sizes necessary to achieve gauge

Finished measurements:

- bust 98cm/38.58"
- cross back width 36cm/14.17"
- length 54cm/21.26"
- sleeve length 26cm/10.24"

Gauge (10cm/4" square):

- pattern stitch: 19 sts and 30 rows

Gauge may vary according to individual knitting style. Change needle size if necessary to achieve gauge. Alternatively, rework pattern with your own gauge measurements.

Knitting Tips

※Entire garment worked with 3 strands of yarn held together.

Body & sleeves: Cast on with crochet provisional cast-on method; work in pattern stitch following schematic. Pick up live stitches from provisional cast-on edge at hem and cuff. Work hem and cuff edging in k1p1 ribbing. Bind off with 1x1 tubular bind-off method.

Collar: Seam shoulders with three-needle bind-off. Pick up required number of stitches around neckline. Work collar in the round, changing needle size when indicated to alter gauge.

Finishing: Seam sides and sleeve undersides with mattress stitch. Seam sleeves to body with crochet slip stitch seam.

Abbreviations:

BO = bind off

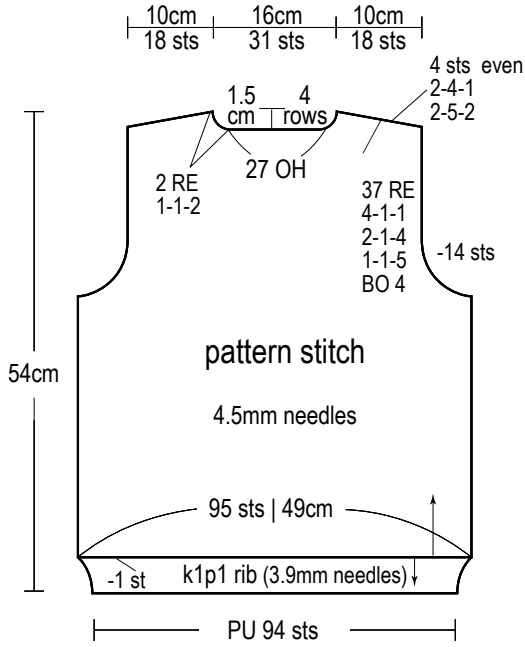
OH = on hold (i.e., place stitches on stitch holder)

PU = pick up

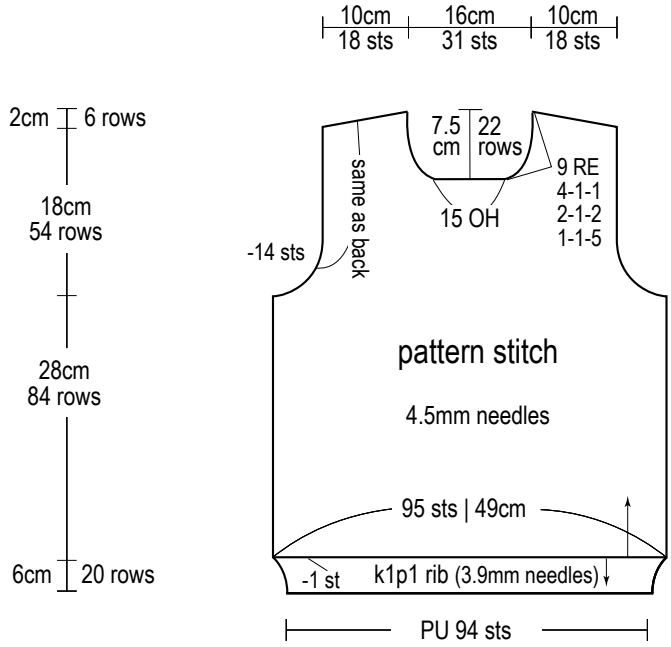
RE = row(s) even

= rows-stitches-times

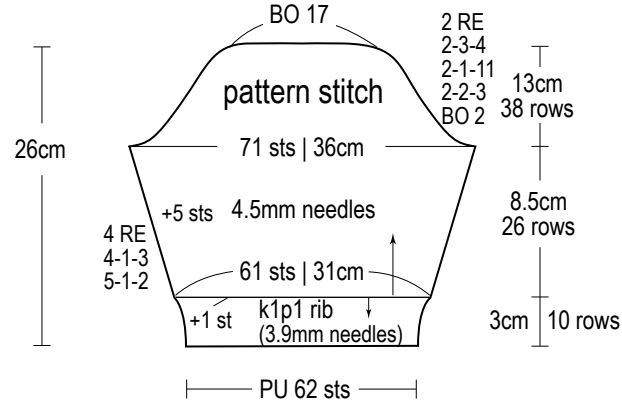
Back



Front

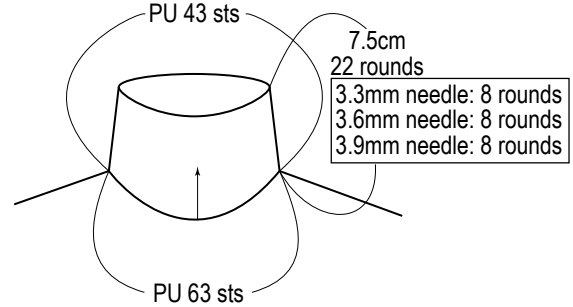


Sleeve



Collar: k1p1 ribbing

3.3mm, 3.6mm & 3.9mm circular needles



Pattern stitch

