

212s-4 Cotton Neat Summer Sweater



Suggested yarn:

- Pierrot Yarns Basic Cotton S [100% cotton; 104 yds/95m per 1.41 oz./40g skein]; color #02 ivory, 12 skeins [460g]

Tools/Notions:

- 2.7mm (approx. US 2) and 3.3mm (approx. US 3) knitting needles or sizes necessary to achieve gauge
- 3.3mm (approx. US 3) double-pointed knitting needles or size necessary to achieve gauge

Finished measurements:

- bust 100cm/39.37"
- cross back width 50cm/19.69"
- length 48cm/18.90"
- sleeve length 36cm/14.17"

Gauge:

- pattern stitch A: 28 sts = 9cm/3.54"; 38 rows = 10cm/3.94"
- pattern stitch A': 20 sts = 6.5cm/2.56"; 38 rows = 10cm/3.94"
- pattern stitch B: 2 sts = 0.5cm/0.20"; 38 rows = 10cm/3.94"
- pattern stitch C: 7 sts = 2.5cm/0.98"; 38 rows = 10cm/3.94"
- pattern stitch D: 3 sts = 1cm/0.39"; 38 rows = 10cm/3.94"
- reverse stockinette stitch: 25 sts and 38 rows = 10cm/3.94" square

Gauge may vary according to individual knitting style. Change needle size if necessary to achieve gauge. Alternatively, rework pattern with your own gauge measurements.

Knitting Tips

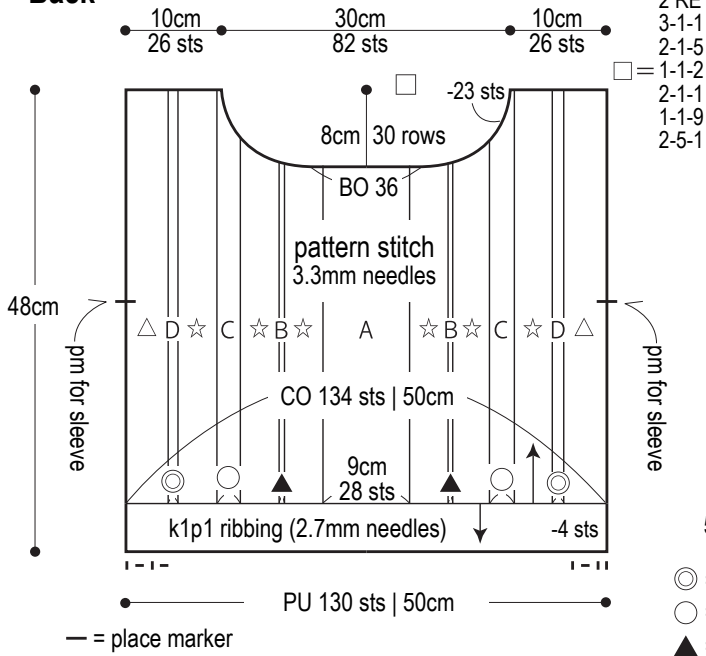
Front & back body; sleeves: Cast on with crochet provisional cast-on method. Referring to schematics, work in pattern stitch. Place marker on front and back body for sleeves. Pick up live stitches from provisional cast-on edge at hem and cuff edges; work k1p1 ribbing. Bind off in pattern.

Finishing: Seam shoulders with slip stitch. Seam sleeves to body between shoulder and marker. Then seam sides and sleeve undersides in one continuous seam using mattress stitch. Pick up stitches around neckline; work k1p1 ribbing in the round. Bind off in pattern. (Alternatively, bind off with 1x1 tubular bind-off method.)

Abbreviations:

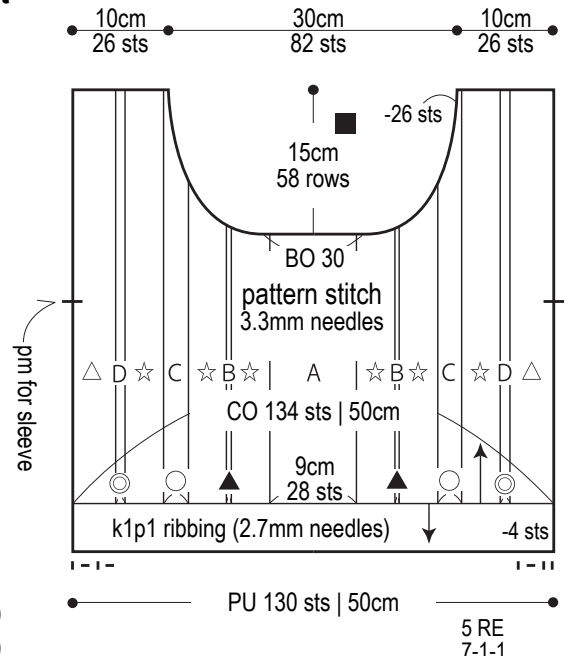
BO = bind off
CO = cast on
pm = place marker
PU = pick up
RE = row(s) even
YO = yarn over
#-#-# = rows-stitches-times

Back



2 RE
3-1-1
2-1-5
1-1-2
2-1-1
1-1-9
2-5-1

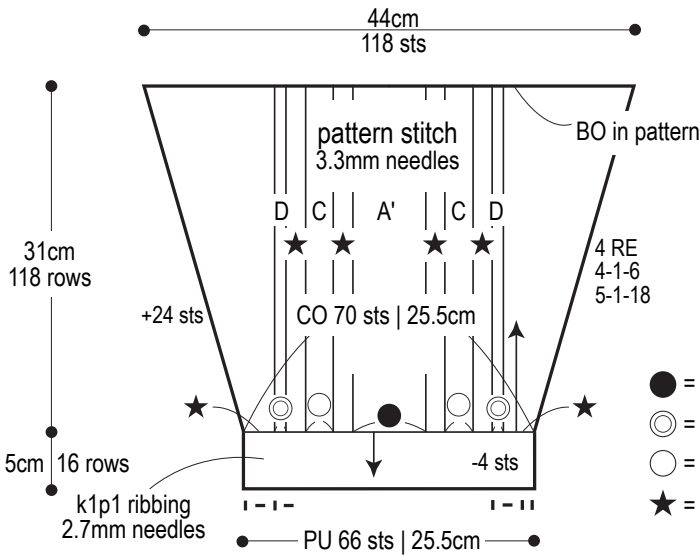
Front



○ = 1cm (3 sts)
○ = 2.5cm (7 sts)
▲ = 0.5cm (2 sts)
☆ = 4cm (10 sts)
△ = 4.5cm (11 sts)

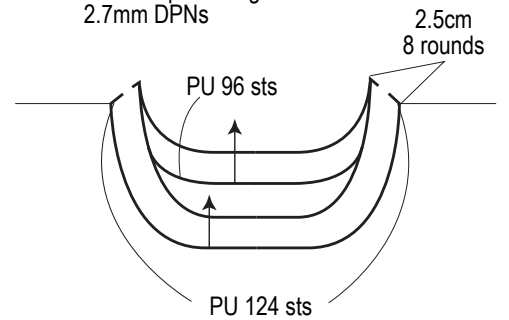
5 RE
7-1-1
4-1-1
5-1-2
3-1-3
2-1-1
3-1-1
1-1-1
2-1-2
1-1-1
2-1-1
1-1-8
2-4-1

Sleeve

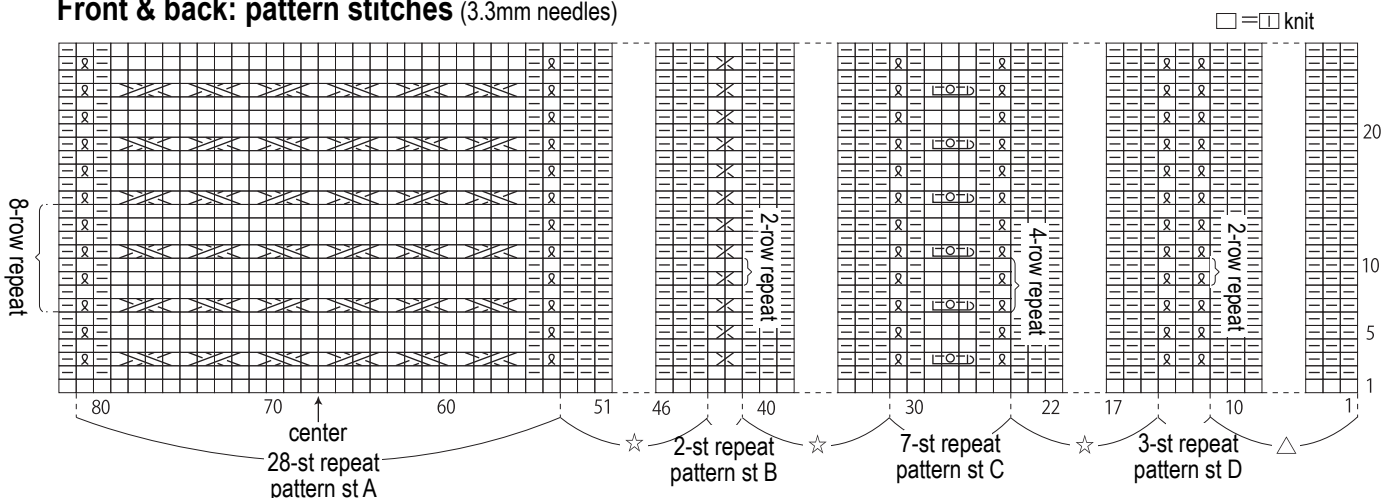


Finishing

collar: k1p1 ribbing
2.7mm DPNs

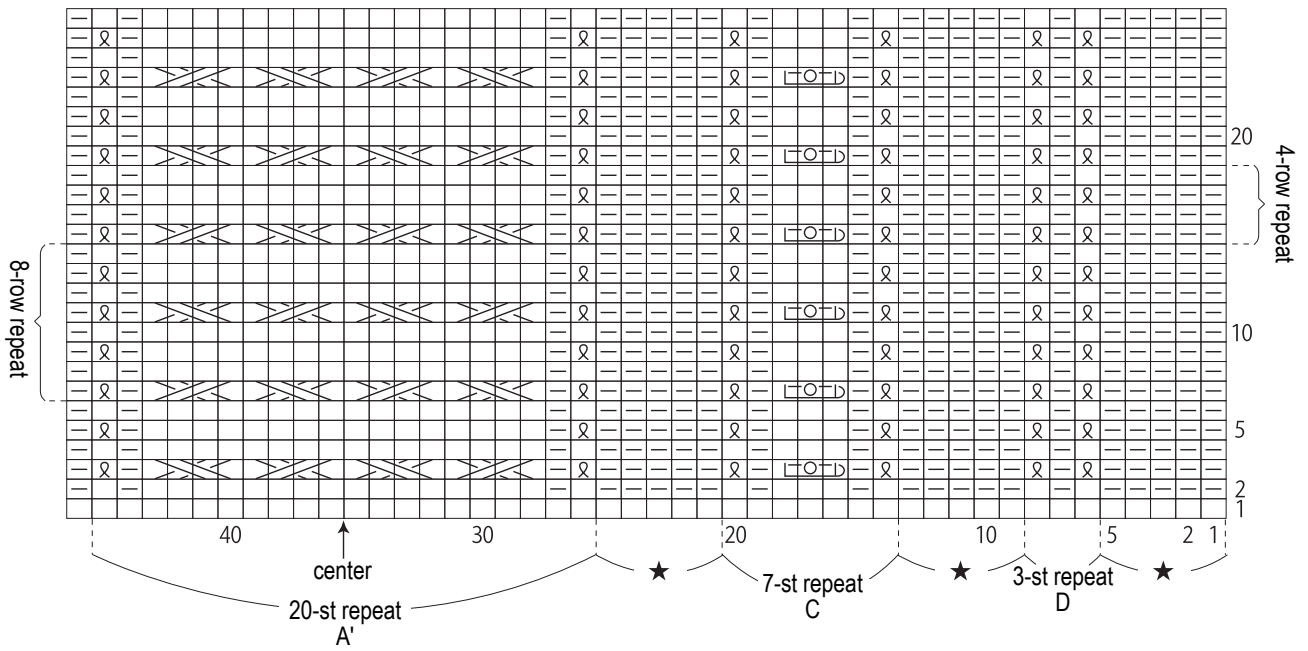


Front & back: pattern stitches (3.3mm needles)



Sleeve: pattern stitch (3.3mm needles)

□ = □ knit



LOD instructions

Pass over.

Insert R needle into third stitch on L needle. Slip third stitch over first two (① and ②).

Knit ① stitch, then YO.

Knit ② stitch.