

211-34h Stylish Diamonds Sweater



Suggested yarn:

- Pierrot Yarns Sawayaka Cotton [100% cotton; 416 yds/380m per 3.53 oz./100g cone]; color #25 spring green, 4 cones [400g]

Tools/Notions:

- 3.9mm (approx. US 6) and 4.5mm (US 7) knitting needles or sizes necessary to achieve gauge
- 3.3mm (approx. US 3), 3.6mm (approx. US 4 or 5) and 3.9mm (approx. US 6) double-pointed knitting needles or sizes necessary to achieve gauge

Finished measurements:

- bust 92cm/36.22"
- cross back width 36cm/14.17"
- length 58cm/22.83"
- sleeve length 28cm/11.02"

Gauge (10cm/4" square):

- pattern stitch: 24 sts and 28 rows

Gauge may vary according to individual knitting style. Change needle size if necessary to achieve gauge. Alternatively, rework pattern with your own gauge measurements.

Knitting Tips

※Entire garment worked with 2 strands of yarn held together.

Body: Cast on with crochet provisional cast-on method. Work in pattern stitch: 3-st knot, 1-st purl cable, and openwork. Shape waist using decreases (k2tog and ssk) and increases (fully fashioned lifted increases worked 1 stitch in from the edge). Shape front and back neckline by binding off stitches, placing stitches on hold, and working fully fashioned decreases (1 stitch in from the edge) as indicated. Pick up live stitches from provisional cast-on edge at hem; work evenly spaced decreases in first row of edging. Bind off with tubular bind-off method.

Sleeve: Cast on as for body. Increase at sleeve edges using fully fashioned increases (1 stitch in from the edge) as for the waist shaping. Bind off sleeve cap stitches.

Finishing: Seam shoulders with three-needle bind-off. Pick up stitches from neckline, being careful to continue pattern stitch at front center without interruption. Seam sides and sleeve undersides with mattress stitch. Seam sleeves to body with slip stitch.

Abbreviations:

BO = bind off

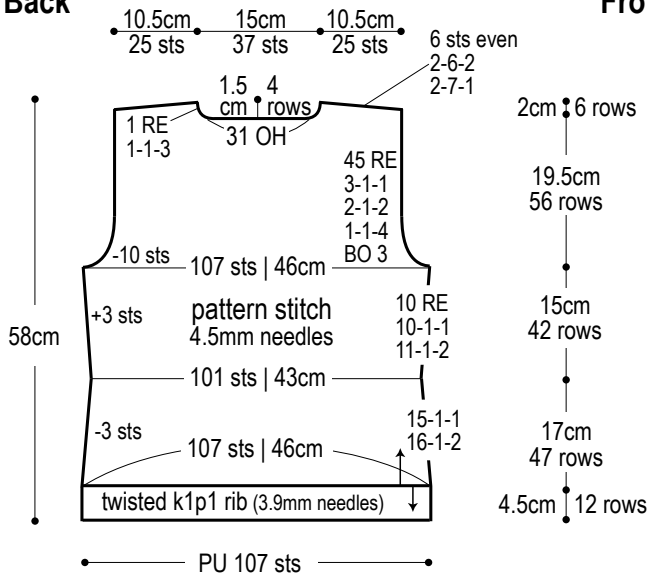
OH = on hold (i.e., place on stitch holder)

PU = pick up

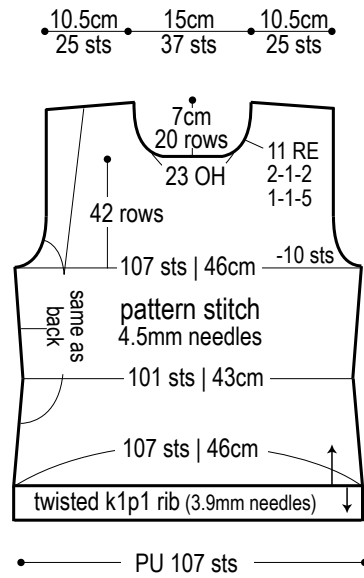
RE = row(s) even

= rows-stitches-times

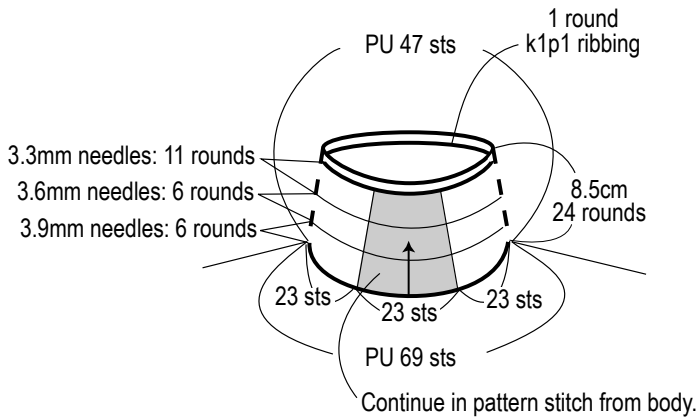
Back



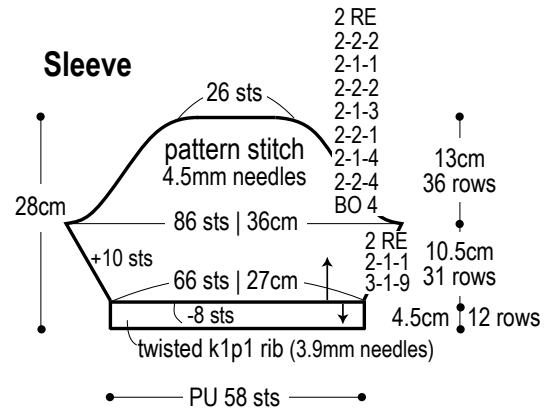
Front



Collar (twisted k1p1 ribbing)



Sleeve



Pattern stitch

