

# 212ss-21 Carta Pullover



## Suggested yarn:

- Pierrot Yarns Carta [90% cotton, 10% silk; 133 yds/122m per 1.41 oz./40g skein]; color #57 corn cream, 7 skeins [260g]

## Tools/Notions:

- 3.9mm (approx. US 6) and 4.5mm (US 7) straight knitting needles or sizes necessary to achieve gauge
- 3.9mm (approx. US 6) double-pointed knitting needles or sizes necessary to achieve gauge

## Finished measurements:

- bust 92cm/36.22"
- center back neck-to-cuff 70cm/27.56"
- length 58cm/22.83"

## Gauge (10cm/4" square):

- pattern stitch A: 21 sts and 27 rows
- k1p1 ribbing: 23 sts and 30 rows

*Gauge may vary according to individual knitting style. Change needle size if necessary to achieve gauge. Alternatively, rework pattern with your own gauge measurements.*

## Knitting Tips

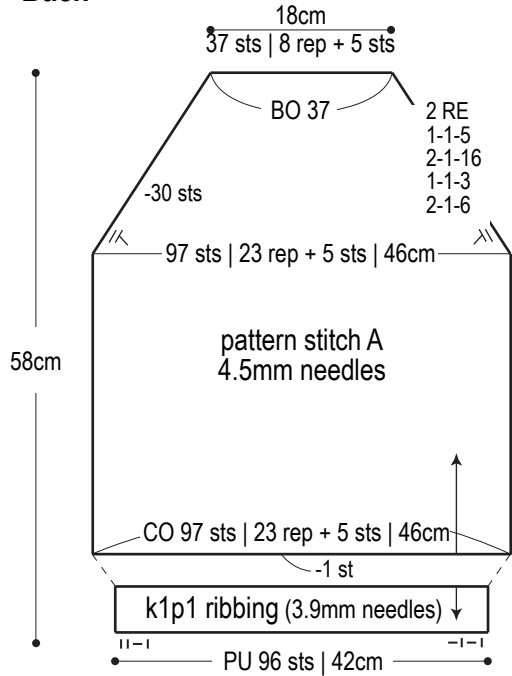
**Body & sleeves:** Cast on with crochet provisional cast-on method. Work back body and sleeves in pattern stitch A. Work front body in pattern stitches A and B. Shape raglan edge of sleeves by working fully fashioned decreases (2 stitches in from the edge). Reverse shaping for left sleeve. Pick up live stitches around hem and cuffs; work k1p1 ribbing. Bind off in pattern.

**Finishing:** Seam raglan edge, sides, and sleeve undersides with mattress stitch. Pick up stitches around neckline; work collar in k1p1 ribbing. Bind off in pattern as for hem.

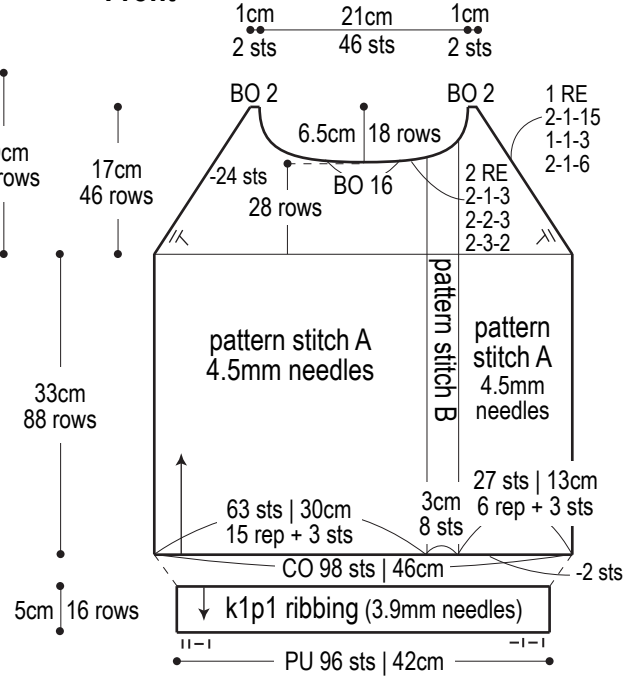
## Abbreviations:

BO = bind off  
CO = cast on  
PU = pick up  
RE = row(s) even  
rep = repeat(s)  
#-#-# = rows-stitches-times

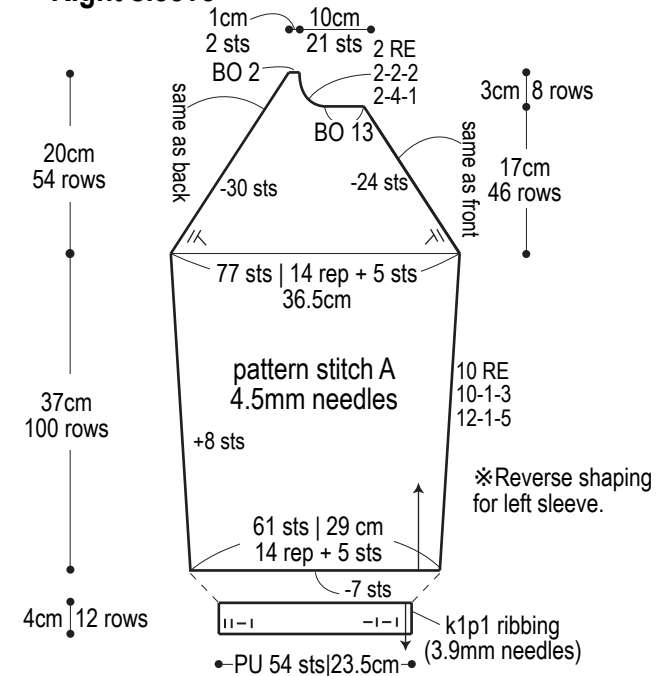
### Back



### Front

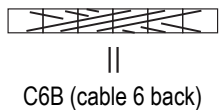
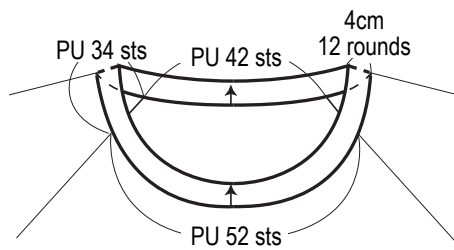


### Right sleeve

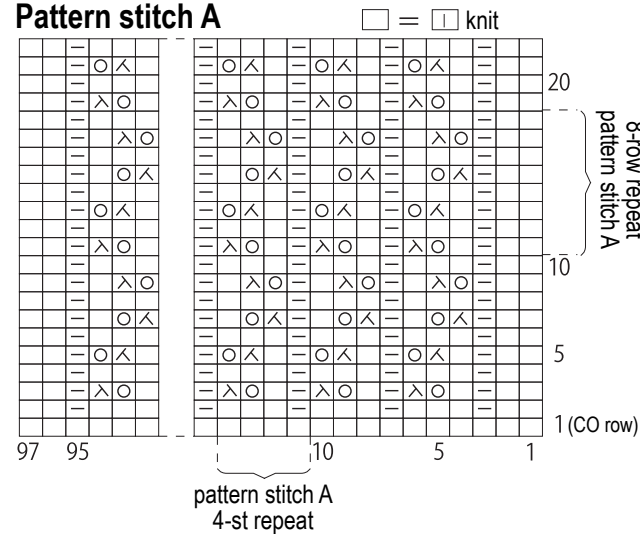


### Collar

k1p1 ribbing; 3.9mm DPNs



### Pattern stitch A



### Pattern stitch B

