

211s-29 Kids' French Sweater



Suggested yarn:

- Pierrot Yarns UV Cut Baby [100% UV-resistant cotton; 93 yds/85m per 0.88 oz./25g skein];
 - color #1 white, 4 skeins [80g]
 - color #2 light lemon yellow, 1 skein [20g]
 - color #3 baby pink, 1 skein [20g]
 - color #4 baby blue, 1 skein [20g]

Tools/Notions:

- 2.7mm (approx. US 2) and 3.3mm (approx. US 3) straight knitting needles or sizes necessary to achieve gauge
- 2.7mm (approx. US 2) double-pointed knitting needles or size necessary to achieve gauge

Finished measurements:

- chest 74cm/29.13"
- cross back width 42cm/16.54"
- length 40cm/15.75"

Gauge (10cm/4" square):

- stockinette stitch: 26 sts and 34rows

Gauge may vary according to individual knitting style. Change needle size if necessary to achieve gauge. Alternatively, rework pattern with your own gauge measurements.

Knitting Tips

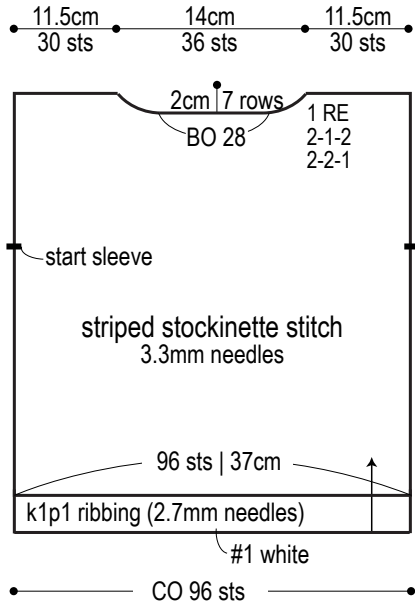
Back and front: Cast on with long-tail cast-on method. Work in k1p1 ribbing, then continue in striped stockinette stitch.

Finishing: Seam shoulders with slip stitch. Seam sides up to sleeve area with mattress stitch. Pick up stitches around neckline and armholes; work k1p1 ribbing in the round. Bind off in pattern.

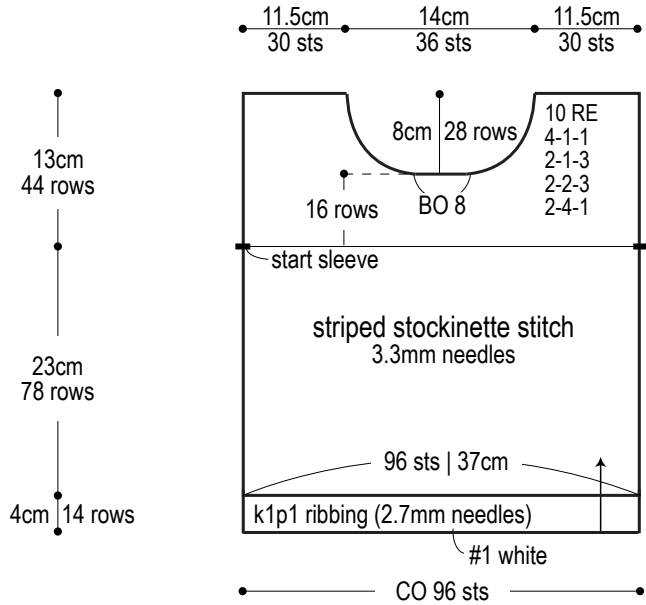
Abbreviations:

- BO = bind off
- CO = cast on
- PU = pick up
- RE = row(s) even
- ### = rows-stitches-times

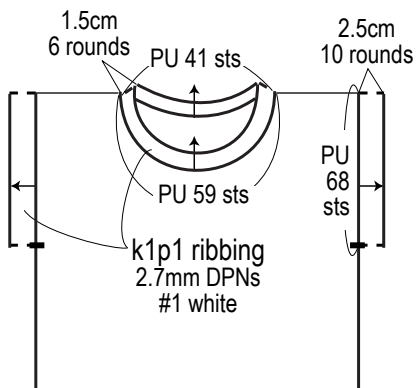
Back



Front



Collar & cuffs



Striped stockinette color sequence

