

211w-17 Shine Merino Pullover



Suggested yarn:

- Pierrot Yarns Shine Merino [95% merino, 3% polyester, 2% cupra rayon; 131 yds/120m per 1.41 oz./40g skein]; color #01 ivory, 9 skeins [330g]

Tools/Notions:

- 3.3mm (approx. US 3), 3.6mm (approx. US 4 or 5), and 3.9mm (approx. US 6) knitting needles or sizes necessary to achieve gauge
- 3.0mm (approx. US C or D) crochet hook or size necessary to achieve gauge
- 2 buttons (15mm/0.59")

Finished measurements:

- bust 92cm/36.22"
- cross back width 36cm/14.17"
- length 55cm/21.65"
- sleeve length 54cm/21.26"

Gauge (10cm/4" square):

- stockinette stitch: 22 sts and 29 rows
- pattern stitch (with 3.9mm needles): 27 sts and 29 rows

Gauge may vary according to individual knitting style. Change needle size if necessary to achieve gauge. Alternatively, rework pattern with your own gauge measurements.

Knitting Tips

Back and front: Cast on with crochet provisional cast-on method. Work in pattern stitch, then stockinette stitch, and then in pattern stitch again. On back only, bind off one stitch at center for neck slit, then work right and left sides separately.

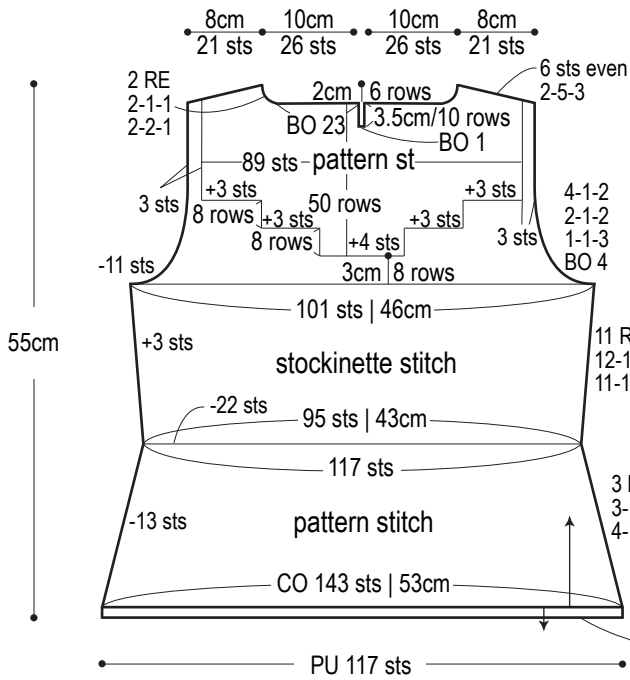
Sleeves & collar: Cast on with crochet provisional cast-on method. Work in pattern stitch. Change needle size, then resume working in pattern stitch. Pick up live stitches from provisional cast-on edge at hem, cuffs, and neckline. Work in garter stitch.

Finishing: Seam shoulders with slip stitch. Seam sides and sleeve undersides with mattress stitch. Place collar along front/back neckline with wrong sides facing each other; seam collar in place with backstitch. Work 1 row of single crochet (US) along back neck slit, and also work button loops. Attach buttons. Seam sleeves to body with slip stitch.

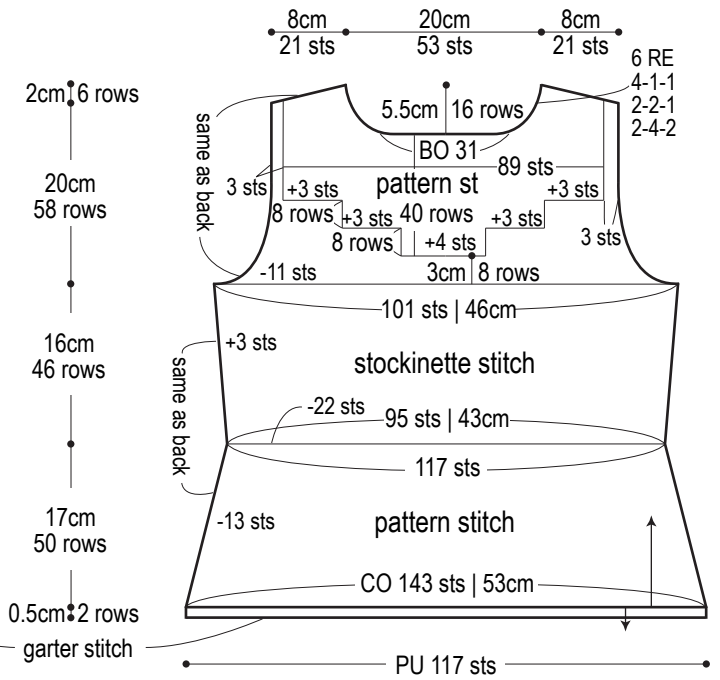
Abbreviations:

BO = bind off
CO = cast on
PU = pick up
RE = row(s) even
= rows-stitches-times

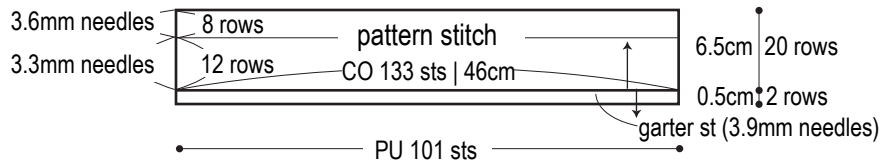
Back (3.9mm needles)



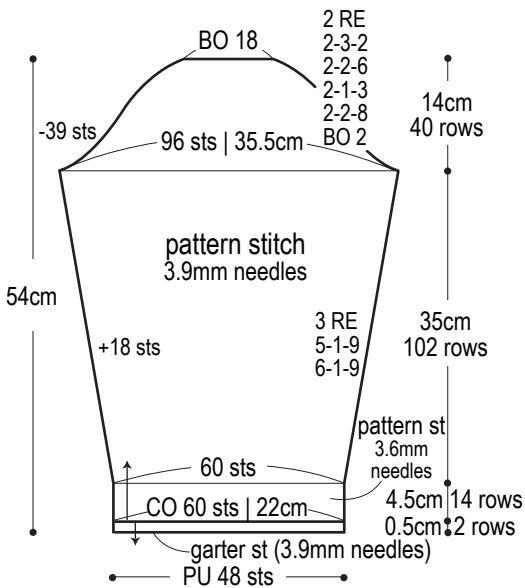
Front (3.9mm needles)



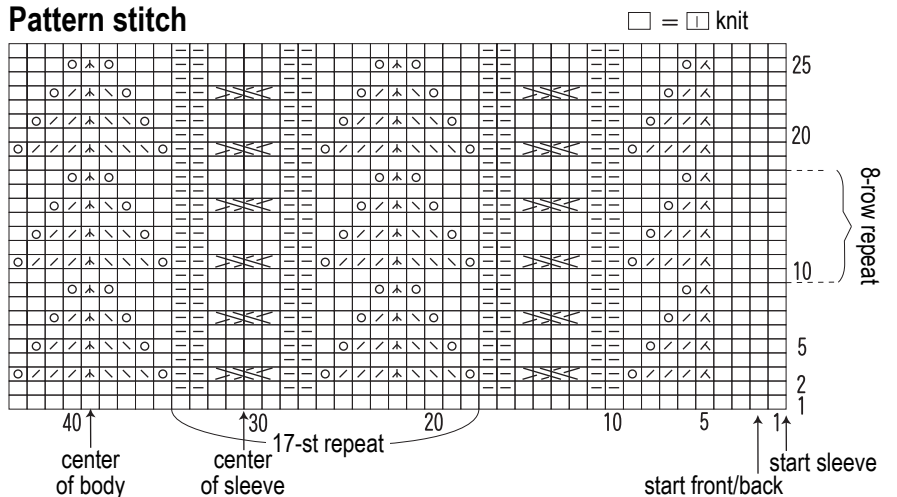
Collar (change needle size as shown to adjust gauge)



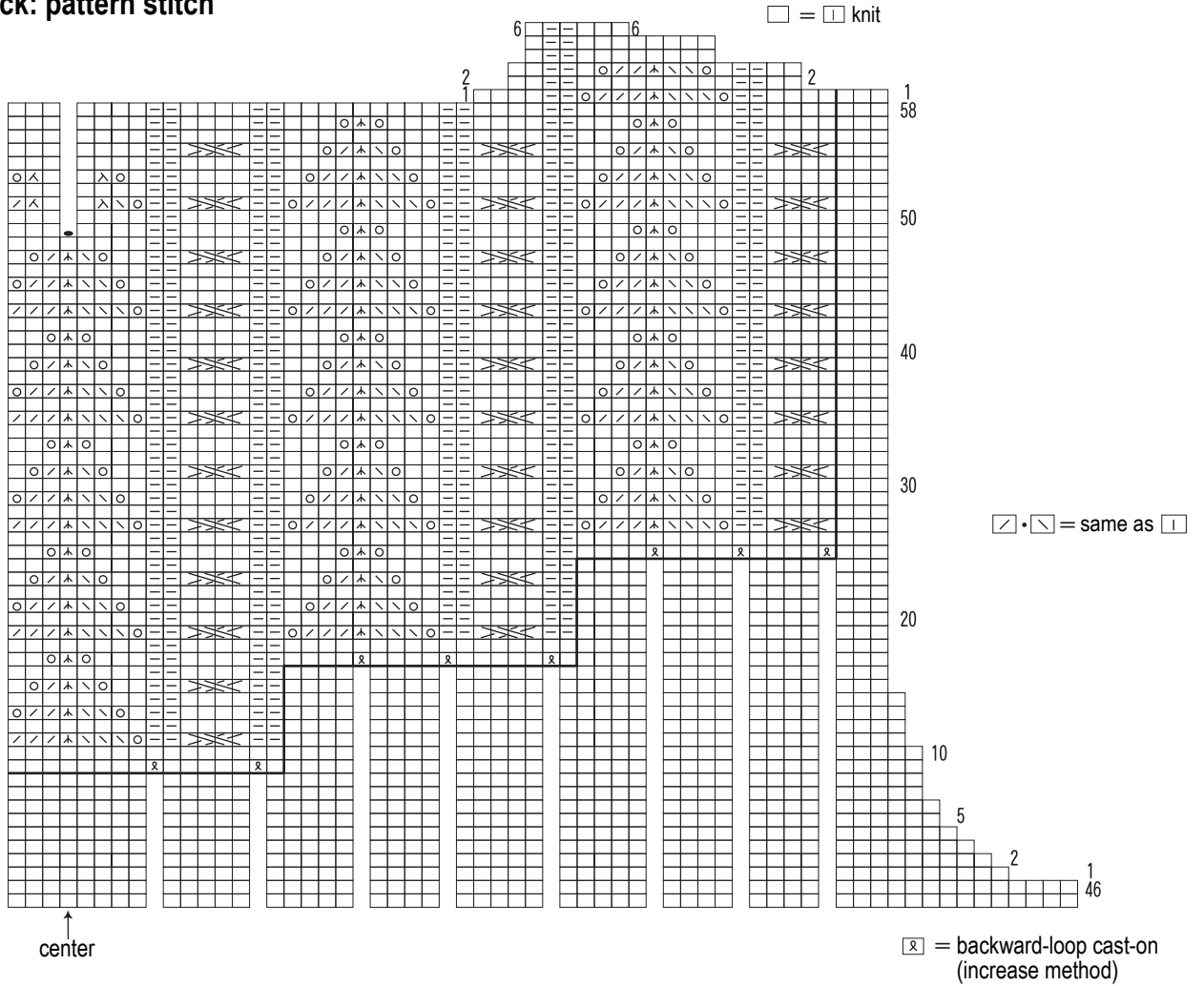
Sleeve



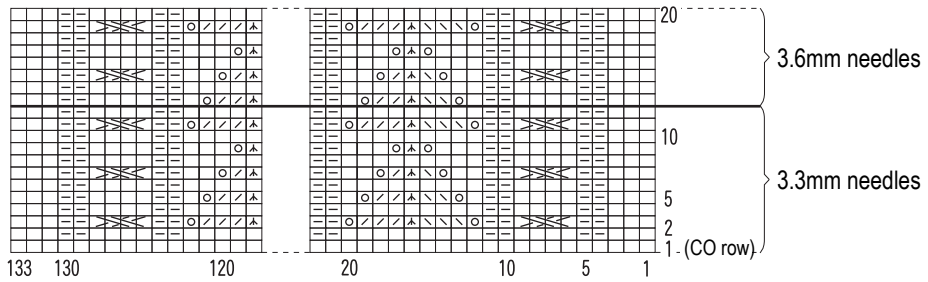
Pattern stitch



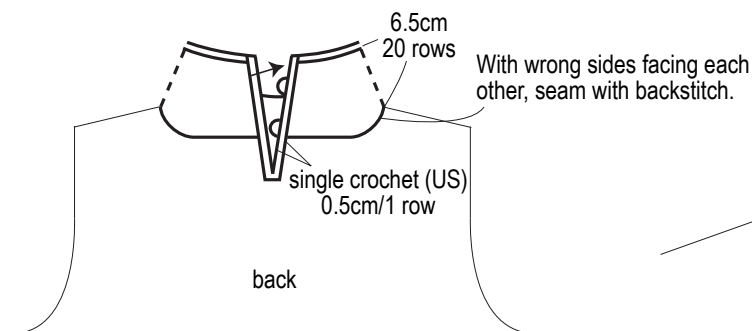
Back: pattern stitch



Collar: pattern stitch (3.3mm & 3.6mm needles)



Collar & back neck slit



Back neck buttonholes (3.0mm hook)

