

211F-15 Dramatic Impression Pullover



Suggested yarn:

- Pierrot Yarns Cutie Mohair [30% nylon, 28% mohair, 28% acrylic, 14% superwash wool; 339 yds/310m per 0.88 oz./25g skein]; color #38 turquoise blue, 6 skeins [140g]

Tools/Notions:

- 3.0mm (US 2½) and 3.6mm (approx. US 4 or 5) knitting needles or sizes necessary to achieve gauge
- 3.0mm (US 2½) circular or double-pointed knitting needles or size necessary to achieve gauge
- cable needle

Finished measurements:

- bust 88cm/34.65"
- cross back width 35cm/13.78"
- length 55cm/21.65"
- sleeve length 53cm/20.87"

Gauge (10cm/4" square):

- pattern stitch A: 29 sts and 35 rows

Gauge may vary according to individual knitting style. Change needle size if necessary to achieve gauge. Alternatively, rework pattern with your own gauge measurements.

Knitting Tips

※Entire garment worked with yarn held doubled.

Back and front body and sleeves: Cast on with long-tail cast-on method. Work in k2p2 ribbing, then pattern stitch A. For front body and sleeves, work pattern stitch B where indicated.

Finishing: Seam shoulders with slip stitch. Seam sides and sleeve undersides with mattress stitch. Pick up stitches along neckline, then work collar in the round in k2p2 ribbing. Bind off loosely in pattern. Seam sleeves to body with slip stitch.

Abbreviations:

BO = bind off

CO = cast on

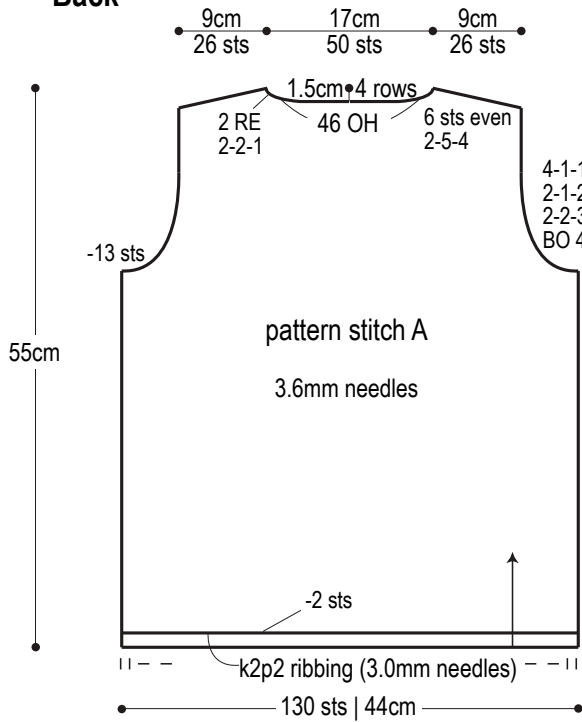
OH = on hold (i.e., place on stitch holder)

PU = pick up

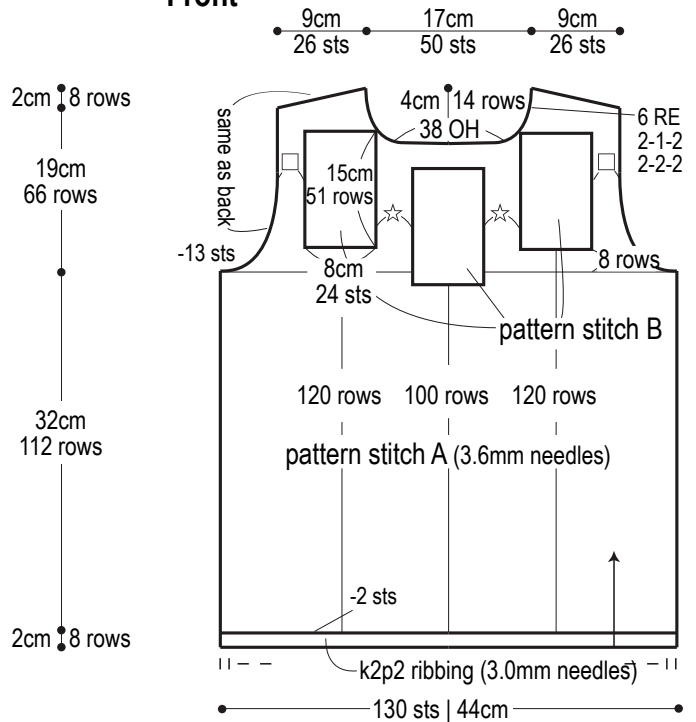
RE = row(s) even

= rows-stitches-times

Back



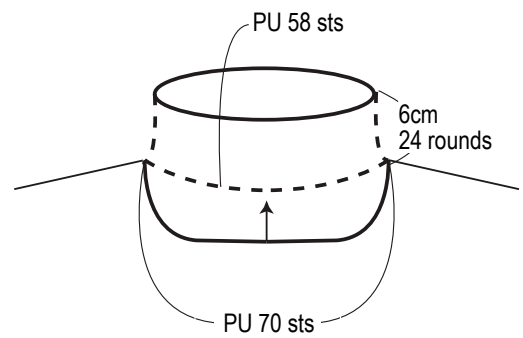
Front



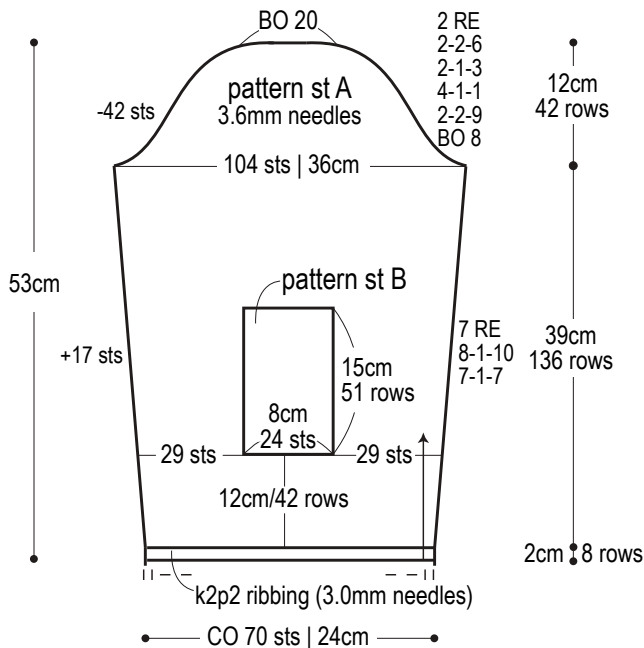
□ = 7 sts
☆ = 8 sts

Collar (k2p2 ribbing)

3.0mm double-pointed needles

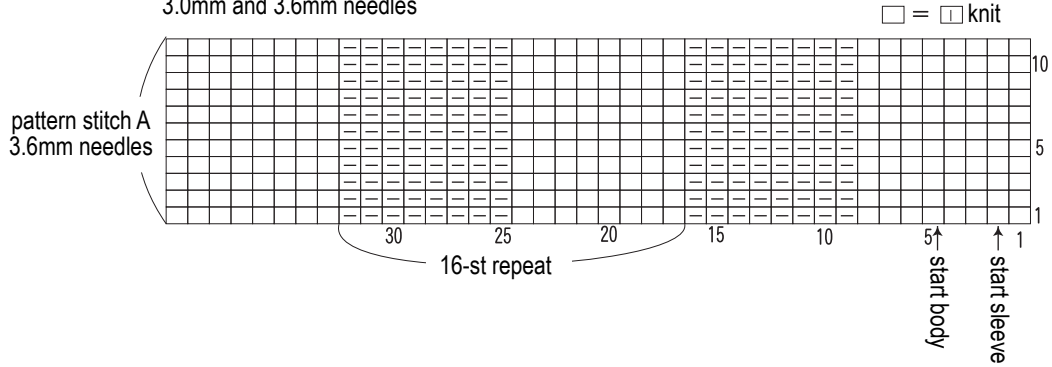


Sleeve



k2p2 ribbing & pattern stitch A

3.0mm and 3.6mm needles



Pattern stitch B (front body)

