

24-19 Atoll Sweater



Suggested yarn:

- Pierrot Yarns Atoll Cotton 100 [100% cotton; 131 yds/120m per 1.41 oz./40g skein]; color #1 white, 6 skeins [230g] - *discontinued; please choose appropriate substitute*

Tools/Notions:

- 2.7mm (approx. US 2) and 3.0mm (US 2½) knitting needles or sizes necessary to achieve gauge
- 2.3mm (approx. US ??) crochet hook or size necessary to achieve gauge

Finished measurements:

- bust 92cm/36.22"
- cross back width 35cm/13.78"
- length 56cm/22.05"
- sleeve length 19cm/7.48"

Gauge (10cm/4" square):

- pattern stitch: 26 sts and 38 rows

Gauge may vary according to individual knitting style. Change needle size if necessary to achieve gauge. Alternatively, rework pattern with your own gauge measurements.

Knitting Tips

Body: Cast on with 1x1 tubular cast-on method. Work in pattern stitch according to schematics. Shape waist by decreasing (k2tog or ssk) at edges and then by increasing with lifted increases. Shape neckline by binding off stitches and working decreases as indicated. Shape shoulders with short rows, then knit collar (increasing with backwards-loop cast-on where indicated). Bind off in pattern.

Sleeves: Cast on as for body. Shape sleeve seam edges and sleeve cap with increases and decreases as shown.

Finishing: Seam shoulders with three-needle bind-off. Seam sides and sleeve undersides with mattress stitch. Also seam sides of collar with mattress stitch. Crochet one round of edging around collar edge. Seam sleeves to body with slip stitch.

Abbreviations:

BO = bind off

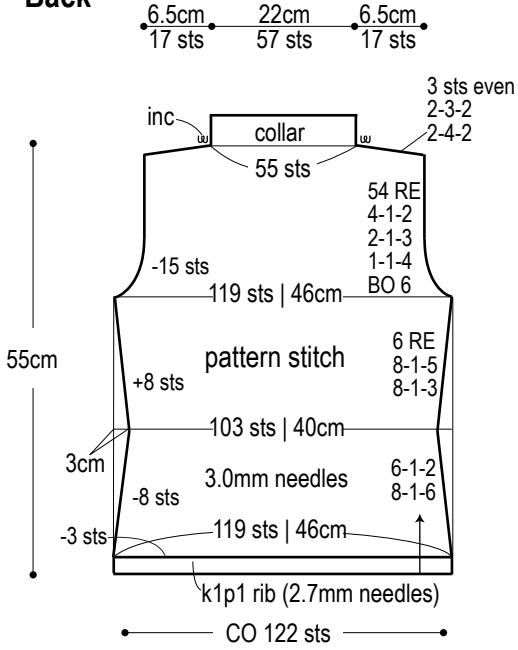
CO = cast on

inc = increase (using backwards-loop cast-on)

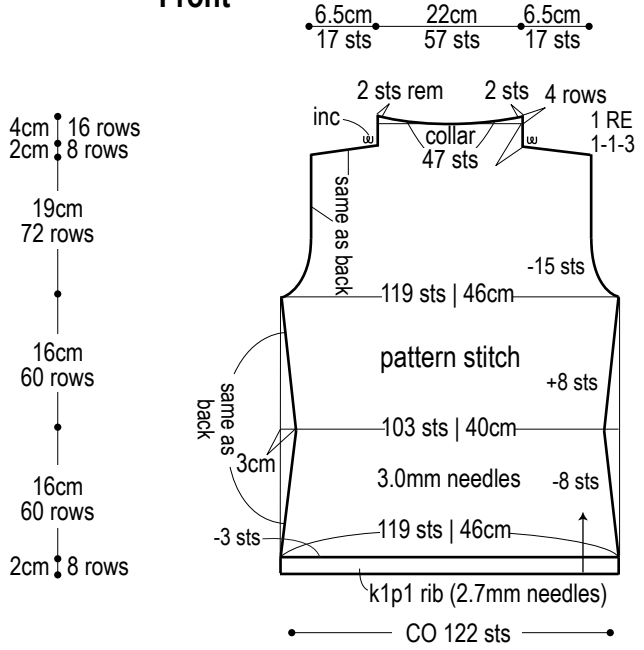
RE = row(s) even

= rows-stitches-times

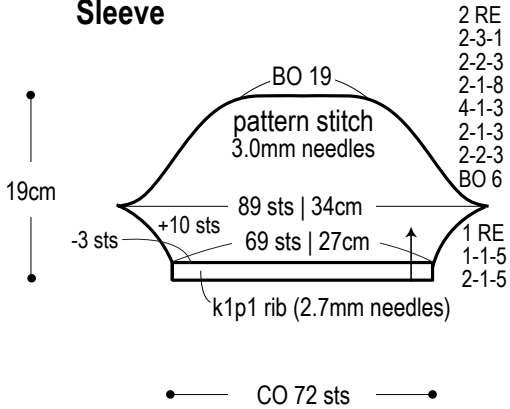
Back



Front



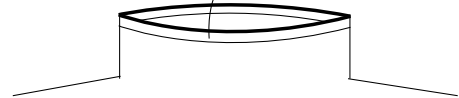
Sleeve



Collar (pattern stitch)

2.3mm hook

Crochet 1 round of slip stitch around collar.



Pattern stitch

□ = □ knit

