

26-27-3 Chic Sweater



Suggested yarn:

- Pierrot Yarns Herb Rainbow [97% wool, 3% polyester; 77 yds/70m per 1.34 oz./38g skein]; color #3, 12 skeins [450g] - *discontinued*; *Shine Merino is suggested as a substitute*

Tools/Notions:

- 4.5mm (US 7) knitting needles or size necessary to achieve gauge
- 3.9mm (approx. US 6) circular or double-pointed knitting needles or size necessary to achieve gauge

Finished measurements:

- bust 96cm/37.80"
- cross back width 35cm/13.78"
- length 58cm/22.83"
- sleeve length 54.5cm/21.46"

Gauge (10cm/4" square):

- stockinette stitch: 19 sts and 26 rows
- pattern stitch: 21 sts and 24 rows
- k3p3 ribbing: 18 sts and 26 rows

Gauge may vary according to individual knitting style. Change needle size if necessary to achieve gauge. Alternatively, rework pattern with your own gauge measurements.

Knitting Tips

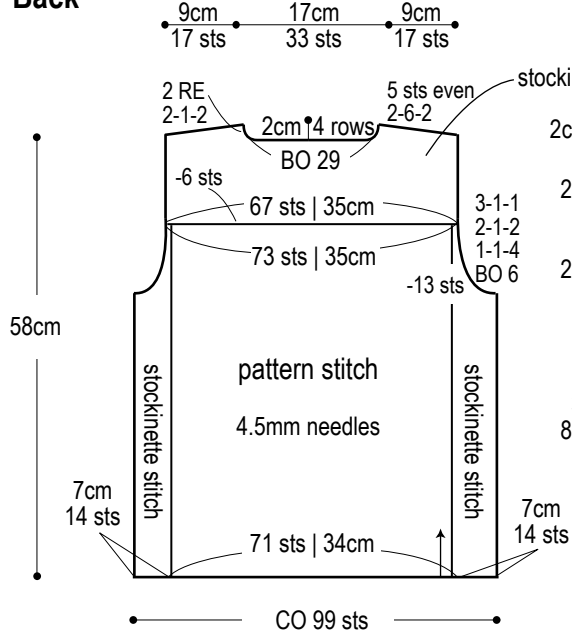
Body & sleeves: Cast on with long-tail cast-on method. Work in k3p3 ribbing, pattern stitch, and stockinette stitch according to schematics. Shape armscye and neckline by binding off stitches where indicated and by working decreases at the edges. Shape shoulders with short rows. Shape sleeve edges with lifted increase. Bind off stitches at sleeve cap.

Finishing: Seam shoulders with slip stitch. Seam sides and sleeve undersides with mattress stitch. Pick up stitches around neckline with circular needle; work k1p1 ribbing, then bind off with 1x1 tubular bind-off. Seam sleeves to body with slip stitch.

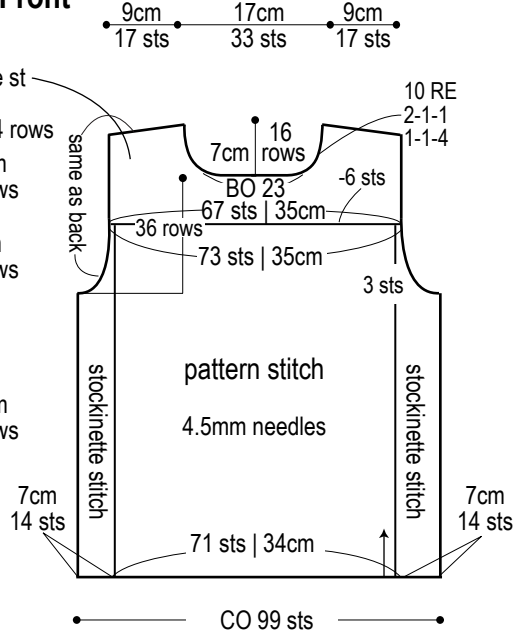
Abbreviations:

BO = bind off
CO = cast on
RE = row(s) even
= rows-stitches-times

Back

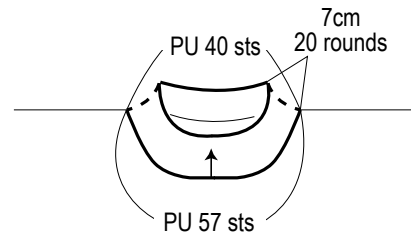


Front

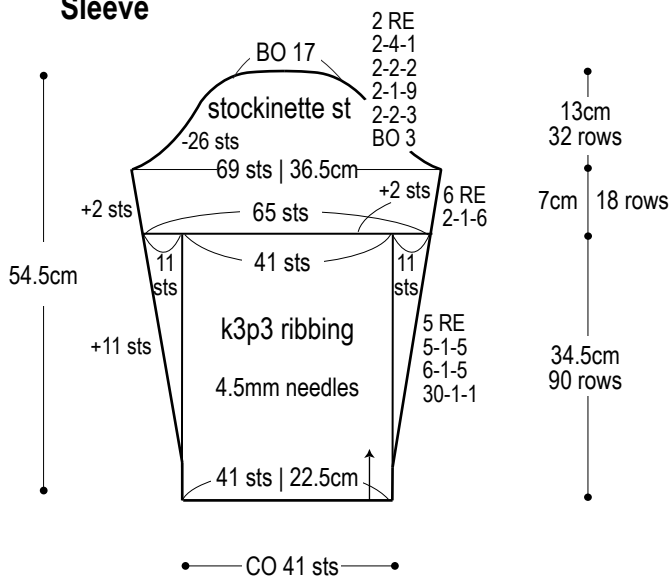


Collar

k1p1 ribbing, 3.9mm needles

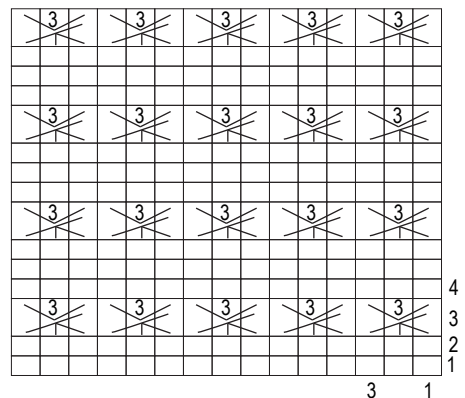


Sleeve



Pattern stitch

□ = □ knit



Sleeve: k3p3 ribbing

□ = □ purl

