

# 21-9 Tape Yarn Sweater



## Suggested yarn:

- Pierrot Yarns Colorful Tape [100% polyester; 547 yds/500m per 3.53 oz./100g cone]; color #5142, 3 cones [260g] - *discontinued; please choose appropriate substitute*

## Tools/Notions:

- 3.6mm (approx. US 4 or 5) knitting needles or size necessary to achieve gauge
- 2.5mm (approx. US B or C) crochet hook or size necessary to achieve gauge

## Finished measurements:

- bust 98cm/38.58"
- center back neck-to-cuff 26.5cm/10.43"
- length 54cm/21.26"

## Gauge (10cm/4" square):

- pattern stitch: 28 sts and 38 rows

*Gauge may vary according to individual knitting style. Change needle size if necessary to achieve gauge. Alternatively, rework pattern with your own gauge measurements.*

## Knitting Tips

**Body:** Cast on with crochet provisional cast-on method. Work in pattern stitch according to schematic. Shape sides using fully fashioned lifted increases. Shape neckline as follows: if decreasing 2 or more stitches, bind them off; otherwise decrease 1 stitch at edge (k2tog or ssk). Shape shoulders with short rows.

**Finishing:** Seam shoulders with slip stitch. Seam sides with mattress stitch. Work 5 rounds of edging at neckline and cuffs. Pick up live stitches from provisional cast-on edge at hem and work 1 round of edging.

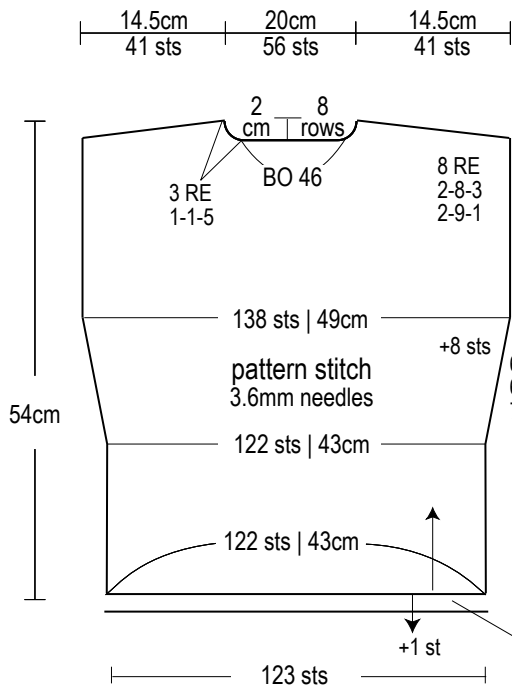
## Abbreviations:

BO = bind off

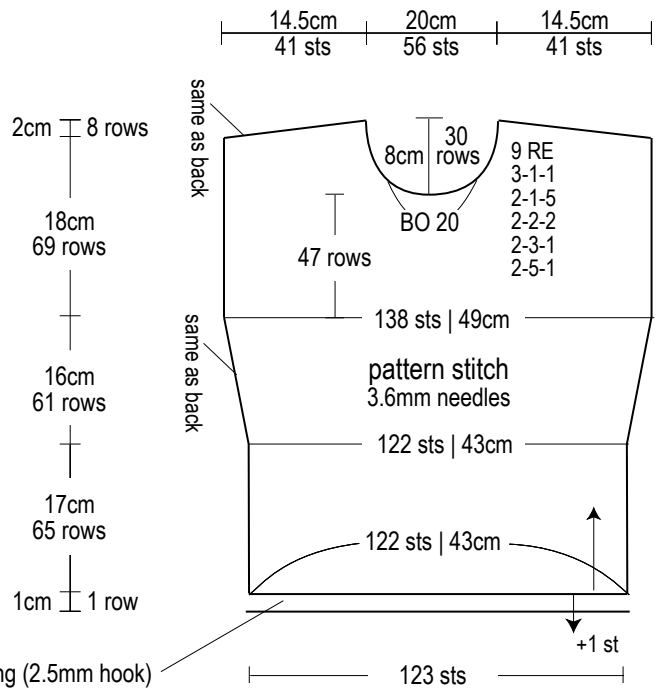
RE = row(s) even

### = rows-stitches-times

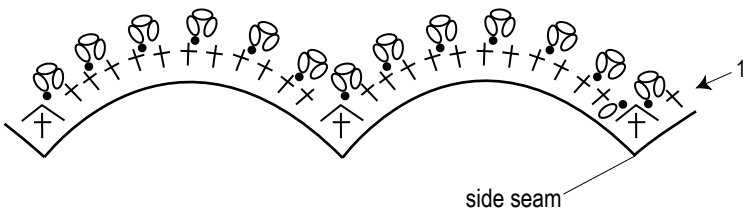
### Back



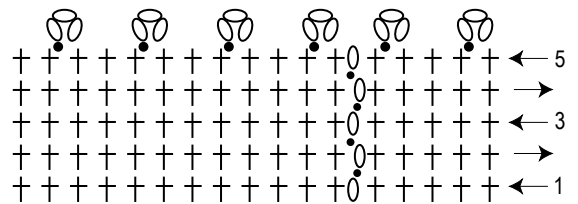
### Front



### Hem edging (2.5mm hook)

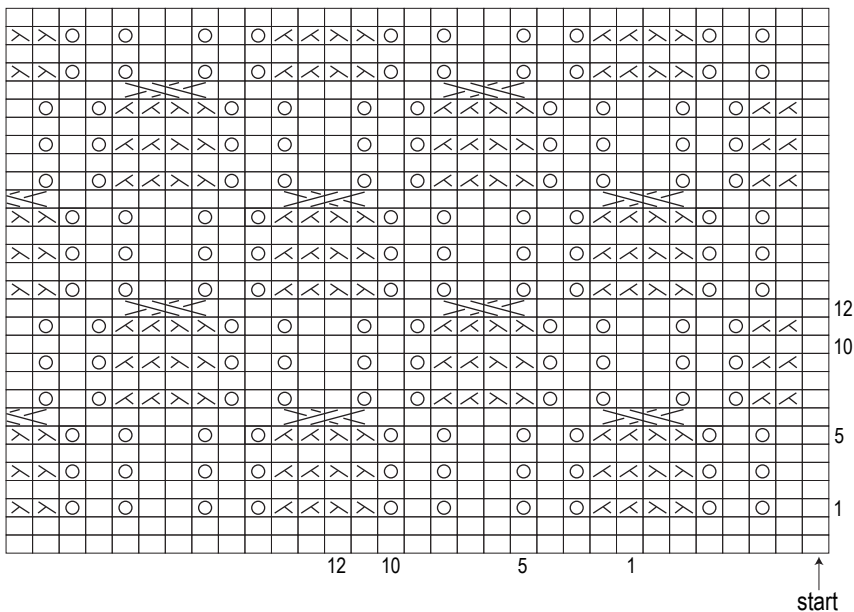


### Collar & cuff edging (2.5mm hook)



### Pattern stitch

□ = □ knit



### Collar & cuff edging (2.5mm hook)

