

24-8 Diamond Lace Pullover



Suggested yarn:

- Pierrot Yarns Cotton Rayon [60% rayon, 40% cotton; 547 yds/500m per 3.53 oz./100g cone]; color #5 green, 4 cones [370g] - discontinued; please choose appropriate substitute

Tools/Notions:

- 3.0mm (US 2½) and 3.3mm (approx. US 3) straight knitting needles or sizes necessary to achieve gauge
- 3.0mm (US 2½) circular knitting needle or size necessary to achieve gauge

Finished measurements:

- bust 90cm/35.43"
- cross back width 40cm/15.75"
- length 58cm/22.83"
- sleeve length 42cm/16.54"

Gauge (10cm/4" square):

- pattern stitch: 22 sts and 35 rows

Gauge may vary according to individual knitting style. Change needle size if necessary to achieve gauge. Alternatively, rework pattern with your own gauge measurements.

Knitting Tips

※Entire garment worked with two strands of yarn held together.

Body and sleeves: Cast on with crochet provisional cast-on method and work in pattern stitch. Place stitches on hold at armhole. For front neckline, place one stitch at center on hold (that is, on a stitch holder), and bind the rest of the neckline stitches off. Begin sleeves as for body. Work increases at edges of sleeve using lifted increases. Mark each edge with waste yarn (or a stitch marker) where the sleeve will be seamed to the armhole later.

Finishing: Pick up live stitches from provisional cast-on edge at hem and cuffs. Work edging at hem and cuffs in k1p1 ribbing, then stockinette stitch. Bind off with slip stitch. The hem should roll up by itself. Seam shoulders with three-needle bind-off. Seam sleeves to body with rows-to-stitches mattress stitch. Seam sides and sleeve undersides with mattress stitch. Work collar like the hem, but at center of V neck on right front, work centered double decreases (sl2, k1, p2sso).

Abbreviations:

BO = bind off

OH = on hold (i.e., place on stitch holder)

p2sso = pass 2 slipped stitches over the stitch just worked

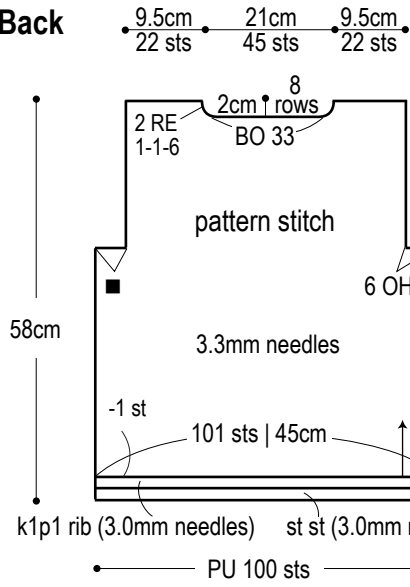
PU = pick up

RE = row(s) even

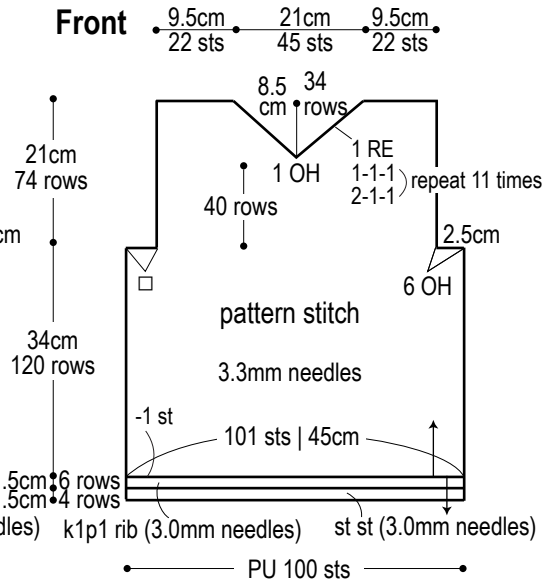
sl = slip

= rows-stitches-times

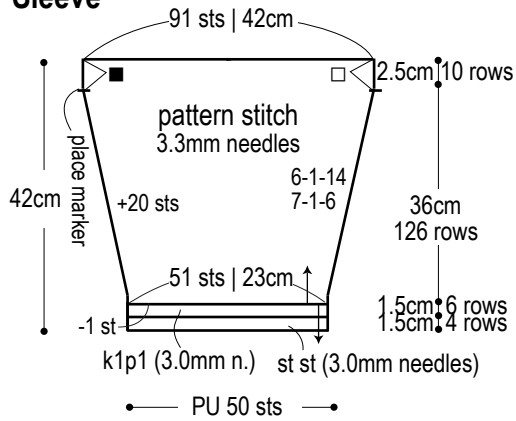
Back



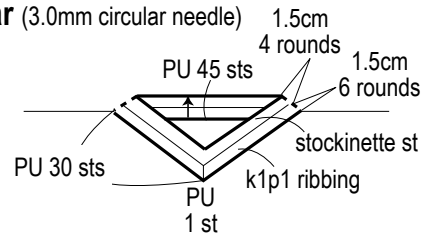
Front



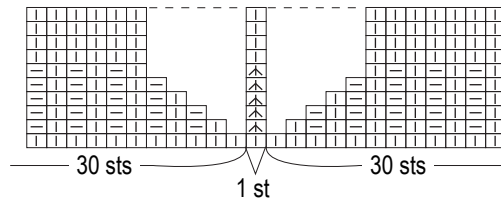
Sleeve



Collar (3.0mm circular needle)



V-neck center decreases



Pattern stitch

