

# 24-25-4 Cabled Cardigan



## Suggested yarn:

- Pierrot Yarns Junmo Namibuto2 [100% superwash wool; 79 yds/72m per 1.41 oz./40g skein]; color #20 deep red, 13 skeins [500g]

## Tools/Notions:

- 3.9mm (approx. US 7), 4.2mm (approx. US 7), and 4.5mm (US 8) knitting needles or sizes necessary to achieve gauge
- 4 buttons (20mm/0.79")

## Finished measurements:

- bust 98cm/38.58"
- cross back width 36cm/14.17"
- length 58cm/22.83"
- sleeve length 54cm/21.26"

## Gauge (10cm/4" square):

- pattern stitch: 21 sts and 25 rows

*Gauge may vary according to individual knitting style. Change needle size if necessary to achieve gauge. Alternatively, rework pattern with your own gauge measurements.*

## Knitting Tips

**Body:** Cast on with long-tail cast-on method and begin working in pattern stitches A and B. Refer to schematics to know when to switch from pattern stitch A to pattern stitch B. Shape armscyes and neckline by binding off stitches where indicated and by decreasing. Shape shoulders with short rows.

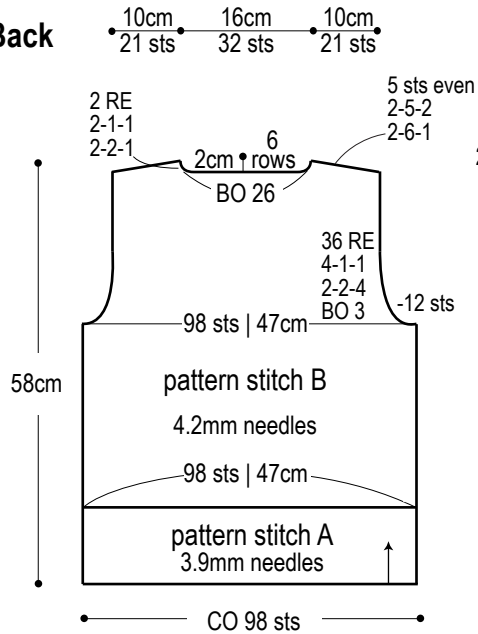
**Sleeves:** Begin as for body. Work fully fashioned increases (1 stitch in from the edge) at sleeve edges using lifted increase. Bind off last row in pattern.

**Finishing:** Seam shoulders with three-needle bind-off. Work front bands in k1p1 ribbing (work buttonholes into right front band as you go). Pick up stitches for collar from front band and from around neckline; work in pattern stitch C, adjusting gauge as indicated. Bind off while working decreases as indicated in schematic. Seam sleeves to body with slip stitch.

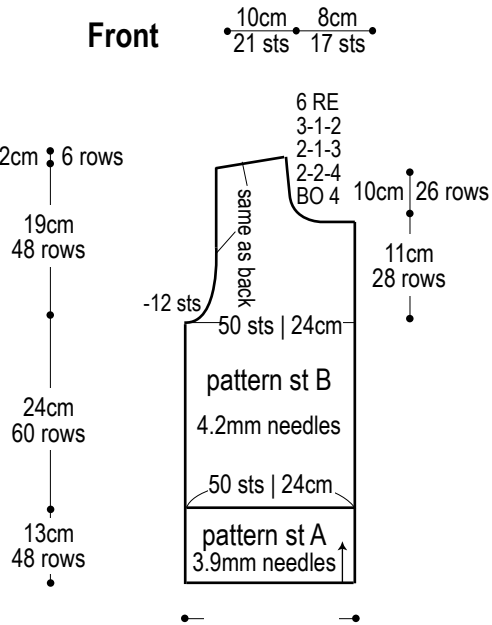
## Abbreviations:

BO = bind off  
CO = cast on  
PU = pick up  
RE = row(s) even  
### = rows-stitches-times

### Back

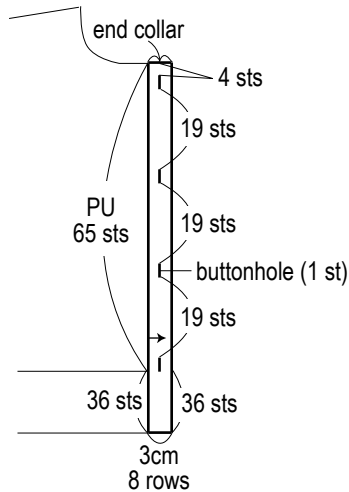


### Front

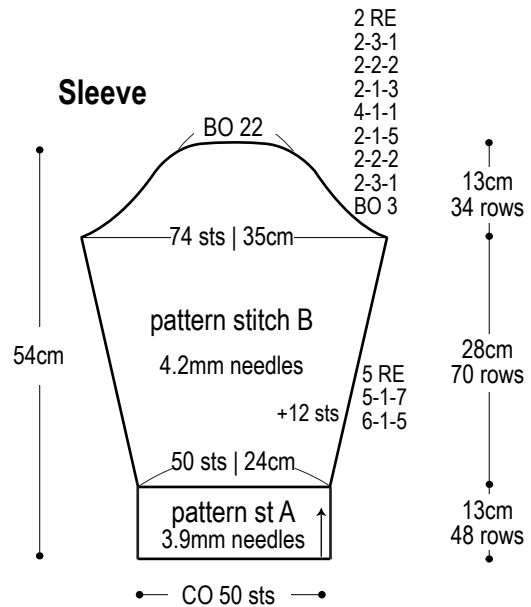


### Front band

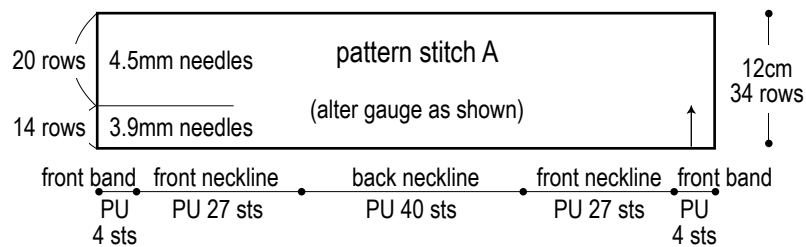
k1p1 ribbing (3.9mm needles)



### Sleeve

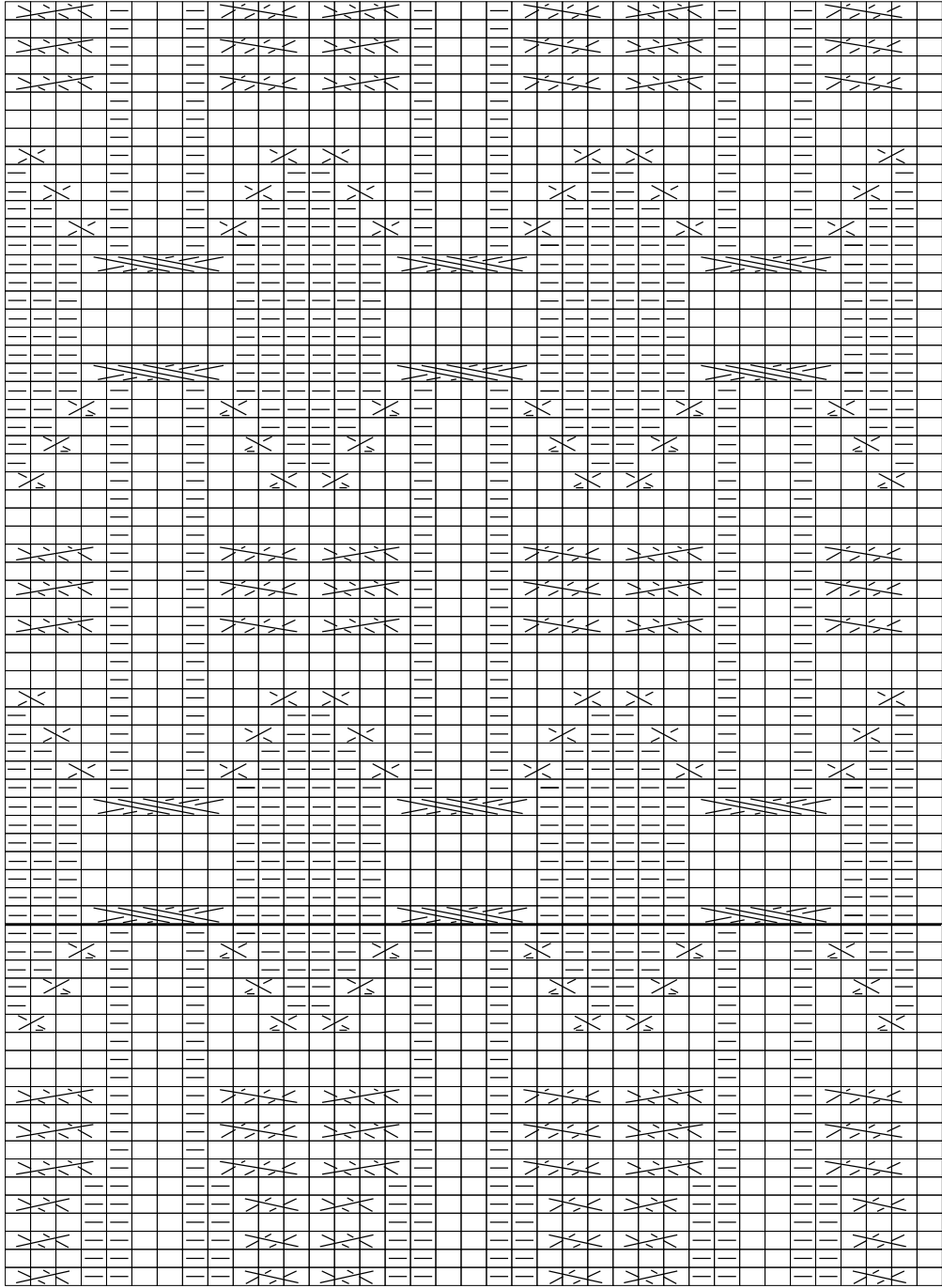


### Collar



**Pattern stitch & buttonholes**

□ = □ knit



30 pattern stitch B

20

10

1

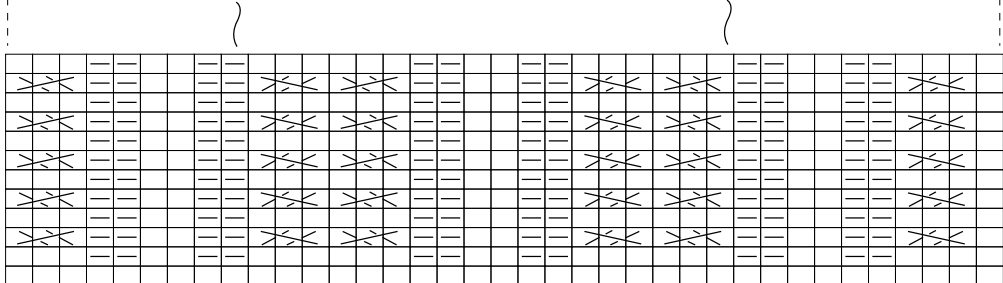
48

40

35

30

pattern stitch A



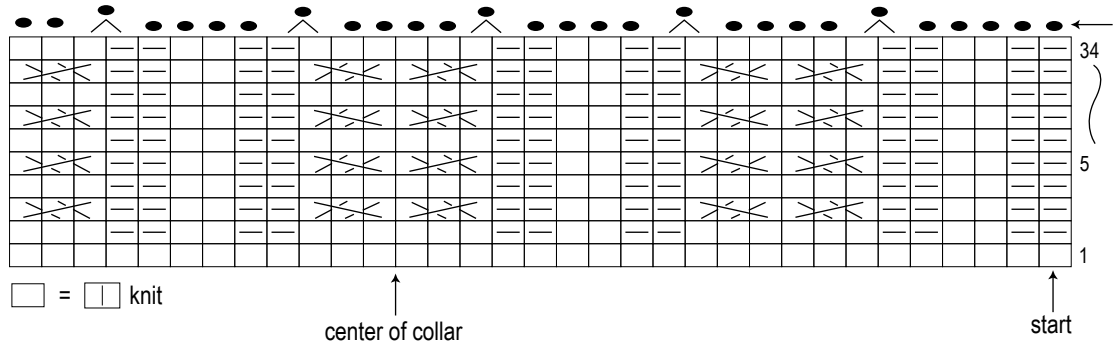
10

1

12 10 5 1

start back, right & left front, sleeve

### Collar (pattern stitch A)



### Buttonholes (right front band)

