

amicomo4-6 Ethnic Denim Summer Sweater



Suggested yarn:

- Pierrot Yarns Ethnic Denim [100% cotton; 122 yds/112m per 1.06 oz./30g skein]; color #57 emerald green, 5 skeins [135g]

Tools/Notions:

- 2.3mm (approx. US B) crochet hook or size necessary to achieve gauge

Finished measurements:

- bust 90cm/35.43"
- cross back width 49cm/19.29"
- center back neck-to-cuff 29.5cm/11.61"

Gauge (10cm/4" square):

- pattern stitch: 20 sts and 9.5 rows

Gauge may vary according to individual crochet style. Change hook size if necessary to achieve gauge. Alternatively, rework pattern with your own gauge measurements.

Crochet Tips

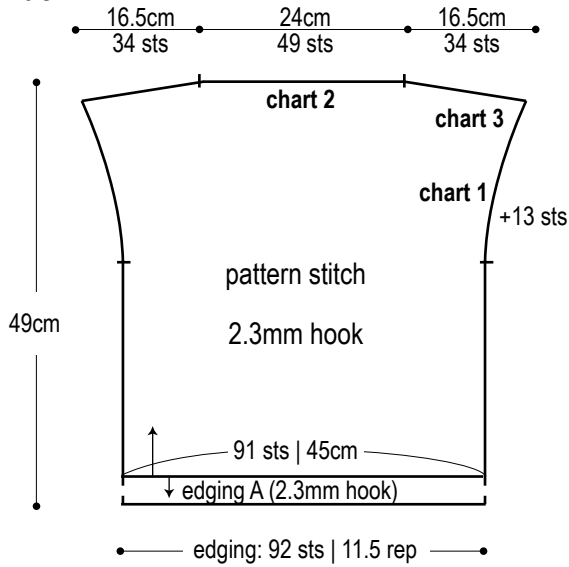
Body: Chain to cast on and, working into bottom loops of foundation chain, work in pattern stitch according to schematics.

Finishing: Seam shoulders and sides with alternating chain and single crochet (US) stitches. Work edging A around hem. Work edging B around neckline and cuffs.

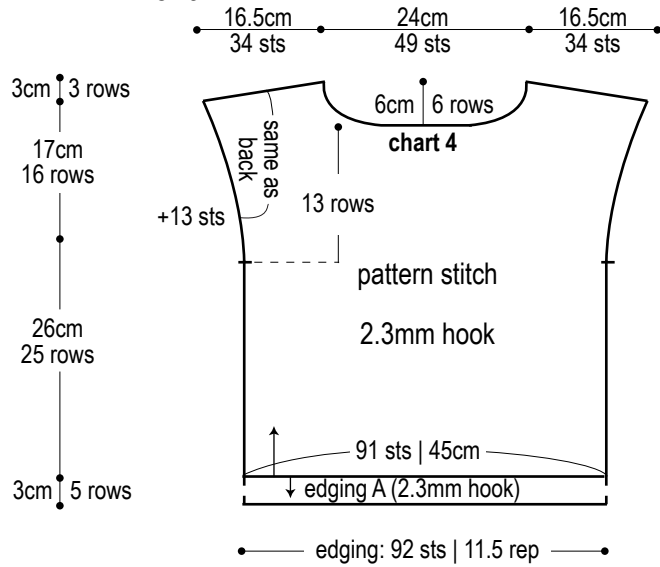
Abbreviations:

rep = pattern repeat(s)

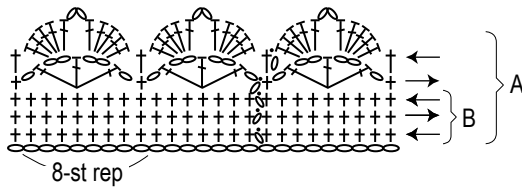
Back



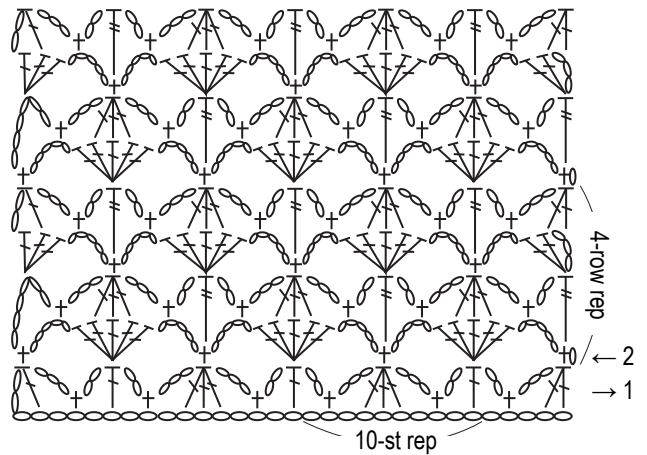
Front



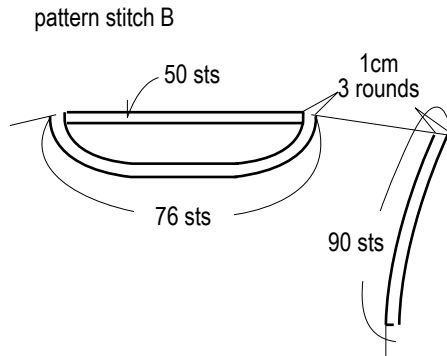
Edging A, B (2.3mm hook)



Pattern stitch (2.3mm hook)



Collar & cuffs (2.3mm hook)



Charts (2.3mm hook)

center back neckline

chart 2

shoulder

chart 3

