

# 22-23-15 Colorwork Sweater



## Suggested yarn:

- *original suggestion (now discontinued):*
  - Pierrot Yarns Cashmere Lamb's Wool [90% lambswool, 10% cashmere; 175 yds/160m per 1.76 oz./50g skein];
    - color 2211, 3 skeins [120g]
    - color 2212, 4 skeins [165g]
    - color 2221, 4 skeins [165g]
- *recommended substitute:*
  - Pierrot Yarns Fine Merino [100% extra fine merino; 103 yds/94m per 1.06 oz./30g skein];
    - color A, 4 skeins [120g]
    - color B, 6 skeins [165g]
    - color C, 6 skeins [165g]

## Tools/Notions:

- 3.3mm (approx. US 3) straight knitting needles or sizes necessary to achieve gauge
  - 3.3mm (approx. US 3) circular knitting needle or size necessary to achieve gauge
- OR**
- standard-gauge knitting machine (4.5mm needle pitch) with punchcard or electronic patterning

## Finished measurements:

- bust 92cm/36.22"
- cross back width 36cm/14.17"
- length 59cm/23.23"
- sleeve length 54cm/21.26"

## Gauge (10cm/4" square):

- stockinette stitch (stripes): 30 sts and 34 rows

*Gauge may vary according to individual knitting style. Change needle size if necessary to achieve gauge. Alternatively, rework pattern with your own gauge measurements.*

## Knitting Tips

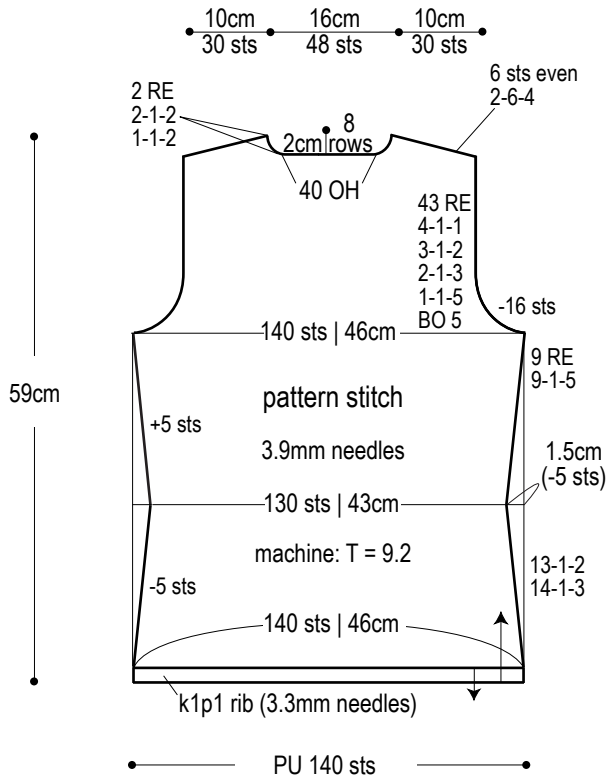
**Body:** Cast on with crochet provisional cast-on method and begin working in stranded stockinette stitch. Take care to carry stranded yarn behind work without pulling too hard and causing puckering. For shaping, increase with fully fashioned lifted increases (worked 1 stitch in from the edge). For decreases, bind off stitches where indicated and use k2tog or ssk. Pick up live stitches at hem and cuffs; work k1p1 ribbing.

**Finishing:** Seam shoulders with three-needle bind-off. Pick up stitches around neckline and work collar in the round in k1p1 ribbing. Seam sides and sleeve undersides with mattress stitch. Attach sleeves to body with slip stitch seam.

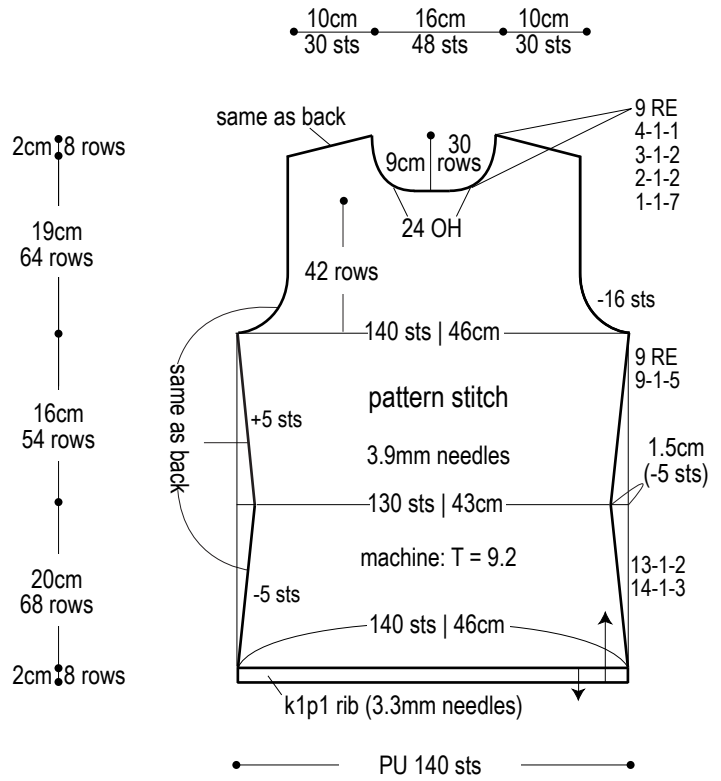
## Abbreviations:

BO = bind off  
OH = on hold (i.e., place stitches on stitch holder)  
PU = pick up  
RE = row(s) even  
T = tension dial setting  
# # # = rows-stitches-times

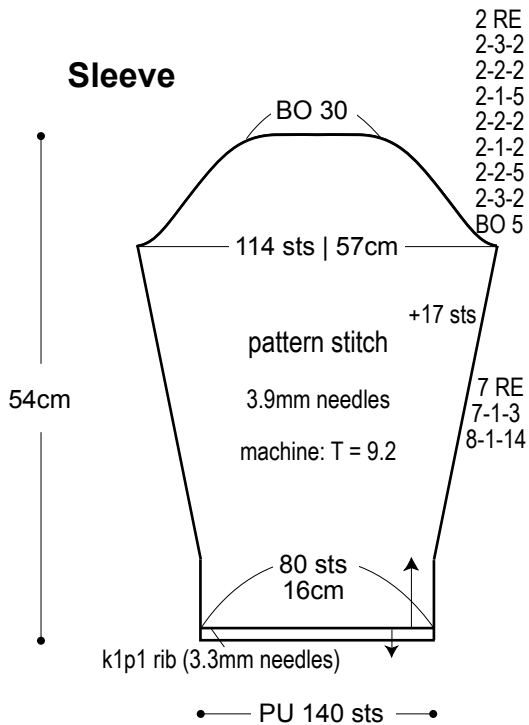
### Back



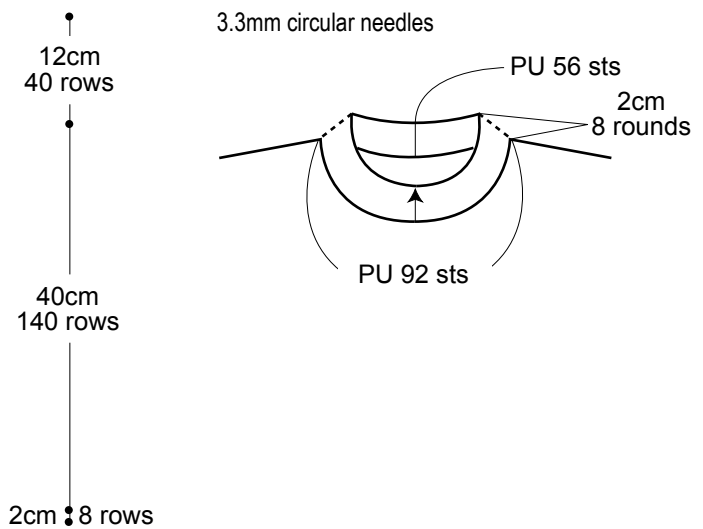
### Front



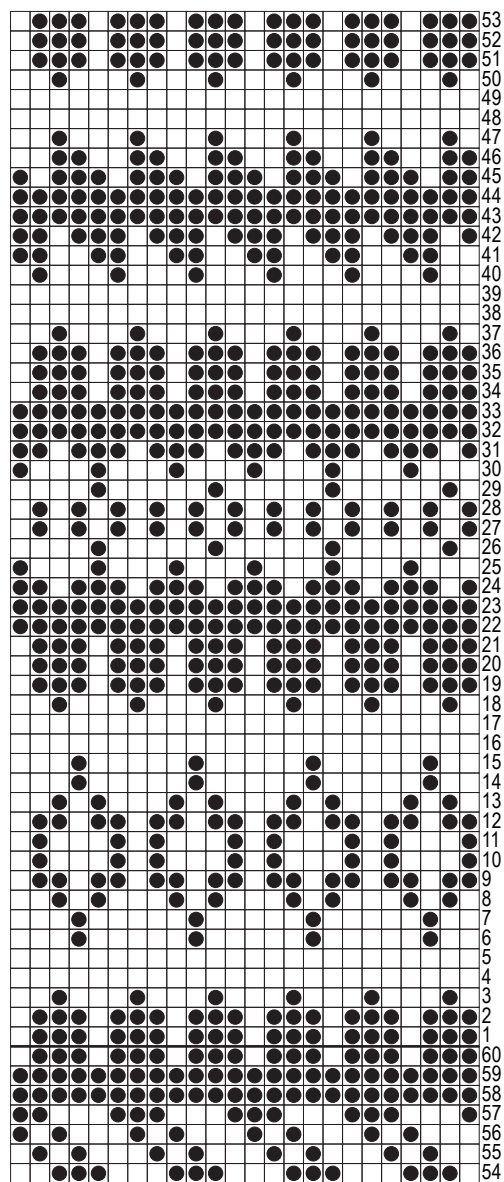
### Sleeve



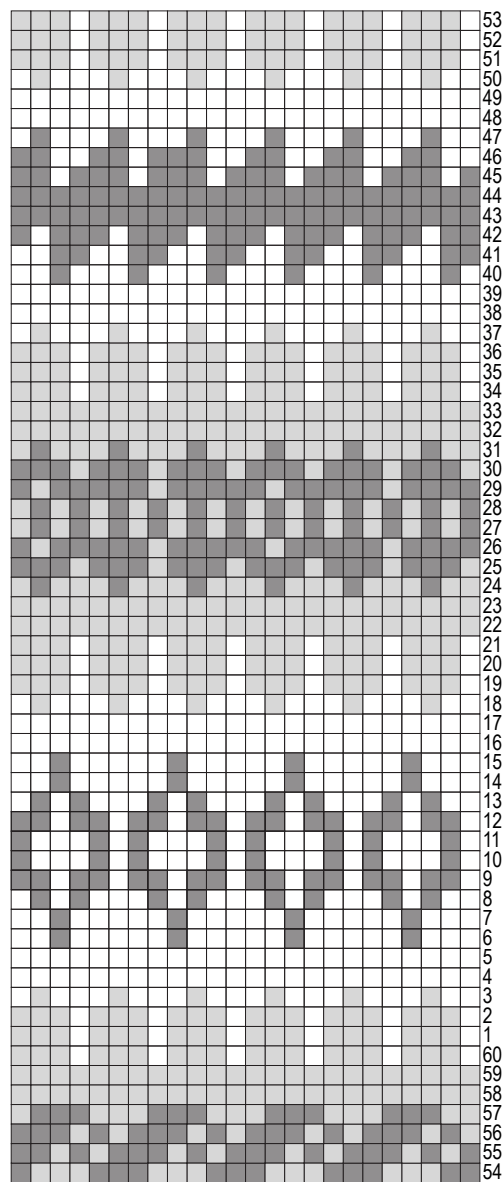
### Collar (k1p1 ribbing)



### Punchcard (stranded knitting)



### Pattern stitch (stranded; stockinette)



※ Suggested colors (Cashmere Lamb's Wool)

- = #2212
- (light gray) = #2222
- (dark gray) = #2211